

Ultimate Swinging French Door Arch Top

Standard Unit Measurements and Spring Line Measurements	1
Certified Sizes and Ratings/Minimum and Maximum Guidelines/Measurement Conversions	2
Net Clear Openings	3
Inswing Section Details: Operating	4
Inswing Section Details: Stationary and Sidelite	5
Inswing Section Details: Casing Options	6
Inswing Section Details: Standard and Ultimate Swinging Screens	7
Inswing Section Details: Flat Panel Placement	8
Inswing Section Details: Raised Panel Placement	9
Outswing Section Details: Operating	10
Outswing Section Details: Stationary and Sidelite	11
Outswing Section Details: Casing Options	12
Outswing Section Details: Flat Panel Placement	13
Outswing Section Details: Raised Panel Placement	14

Standard Unit Measurements and Spring Line Measurements

Standard Ultimate Inswing and Outswing Unit													
Measurements Width													
Unit Type	Call Number	Masonry Opening		Rough Opening		Frame Size		Panel OM		Daylight Opening		Glass Size	
		ft - in	mm	ft - in	mm	ft - in	mm	ft-in	mm	ft - in	mm	ft-in	mm
1 Panel	2-6	2-7 15/16	(811)	2-8 7/16	(824)	2-7 7/16	(799)	2-5 1/16	(738)	1-7 19/32	(498)	1-8 29/32	(531)
	2-8	2-9 15/16	(862)	2-10 7/16	(875)	2-9 7/16	(849)	2-7 1/16	(789)	1-9 19/32	(548)	1-10 29/32	(582)
	3-0	3-1 15/16	(964)	3-2 7/16	(976)	3-1 7/16	(951)	2-11 1/16	(891)	2-1 19/32	(650)	2-2 29/32	(683)
2 Panel	5-0	5-1 1/8	(1553)	5-1 5/8	(1565)	5-0 5/8	(1540)	2-5 1/16	(738)	1-7 19/32	(498)	1-8 29/32	(531)
	6-0	6-1 1/8	(1857)	6-1 5/8	(1870)	6-0 5/8	(1845)	2-11 1/16	(891)	2-1 19/32	(650)	2-2 29/32	(683)
Height													
Unit Type	Call Number	Masonry Opening		Rough Opening		Frame Size		Panel OM		Daylight Opening		Glass Size	
		ft - in	mm	ft - in	mm	ft - in	mm	ft-in	mm	ft - in	mm	ft - in	mm
All Configurations	6-8	6-10 1/4	(2089)	6-10 1/2	(2096)	6-10	(2083)	6-7	(2007)	5-6 1/8	(1680)	5-7 7/16	(1713)
	7-0	7-2 1/4	(2191)	7-2 1/2	(2197)	7-2	(2184)	6-11	(2108)	5-10 1/8	(1781)	5-11 7/16	(1815)
	8-0	7-11 3/4	(2432)	8-0	(2438)	7-11 1/2	(2426)	7-8 1/2	(2350)	6-7 5/8	(2022)	6-8 15/16	(2056)
	9-0	8-11 3/4	(2737)	9-0	(2743)	8-11 1/2	(2731)	8-8 1/2	(2654)	7-7 5/8	(2327)	7-8 15/16	(2361)

RT6 - Spring Line Measurements									
RO Radius Width for X = 3 - 4 1/2" (1029)									
RO Radius Width for XX = 6- 0 1/2" (1842)									
CN	Rough Opening		Rough Opening Springline		Frame Size		Frame Size Springline		
	ft-in	mm	ft-in	mm	ft-in	mm	ft-in	mm	
2668	6-10 1/2	(2096)	6-7 1/8	(2010)	6-10	(2083)	6-6 25/32	(2001)	
2670	7-2 1/2	(2197)	6-11 1/8	(2111)	7-2	(2184)	6-10 25/32	(2103)	
2680	8-0	(2438)	7-8 5/8	(2353)	7-11 1/2	(2426)	7-8 9/32	(2344)	
2690	9-0	(2743)	8-8 5/8	(2657)	8-11 1/2	(2731)	8-8 9/32	(2649)	
2868	6-10 1/2	(2096)	6-6 11/16	(1999)	6-10	(2083)	6-6 11/32	(1990)	
2870	7-2 1/2	(2197)	6-10 11/16	(2100)	7-2	(2184)	6-10 11/32	(2091)	
2880	8-0	(2438)	7-8 3/16	(2342)	7-11 1/2	(2426)	7-7 27/32	(2333)	
3068	6-10 1/2	(2096)	6-5 5/8	(1972)	6-10	(2083)	6-5 11/32	(1965)	
3070	7-2 1/2	(2197)	6-9 5/8	(2073)	7-2	(2184)	6-9 11/32	(2066)	
3080	8-0	(2438)	7-7 1/8	(2315)	7-11 1/2	(2426)	7-6 27/32	(2308)	
3090	9-0	(2743)	8-7 1/8	(2619)	8-11 1/2	(2731)	8-6 27/32	(2612)	
5068	6-10 1/2	(2096)	6-3 5/8	(1921)	6-10	(2083)	6-3 5/16	(1913)	
5070	7-2 1/2	(2197)	6-7 5/8	(2022)	7-2	(2184)	6-7 5/16	(2014)	
5080	8-0	(2438)	7-5 1/8	(2264)	7-11 1/2	(2426)	7-4 13/16	(2256)	
5090	9-0	(2743)	8-5 1/8	(2569)	8-11 1/2	(2731)	8-4 13/16	(2561)	
6068	6-10 1/2	(2096)	6-0 7/16	(1840)	6-10	(2083)	6-0 11/64	(1833)	
6070	7-2 1/2	(2197)	6-4 7/16	(1942)	7-2	(2184)	6-4 11/64	(1935)	
6080	8-0	(2438)	7-1 15/16	(2183)	7-11 1/2	(2426)	7-1 43/64	(2176)	
6090	9-0	(2743)	8-1 15/16	(2488)	8-11 1/2	(2731)	8-1 43/64	(2481)	

Certified Sizes and Ratings/Minimum and Maximum Guidelines/Measurement Conversions

Certified Sizes and Ratings - Ultimate Inswing French Door Arch Top with Multi-Point and Adjustable Hinges				
Panel Height	Number of Panels	Panel Call Number		
		2-6	2-8	3-0
6-8	1	LC - PG40 - SHD	LC - PG40 - SHD	LC - PG40 - SHD
7-0	1	LC - PG40 - SHD	LC - PG40 - SHD	LC - PG40 - SHD
8-0	1	LC - PG40 - SHD	LC - PG40 - SHD	LC - PG40 - SHD
6-8	2	LC - PG40 - SHD	LC - PG40 - SHD	LC - PG40 - SHD
7-0	2	LC - PG40 - SHD	LC - PG40 - SHD	LC - PG40 - SHD
8-0	2	LC - PG40 - SHD	LC - PG40 - SHD	LC - PG40 - SHD

Minimum and Maximum Guidelines									
Unit Type		Min Frame Size Unit				Max Frame Size Unit			
		Width		Height		Width		Height	
		in	mm	in	mm	in	mm	in	mm
1 - Panel Stationary		27 1/16	(687)	21 9/16	(548)	37 7/16	(951)	107 1/2	(2731)
1 - Panel Operator	Mortise Lock	27 1/16	(687)	56 35/64	(1436)	37 7/16	(951)	86	(2184)
	Multi-Point	27 1/16	(687)	71 59/64	(1827)	37 7/16	(951)	107 1/2	(2731)
2 - Panel Operator	Mortise Lock	51 7/8	(1318)	54 15/16	(1395)	72 5/8	(1845)	86	(2184)
	Multi-Point	51 7/8	(1318)	70 5/16	(1786)	72 5/8	(1845)	107 1/2	(2731)

Oversized Maximum Guidelines					
Unit Type		Max Frame Size Unit			
		Width		Height	
		in	mm	in	mm
1 - Panel Stationary	Multi-Point	50 3/8	(1280)	113 1/2	(2883)
1 - Panel Operator	Multi-Point	43 7/16	(1103)	113 1/2	(2883)
2 - Panel Operator	Multi-Point	84 5/8	(2149)	113 1/2	(2883)

Unit Measurements		Width				Height	
From	To	in	mm			in	mm
Rough Opening		in	mm			in	mm
OM of Frame	Rough Opening	+ 1	(25)			+ 1/2	(13)
Masonry Opening	Rough Opening	+ 1/2	(13)			+ 1/4	(06)
Masonry Opening w/BMC	Rough Opening	-2 1/8	(54)			-1 1/16	(27)
Masonry Opening w/Flat Casing	Rough Opening	-5 1/2	(140)			-2 3/4	(70)
Operating Panel		in	mm			in	mm
OM of Frame	OM of Panel (x1)	-2 3/8	(60)			-3	(76)
OM of Frame	OM of Panel (x2)	-2 1/2	(64)	÷	2	-3	(76)
Daylight Opening	OM of Panel	+ 9 15/32	(241)			+ 12 7/8	(327)
Glass		in	mm			in	mm
Daylight Opening	Glass	+ 1 5/16	(33)			+ 1 5/16	(33)

NOTE:

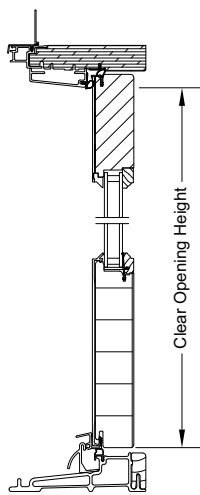
- 1-Panel Standard R.O. Radius 40 1/2" (1029) 2-Panel Standard R.O. Radius 72 1/2" (1842)

Net Clear Openings

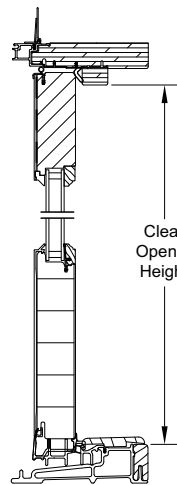
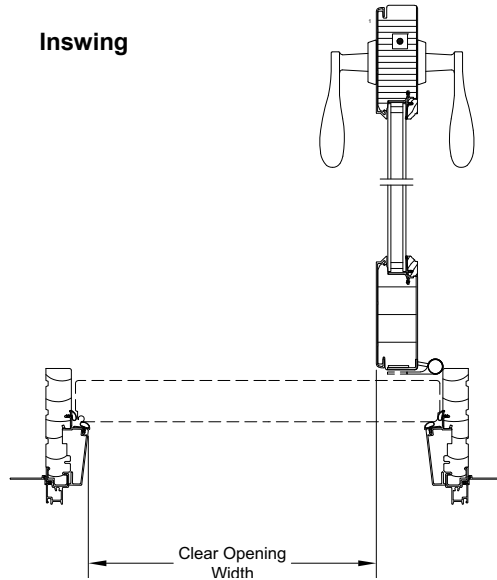
Scale: 1 1/2" = 1'

Net Clear Opening Ultimate Wood Inswing French Door Arch Top			
Width			
Unit Type	Call Number	Net Clear Openings	
		ft-in	mm
1 Panel	2-6	2-1 31/32	(660)
	2-8	2-3 31/32	(710)
	3-0	2-7 31/32	(812)
2 Panel	5-0	4-5 3/16	(1351)
	6-0	5-5 3/16	(1656)
Height			
Unit Type	Call Number	Net Clear Openings	
		ft - in	mm
All Configurations At Springline	6-8	6-6 7/32	(1987)
	7-0	6-10 7/32	(2088)
	8-0	7-7 23/32	(2329)
	9-0	8-7 23/32	(2634)

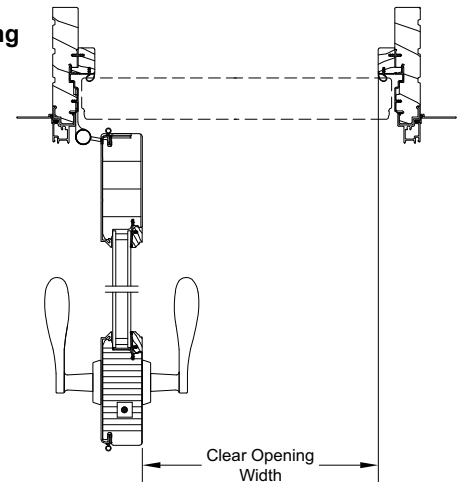
Net Clear Opening Ultimate Wood Outswing French Door Arch Top			
Width			
Unit Type	Call Number	Net Clear Openings	
		ft-in	mm
1 Panel	2-6	2-1 31/32	(660)
	2-8	2-3 31/32	(710)
	3-0	2-7 31/32	(812)
2 Panel	5-0	4-5 3/16	(1351)
	6-0	5-5 3/16	(1656)
Height			
Unit Type	Call Number	Net Clear Openings	
		ft - in	mm
All Configurations At Springline	6-8	6-6 5/8	(1997)
	7-0	6-10 5/8	(2099)
	8-0	7-8 1/8	(2340)
	9-0	8-8 1/8	(2645)



Inswing

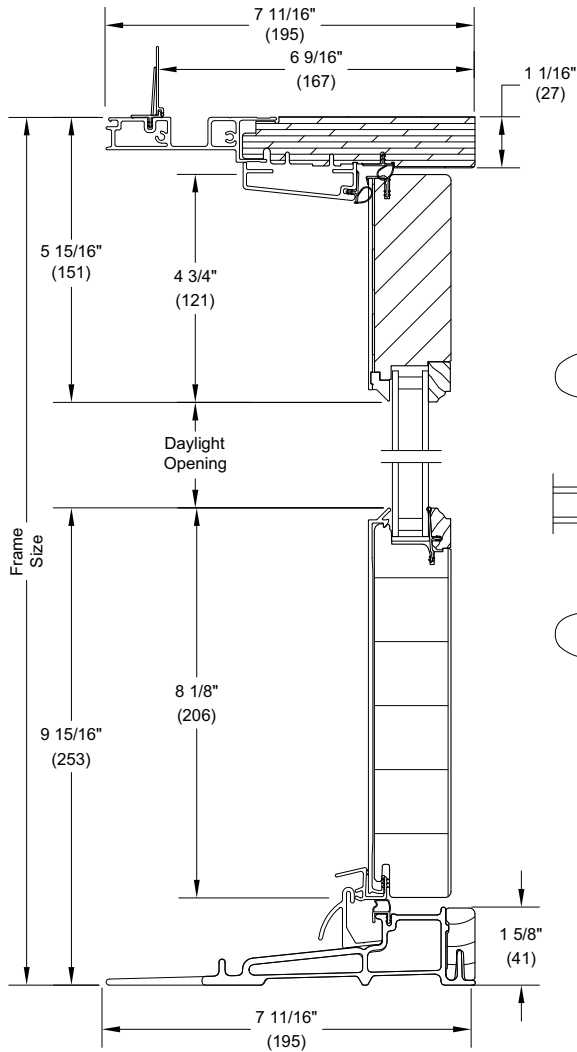


Outswing

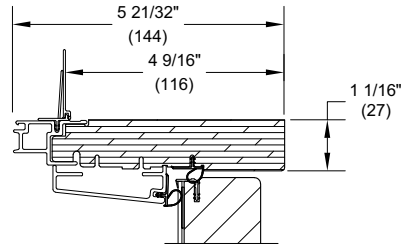


Inswing Section Details: Operating

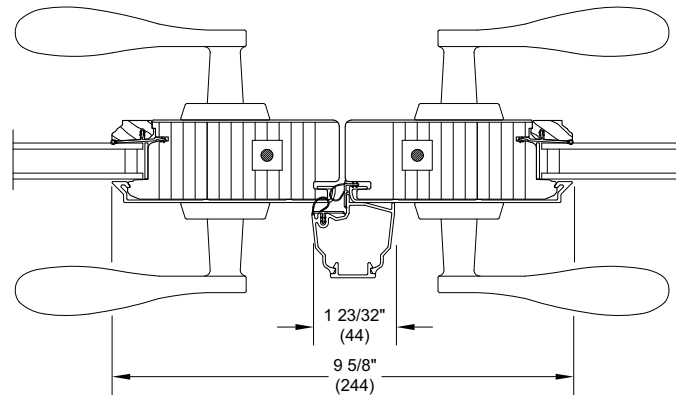
Scale: 3" = 1' 0"



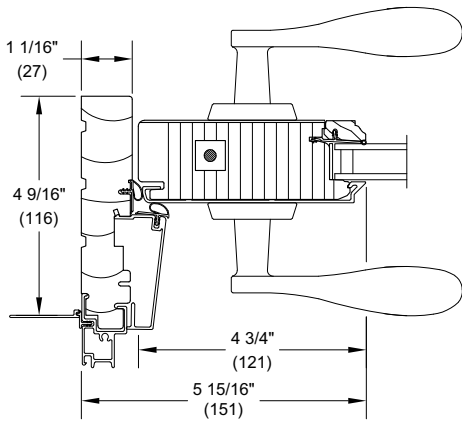
Head Jamb and Sill



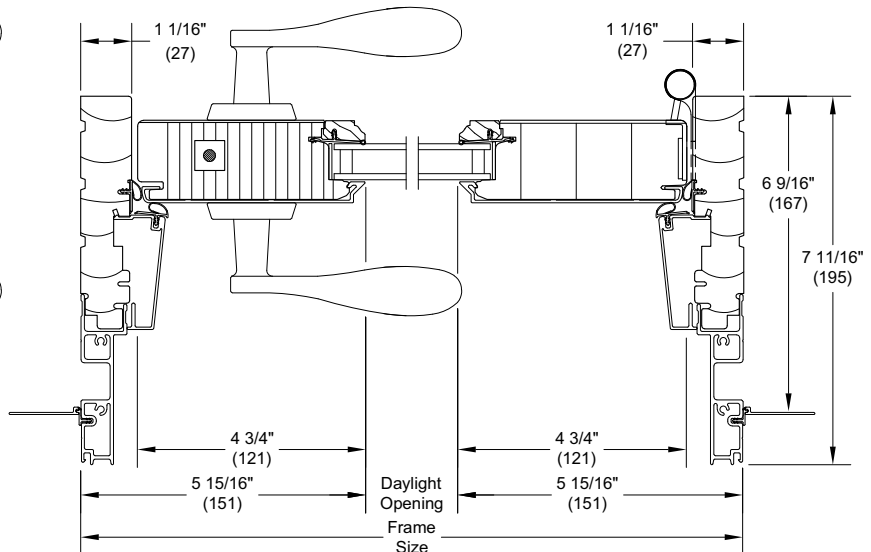
4 9/16" Head Jamb



XX L Meeting Stiles



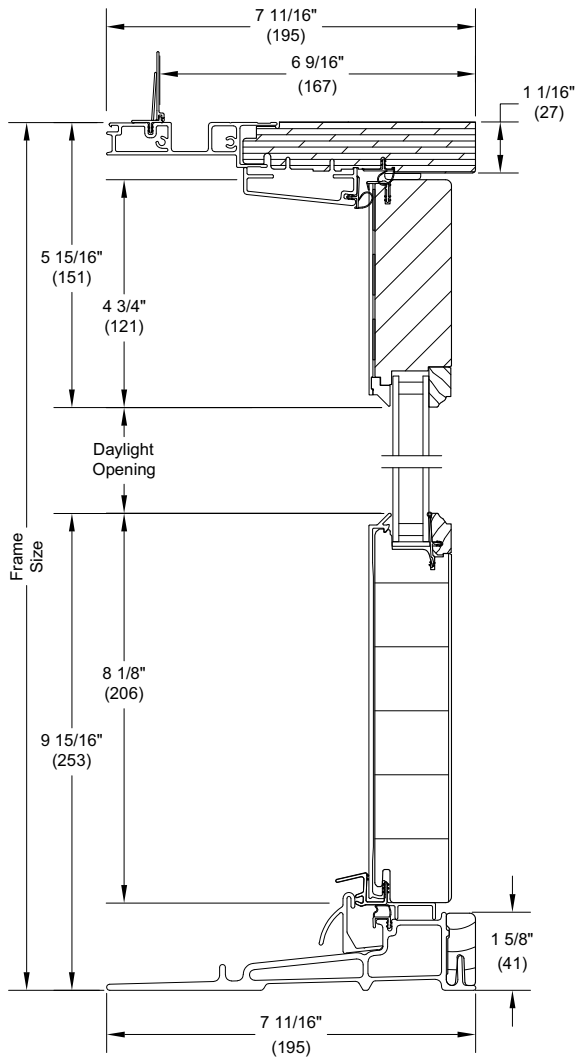
4 9/16" Jamb



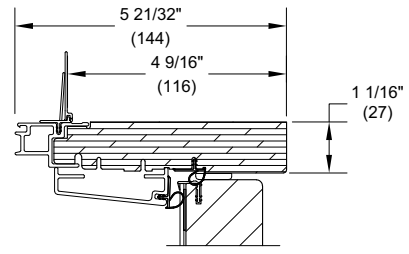
X R Jamb

Inswing Section Details: Stationary and Sidelite

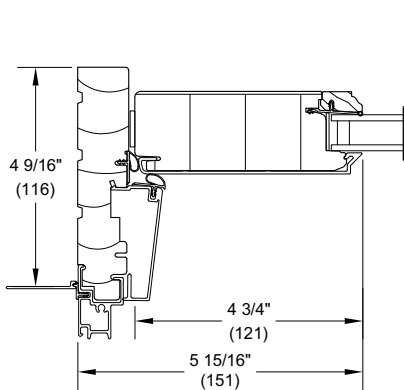
Scale: 3" = 1' 0"



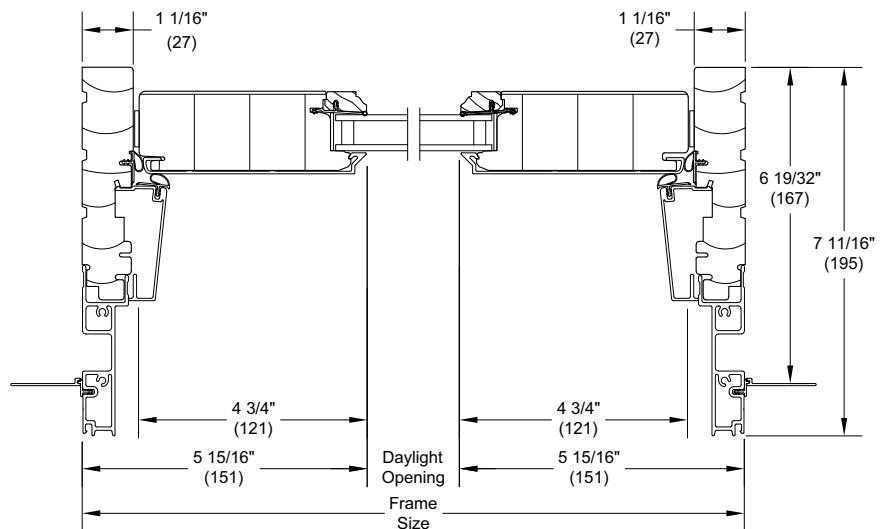
Head Jamb and Sill



4 9/16" Head Jamb



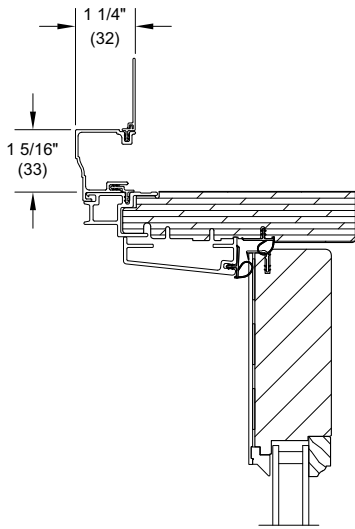
4 9/16" Jamb



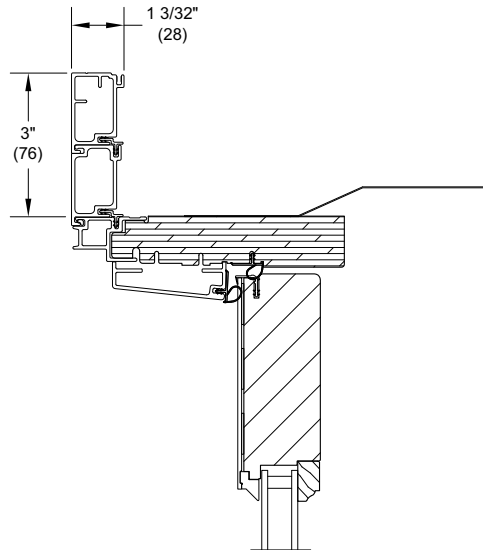
O Jamb

Inswing Section Details: Casing Options

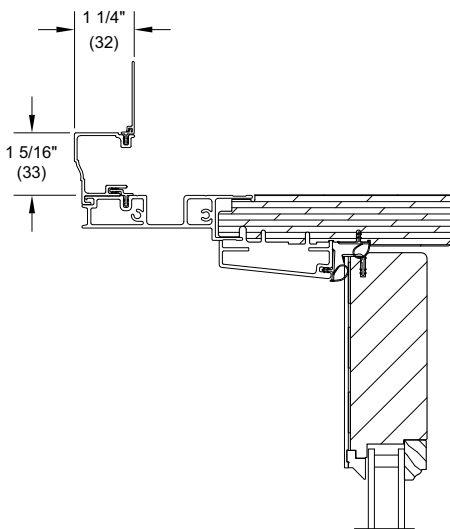
Scale: 3" = 1' 0"



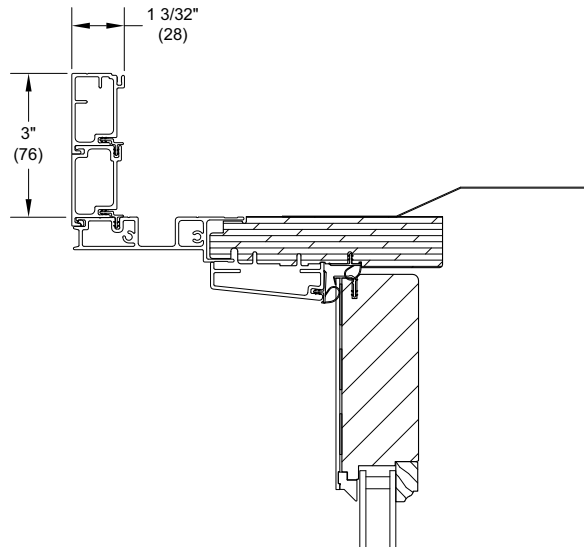
**4 9/16" Head Jamb with
Clad Brick Mould Casing**



**4 9/16" Head Jamb with
Clad Flat Casing**



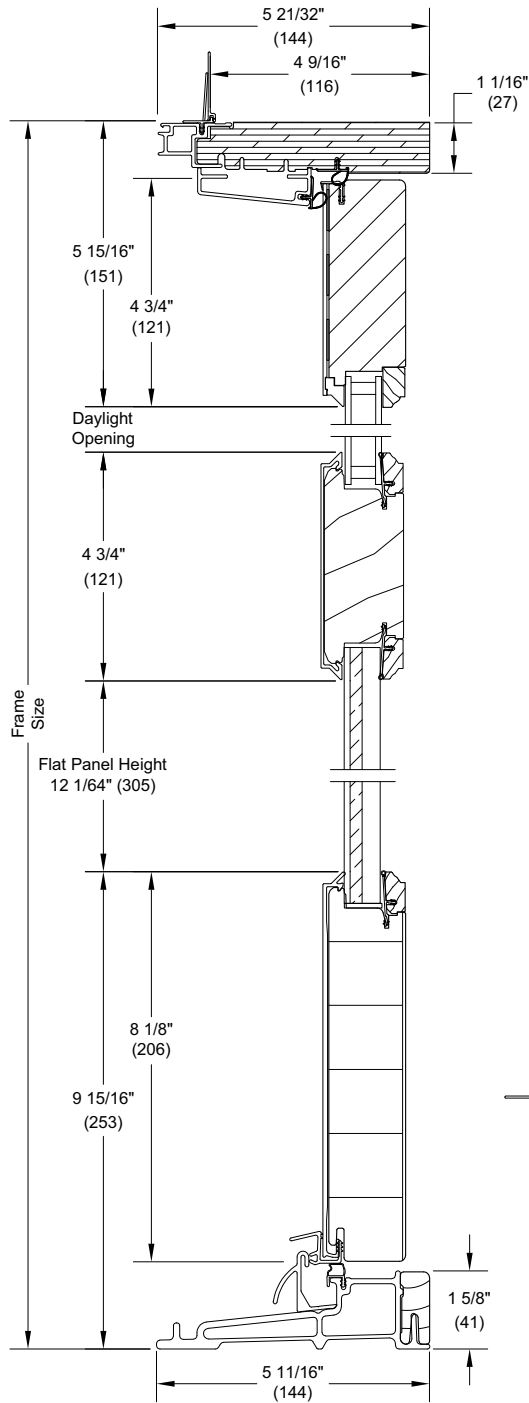
**6 9/16" Head Jamb with
Clad Brick Mould Casing**



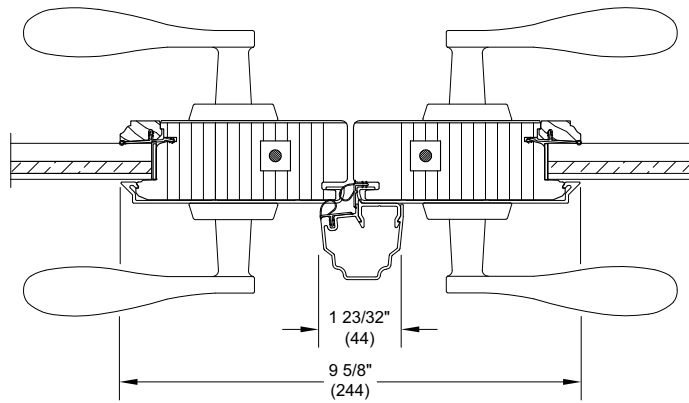
**6 9/16" Head Jamb with
Clad Flat Casing**

Inswing Section Details: Flat Panel Placement

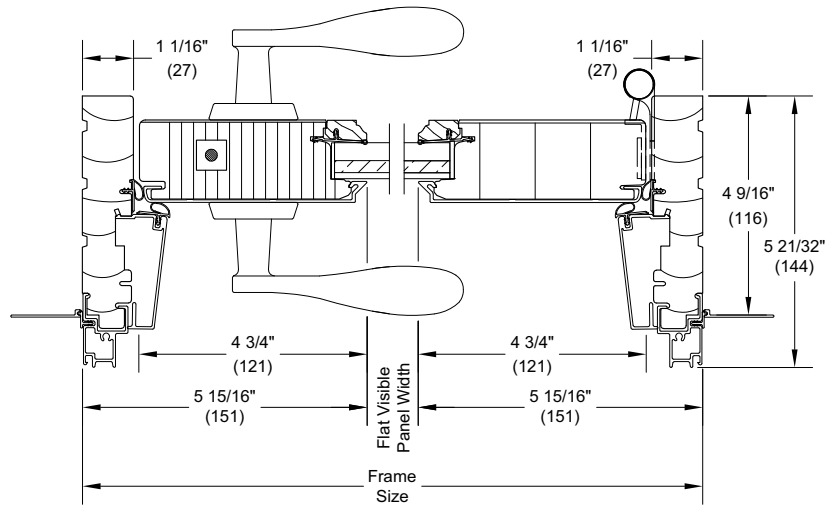
Scale: 3" = 1' 0"



Head Jamb and Sill



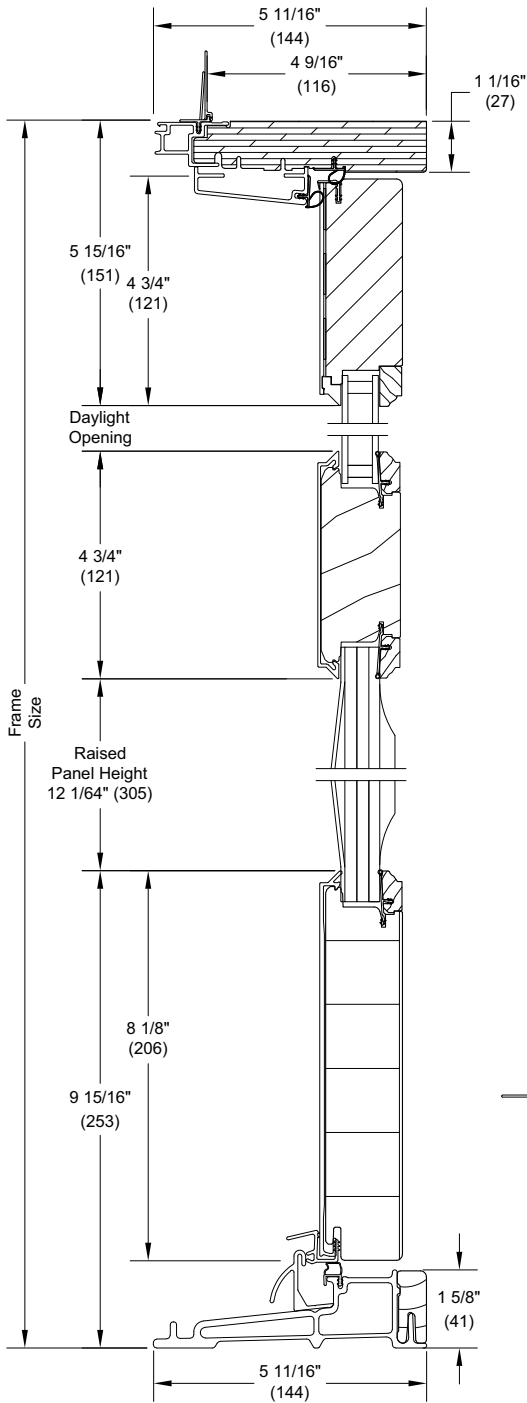
XX L Meeting Stiles



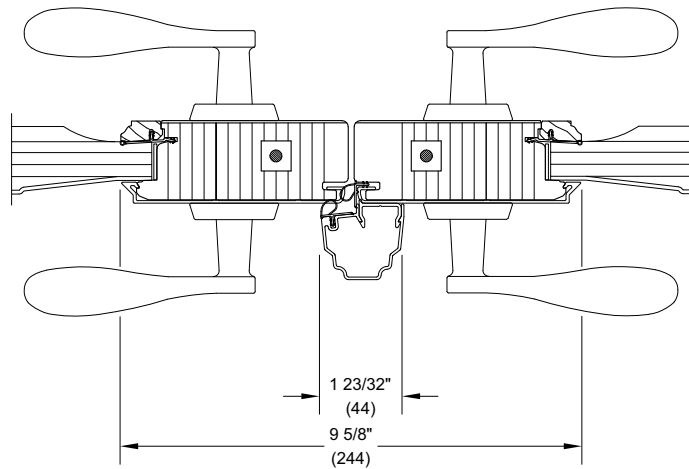
X R Jamb

Inswing Section Details: Raised Panel Placement

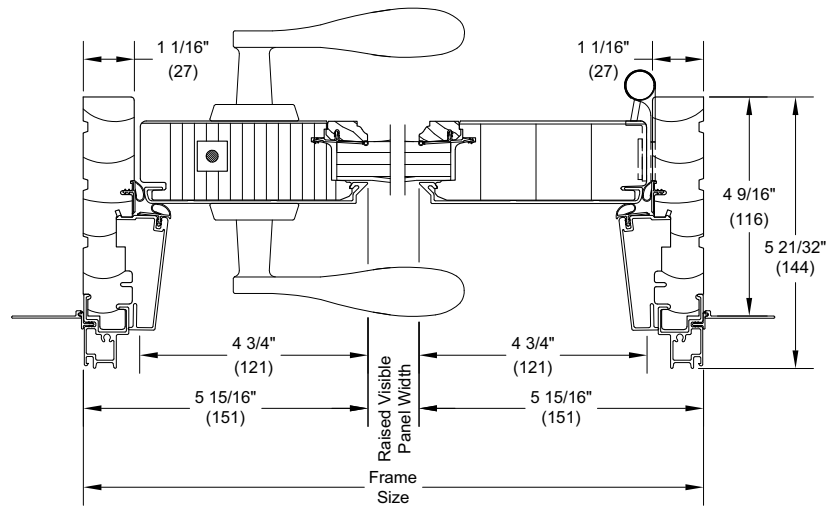
Scale: 3" = 1' 0"



Head Jamb and Sill



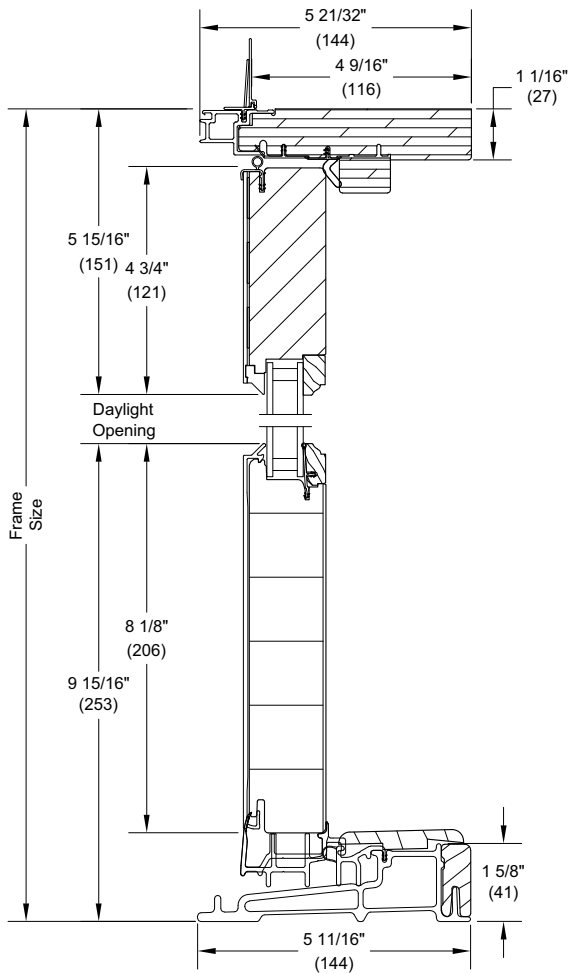
XX L Meeting Stiles



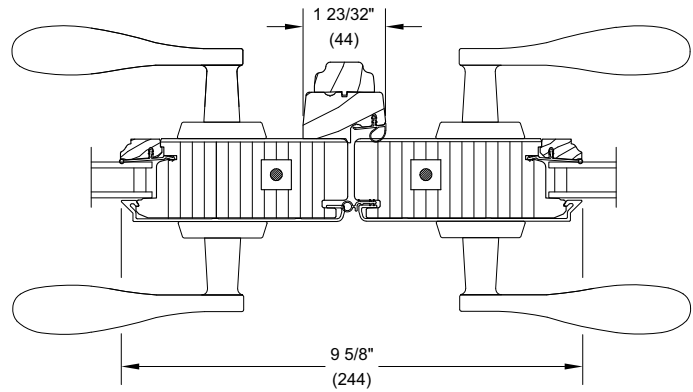
X R Jamb

Outswing Section Details: Operating

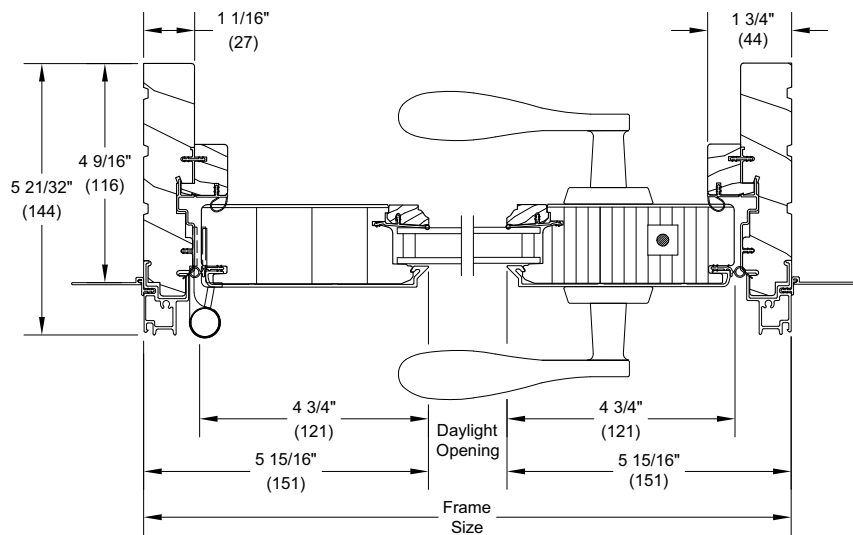
Scale: 3" = 1' 0"



Head Jamb and Sill



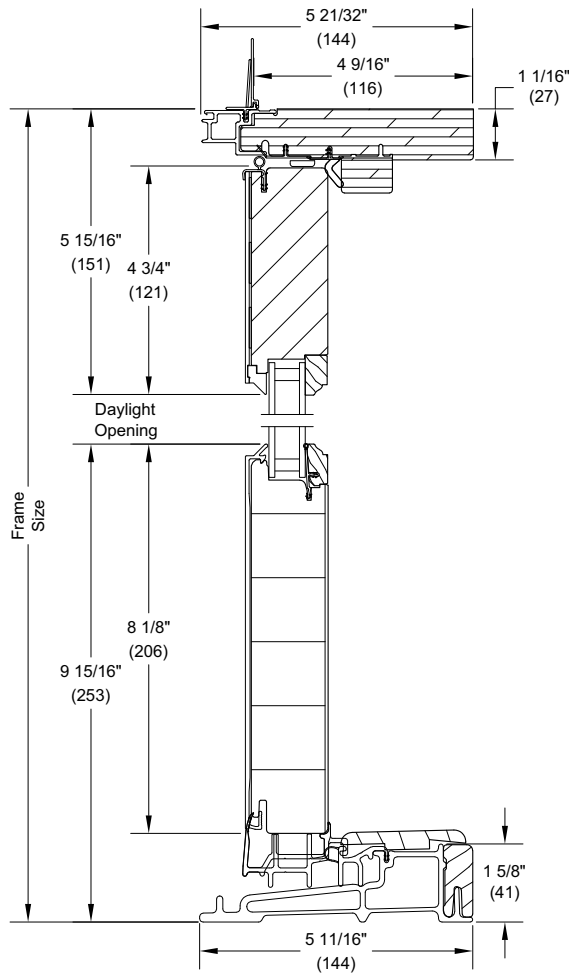
XX L - Meeting Stiles



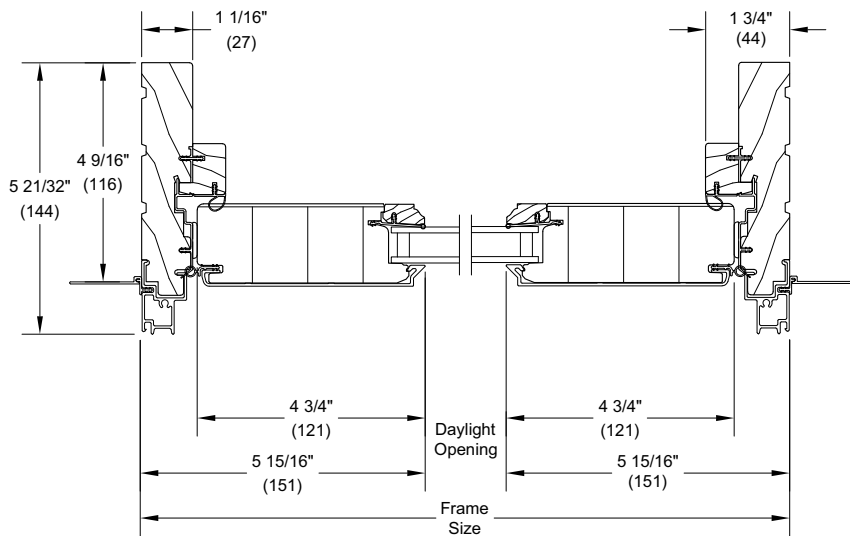
X R - Jamb

Outswing Section Details: Stationary and Sidelite

Scale: 3" = 1' 0"



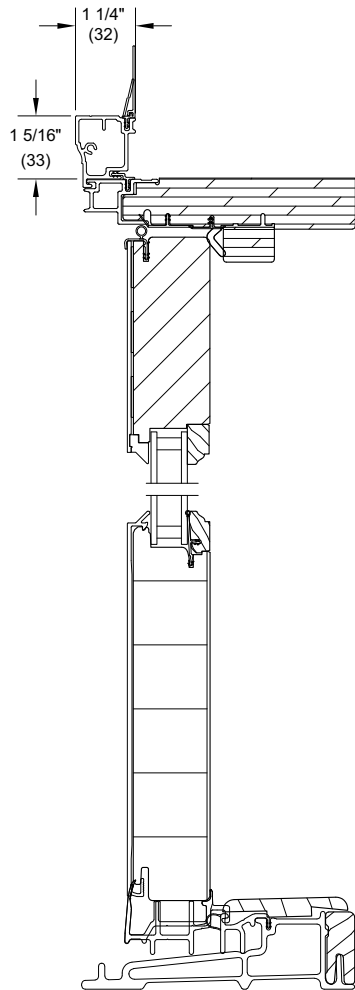
Head Jamb and Sill



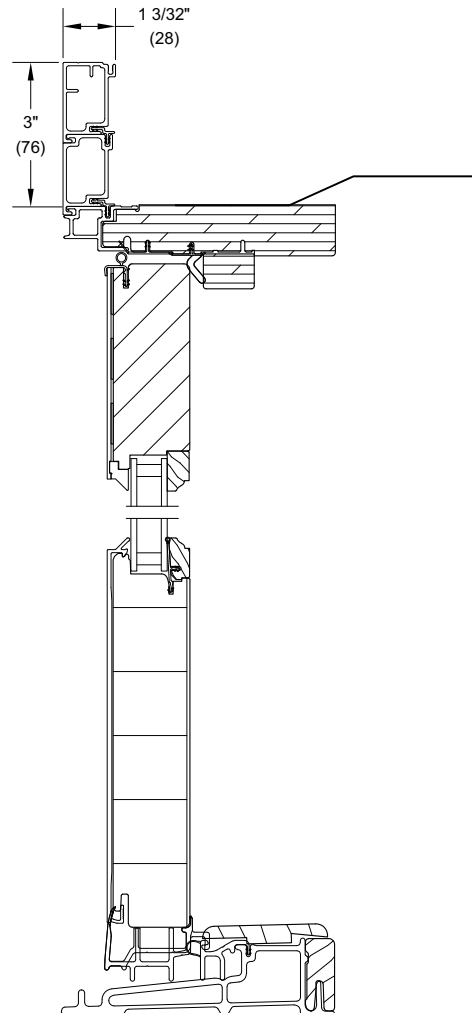
O - Jamb

Outswing Section Details: Casing Options

Scale: 3" = 1' 0"



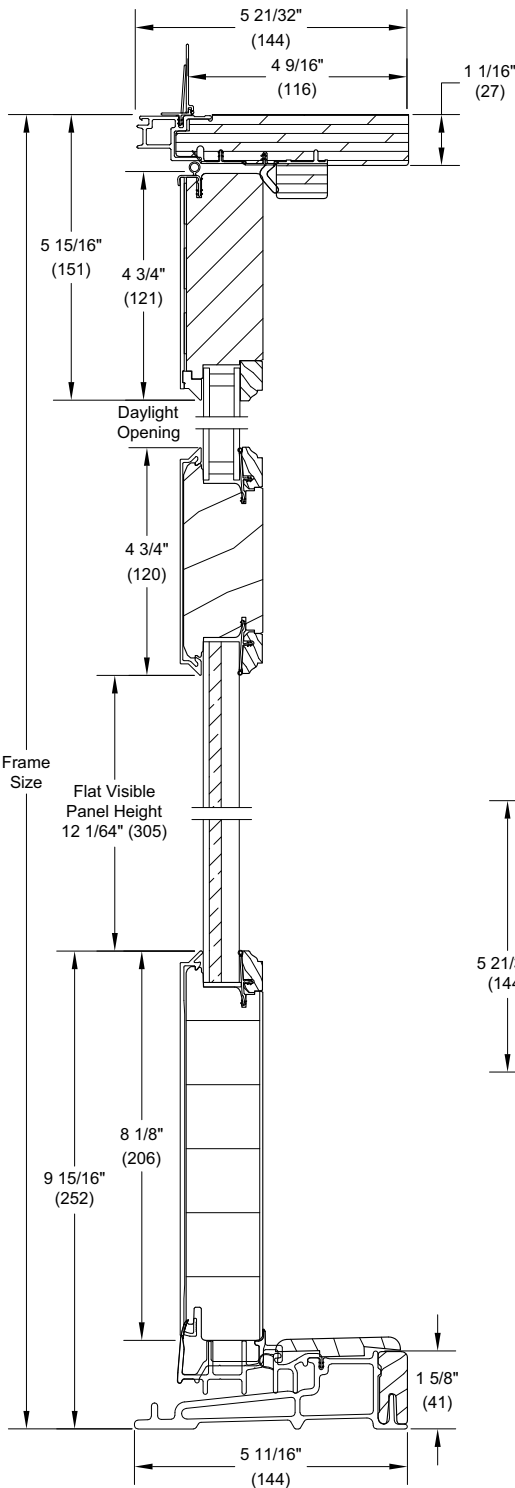
Head Jamb and Sill
with Clad Brick Mould Casing
4 9/16" Jamb Depth



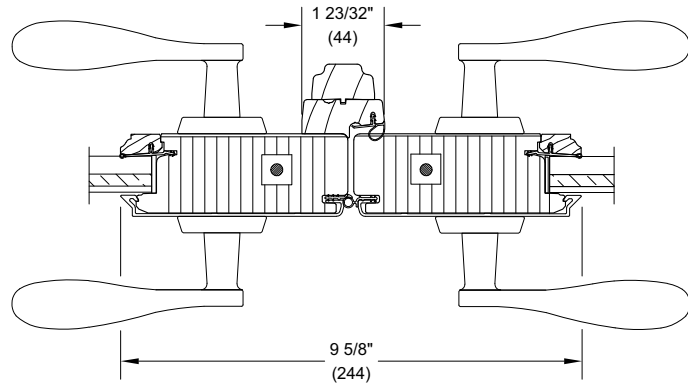
Head Jamb and Sill
with Clad Flat Casing
4 9/16" Jamb Depth

Outswing Section Details: Flat Panel Placement

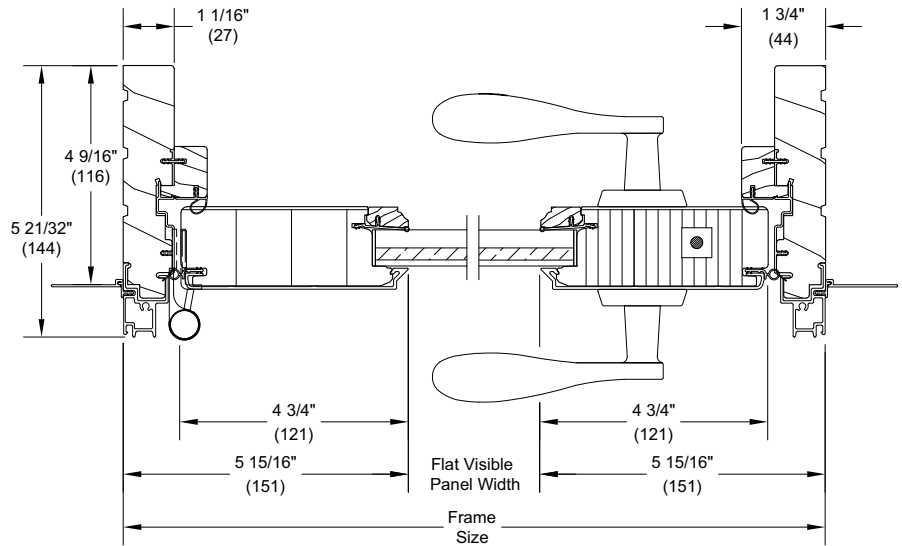
Scale: 3" = 1' 0"



Head Jamb and Sill



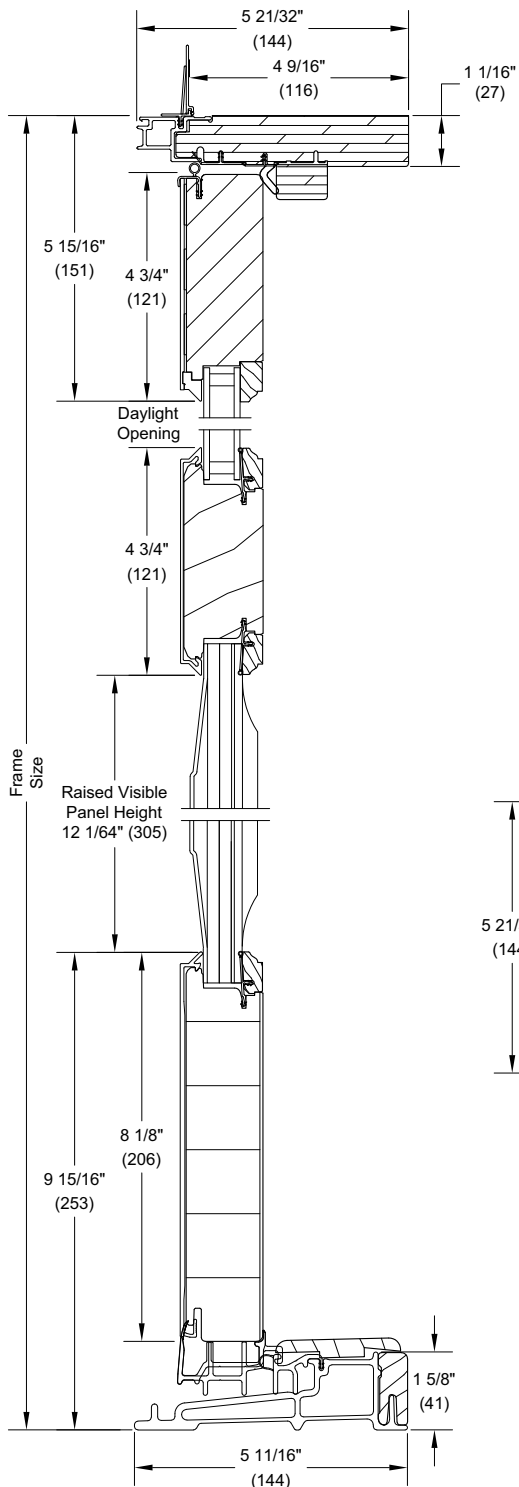
XX L - Meeting Stiles



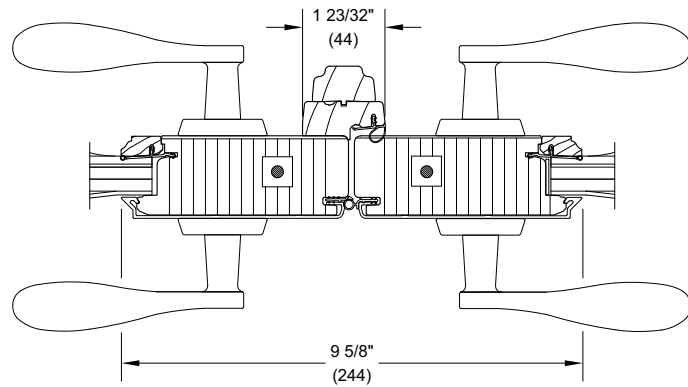
X R - Jamb

Outswing Section Details: Raised Panel Placement

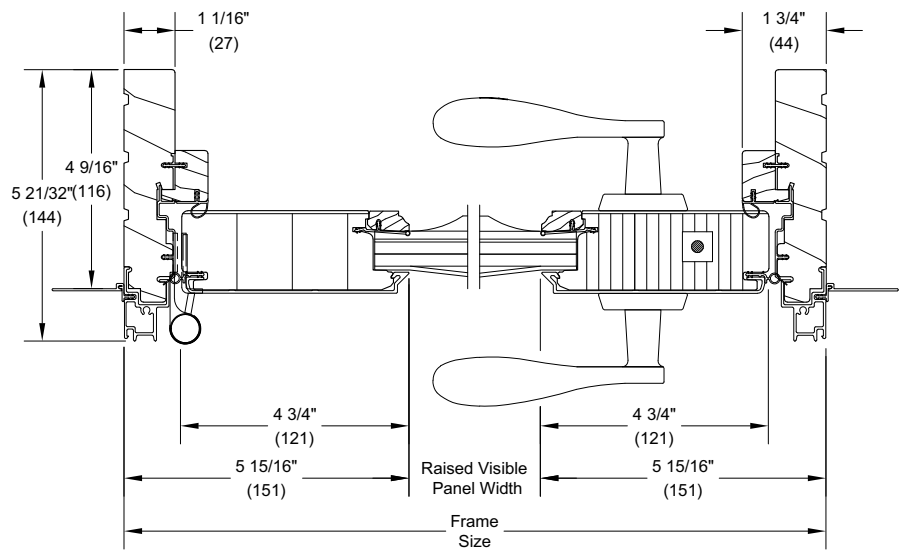
Scale: 3" = 1' 0"



Head Jamb and Sill



XX L - Meeting Stiles



XR - Jamb