

Modern Direct Glaze

Unit Features: Modern Direct Glaze Rectangle and Polygon.....	1
Modern Direct Glaze Polygon Shape Reference	3
Divided Lite Options	4
Minimum and Maximum Guidelines: Modern Direct Glaze Polygon	5
Certified Sizes and Ratings	6
Measurement Conversions: Modern Direct Glaze Polygon	7
Slope To Angle and Angle to Pitch Conversion - Modern Direct Glaze Polygon	8
Section Details: Modern Direct Glaze - Rectangle (Dual-Pane).....	9
Section Details: Modern Direct Glaze - Rectangle (Triple-Pane).....	10
Section Details: Modern Direct Glaze - Polygon (Dual-Pane).....	11
Section Details: Modern Direct Glaze - Polygon (Triple-Pane)	12
Section Details: Modern Direct Glaze - Simulated Frame Divider (Dual-Pane)	13
Section Details: Modern Direct Glaze - Mullions	14
Section Details: Modern Direct Glaze Corner Units	15

Unit Features: Modern Direct Glaze Rectangle and Polygon

Modern Direct Glaze Polygon: MDGPOLY

Modern Direct Glaze Rectangle/Square: MDGRECT

Modern Direct Glaze Corner Unit: MDGCNR

Frame:

- High-Density Fiberglass exterior with aluminum interior covers
- Jamb Depth: 4 1/2" (114)
- Frame thickness: 1 7/16" (37)
- Minimum frame angle 15°
- Vinyl Nailing Fin: 2" (51)
- Optional Frame Filler
- For corner units, rectangle only.

Glass and Glazing:

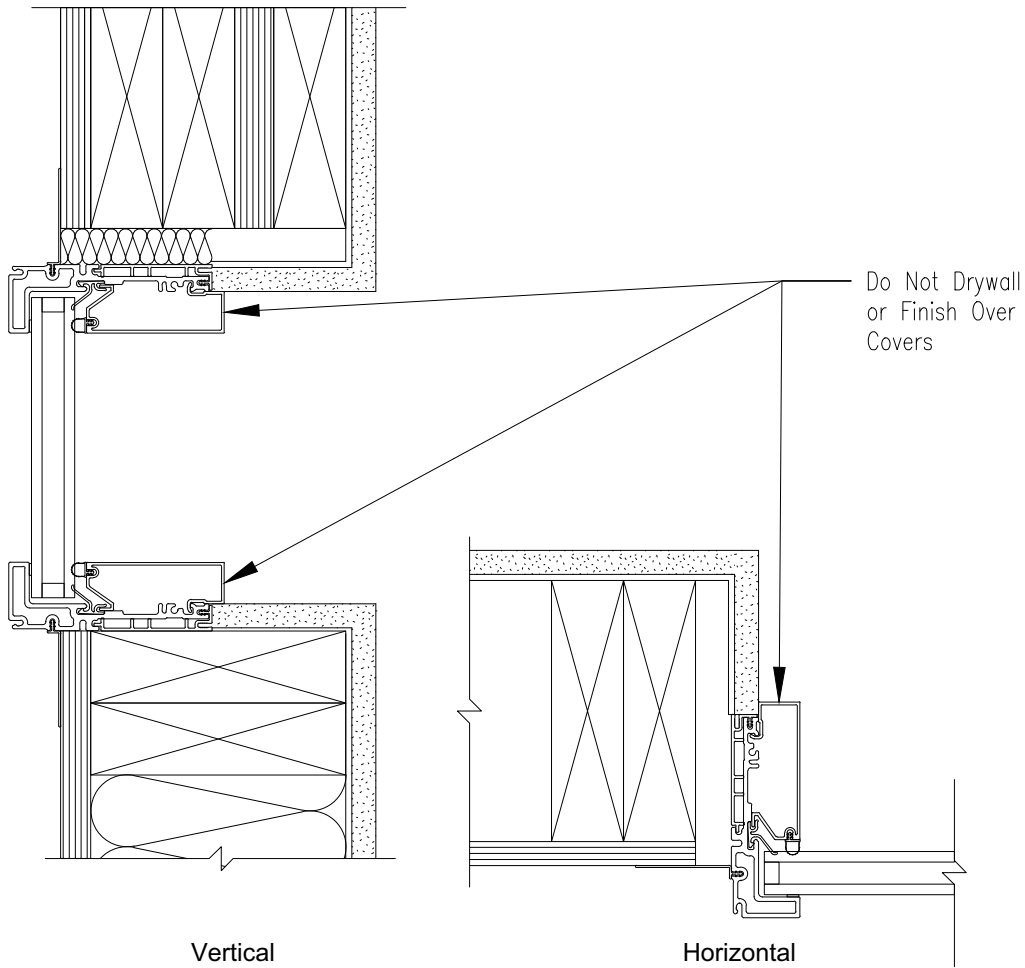
- All glass is of select quality complying with commercial industry standards.
- Preserve film applied on interior and exterior panes.
- Glazing seal: Black silicone beading, exterior
- Dual-pane insulating glass thickness: 15/16" (23) or 1 1/4" (32).
- Triple-pane insulating glass thickness: 1 1/4" (32) or 1 9/16" (40).
 - 1 9/16" (40) not available on corner units.
- Insulating Glass Coatings: Low E1, Low E2, Low E3, Low ERS, Low ELR
- Gas Fill: Air, Argon
- Other Available Glass Types: Laminated, Tempered, Tints (Gray or Bronze, Obscure, Frost)
- Glass panes are based on overall unit size and may be 3.1, 3.9, 4.7, 5.7 and 8.0 mm thicknesses
- Low ELR units to 5.7mm sizes and below
- Tint limited to 5.7mm pane thickness and 15/16" glass make-up.
- Frost is limited to 5.7mm and 3.9mm pane thicknesses
- Obscure (Pattern 62) glass is limited to 4.7mm pane thickness and below
- Black Spacer Bar
 - Black Stainless Steel Spacer on shapes with angles greater than 45 degrees
 - Black Aluminum spacer on shapes with angle less than 45 degrees

Unit Features: Modern Direct Glaze Rectangle and Polygon**Mulling Options:**

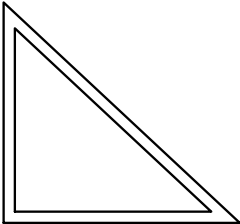
- For mull performance, refer to the General Mulling chapter of the ADM.
- For corner units, only available with a ribbon mull.

Installation Instructions:

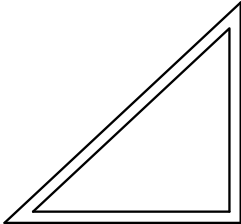
- Do not drywall/finish over interior covers so they can be removed if service is needed.



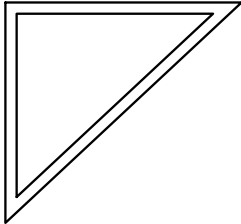
Modern Direct Glaze Polygon Shape Reference



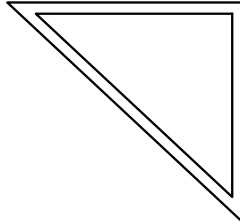
Triangle P3-1



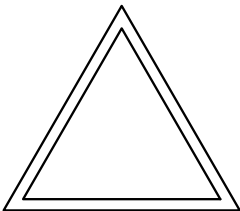
Triangle P3-2



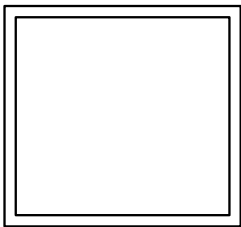
Triangle P3-3



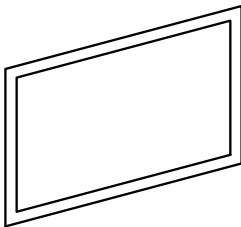
Triangle P3-4



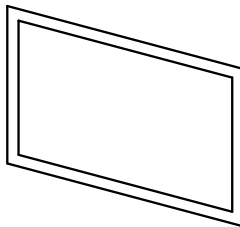
Triangle P3-5



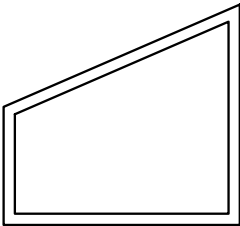
Rect/Square P4-0



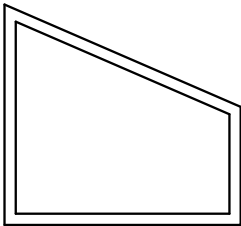
Trapezoid P4-3



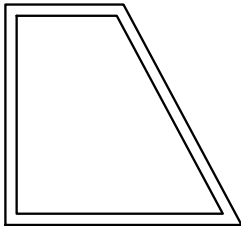
Trapezoid P4-4



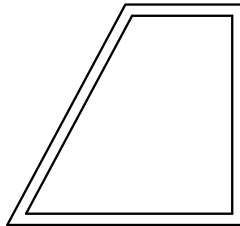
Trapezoid P4-5



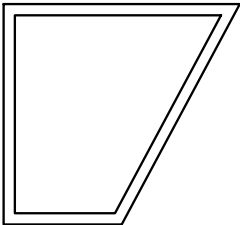
Trapezoid P4-6



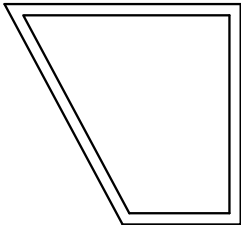
Trapezoid P4-7



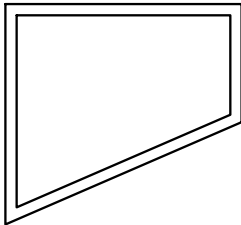
Trapezoid P4-8



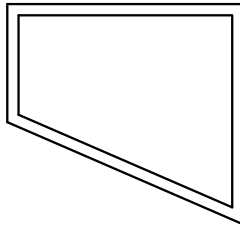
Trapezoid P4-9



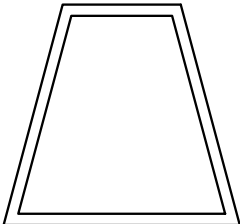
Trapezoid P4-10



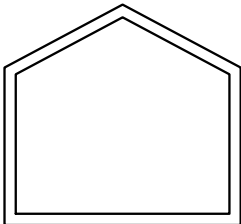
Trapezoid P4-11



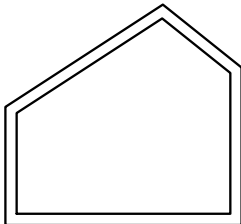
Trapezoid P4-12



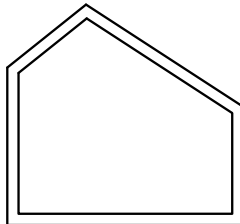
Trapezoid P4-13



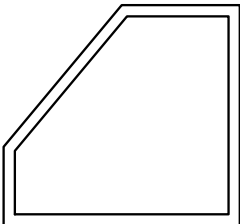
Pentagon P5-1



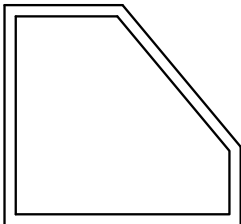
Pentagon P5-5



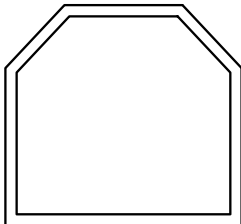
Pentagon P5-6



Pentagon P5-13



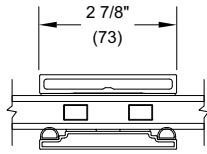
Pentagon P5-14



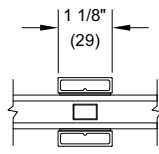
Hexagon P6-5

NOTE: Corner units only available with Rectangle/Square legs.
Please contact your Marvin representative for availability and more information.

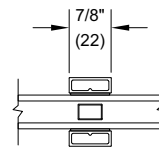
Divided Lite Options



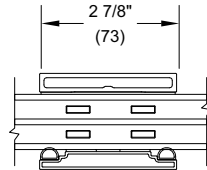
2 7/8" SDL
15/16" Dual Pane



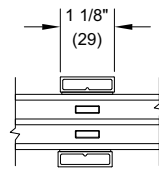
1 1/8" SDL
15/16" Dual Pane



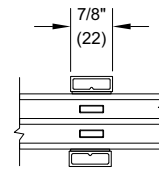
7/8" SDL
15/16" Dual Pane



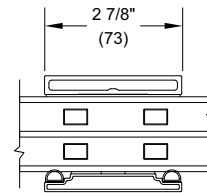
2 7/8" SDL
1 1/4" Tripane



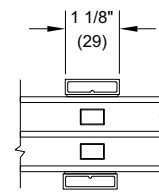
1 1/8" SDL
1 1/4" Tripane



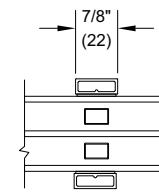
7/8" SDL
1 1/4" Tripane



2 7/8" SDL
1 9/16" Tripane



1 1/8" SDL
1 9/16" Tripane



7/8" SDL
1 9/16" Tripane

NOTE: SDL is not available on P4-3 and P4-4 shapes.

SDL is not available on corner units.

Due to the inherent qualities of tempered glass, daylight gaps may be seen when using simulated divided lite bars.

Daylight gaps could be visible between the internal spacer bar and surface applied bars when viewing from an acute angle to the glass on the following applications:

- Tempered glass over 72" high while using 5/8" SDL bars
- Tempered glass over 91" high while using 7/8" SDL bars.

Minimum and Maximum Guidelines: Modern Direct Glaze Polygon

Minimum and Maximum Frame Size Glass size up to 92 x 140 with 8 mm pane thickness (WDMA and NFRC certified)														
Configuration		Unit Shape	Minimum Frame Size						Maximum Frame Size				Glass Limit	
			Width		Height		Min Short Length		Long Leg Max Overall		Short Leg Max Overall			
			in	mm	in	mm	in	mm	in	mm	in	mm	in	mm
MDGRECT	Insulating Glass	Rectangle/Square (P4-Rect)	12	(305)	12	(305)			141 3/8	(3591)	93 3/8	(2372)	89.44	8.31
MDGPOLY	Insulating Glass	Triangles (P3-1,2,3,4,5)	15	(381)	15	(381)			141 3/8	(3591)	93 3/8	(2372)	89.44	8.31
MDGPOLY	Insulating Glass	Trapezoid (P4-5,6,7,8,9,10,11,12,13,14)	15	(381)	15	(381)	12	(305)	141 3/8	(3591)	93 3/8	(2372)	89.44	8.31
MDGPOLY	Insulating Glass	Pentagon (P5-1,5,6,13,14)	15	(381)	15	(381)	12	(305)	141 3/8	(3591)	93 3/8	(2372)	89.44	8.31
MDGCNR	Insulating Glass	Corner	16	(406)	16	(406)	16	(406)	141 3/8	(3591)	93 3/8	(2372)	89.44	8.31

Minimum and Maximum Frame Size Tri-Pane Glass size up to 60 x 91 with 4.7 mm pane thickness (WDMA and NFRC certified)														
Configuration		Unit Shape	Minimum Frame Size						Maximum Frame Size				Glass Limit	
			Width		Height		Min Short Length		Long Leg Max Overall		Short Leg Max Overall			
			in	mm	in	mm	in	mm	in	mm	in	mm	in	mm
MDGRECT	Insulating Glass	Rectangle/Square (P4-Rect)	14	(356)	14	(356)			92 3/8	(2346)	61 3/8	(1559)	31.00	2.88
MDGPOLY	Insulating Glass	Triangles (P3-1,2,5)	15	(381)	15	(381)			92 3/8	(2346)	61 3/8	(1559)	31.00	2.88
MDGPOLY	MAXIMUM FRAME SIZE CHANGED FOR TRIPANE TEMPERED 4.7 mm PANE THICKNESS, 5.7 mm PANE THICKNESS, PAGES 6	Trapezoid (P4-5,6,7,8,9,10,11,12,13,14)	15	(381)	15	(381)	12	(305)	92 3/8	(2346)	61 3/8	(1559)	31.00	2.88
MDGPOLY	Insulating Glass	Pentagon (P5-1,5,6,13,14)	15	(381)	15	(381)	12	(305)	92 3/8	(2346)	61 3/8	(1559)	31.00	2.88
MDGCNR	Insulating Glass	Corner	16	(406)	16	(406)	16	(406)	92 3/8	(2346)	61 3/8	(1559)	31.00	2.88

Minimum and Maximum Frame Size Tri-Pane Glass size up to 83.5 x 143 with 5.7 mm pane thickness (WDMA and NFRC certified)														
Configuration		Unit Shape	Minimum Frame Size						Maximum Frame Size				Glass Limit	
			Width		Height		Min Short Length		Long Leg Max Overall		Short Leg Max Overall			
			in	mm	in	mm	in	mm	in	mm	in	mm	in	mm
MDGRECT	Insulating Glass	Rectangle/Square (P4-Rect)	14	(356)	14	(356)			144	(3658)	84 7/8	(2156)	61.00	5.67
MDGPOLY	Insulating Glass	Triangles (P3-1,2,5)	15	(381)	15	(381)			144	(3658)	84 7/8	(2156)	61.00	5.67
MDGPOLY	Insulating Glass	Trapezoid (P4-5,6,7,8,9,10,11,12,13,14)	15	(381)	15	(381)	12	(305)	144	(3658)	84 7/8	(2156)	61.00	5.67
MDGPOLY	Insulating Glass	Pentagon (P5-1,5,6,13,14)	15	(381)	15	(381)	12	(305)	144	(3658)	84 7/8	(2156)	61.00	5.67
MDGCNR	Insulating Glass	Corner	16	(406)	16	(406)	16	(406)	141 3/8	(3591)	84 7/8	(2156)	61.00	5.67

NOTE: Angles less than 45 degrees are limited to 82.00" short leg max overall (dual pane, top chart)
Single glaze is not available

Certified Sizes and Ratings

Product Tested	Air Tested to PSF	Water Tested to PSF	Structural Tested PSF	Performance Grade (PG)	Certification Rating	Max Overall Width		Max Overall Height	
						in	mm	in	mm
Direct Glaze Unit	6.24	12.1	60.0	40	CW-PG40-FW	141 3/8	(3591)	93 3/8	(2372)
Direct Glaze Unit	6.24	12.1	60.0	40	CW-PG40-FW	93 3/8	(2372)	141 3/8	(3591)
Direct Glaze Unit	6.24	12.1	90.0	60	CW-PG60-FW	141 3/8	(3591)	93 3/8	(2372)
Direct Glaze Unit	6.24	12.1	90.0	60	CW-PG60-FW	93 3/8	(2372)	141 3/8	(3591)
*Direct Glaze Assembly	1.57	7.5	60.0	40	CW-PG40-FW	168	(4267)	96	(2438)
*Direct Glaze Assembly	1.57	7.5	60.0	40	CW-PG40-FW	96	(2438)	168	(4267)
**Direct Glaze Unit	6.24	12.1	60.0	40	CW-PG40-FW	121 3/8	(3083)	62 9/16	(1589)
**Direct Glaze Unit	6.24	12.1	60.0	40	CW-PG40-FW	62 9/16	(1589)	121 3/8	(3083)
**Direct Glaze Unit	6.24	12.1	90.0	60	CW-PG60-FW	121 3/8	(3083)	62 9/16	(1589)
**Direct Glaze Unit	6.24	12.1	90.0	60	CW-PG60-FW	62 9/16	(1589)	121 3/8	(3083)
***Direct Glaze Corner Unit	6.24	12.1	60.0	40	CW-PG40-FW	93 3/8	(2372)	141 3/8	(3591)

*84" maximum tributary span

**Largest size with annealed glass

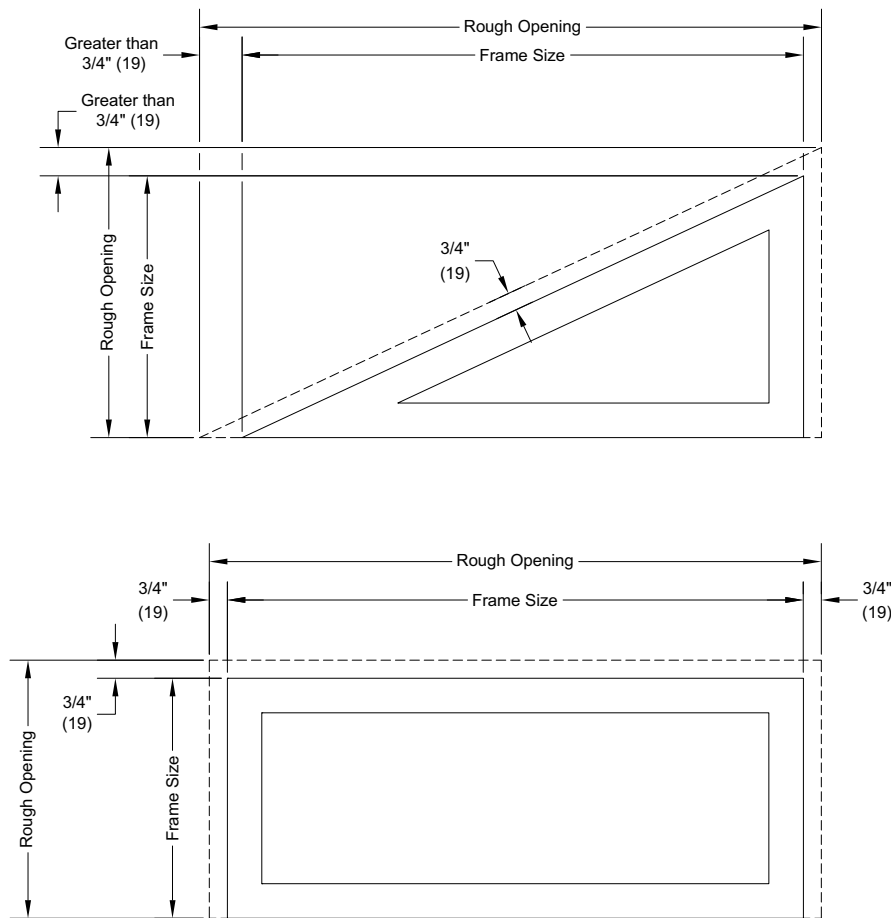
*** Max overall width is for each direct glaze frame OM is 93 3/8". Including the corner post, the unit OM width would be 94 13/16".

NOTE: Certification based upon AAMA/WDMA/CSA 101/I.S.2/A440-08

Measurement Conversions: Modern Direct Glaze Polygon

Unit Measurements		Width		Height	
From	To				
Rough Opening		in	mm	in	mm
Masonry Opening	Rough Opening	+ 1	(25)	+ 1/2	(13)
OM of Frame	Rough Opening	+ 1 1/2	(38)	+ 3/4	(19)
Daylight Opening	Rough Opening	+ 4 23/64	(111)	+ 3 39/64	(92)
Frame		in	mm	in	mm
Daylight Opening	OM of Frame	+ 2 55/64	(73)	+ 2 55/64	(73)
Glass		in	mm	in	mm
OM of Frame	Glass	- 1 3/8	-(35)	- 1 3/8	-(35)
Daylight Opening	Glass	+ 1 31/64	(38)	+ 1 31/64	(38)

NOTE: Minimum angle on any shape is 15 degrees.



NOTE: 3/4" (19) Rough Opening tolerance is maintained perpendicular to the frame of polygon units.

1/4" (6) Masonry Opening tolerance is maintained perpendicular to the frame or casing of polygon units.

Measurement tolerances vary due to polygon angles. Specify either Frame Size or Rough Opening measurement, Marvin will calculate the appropriate tolerances.

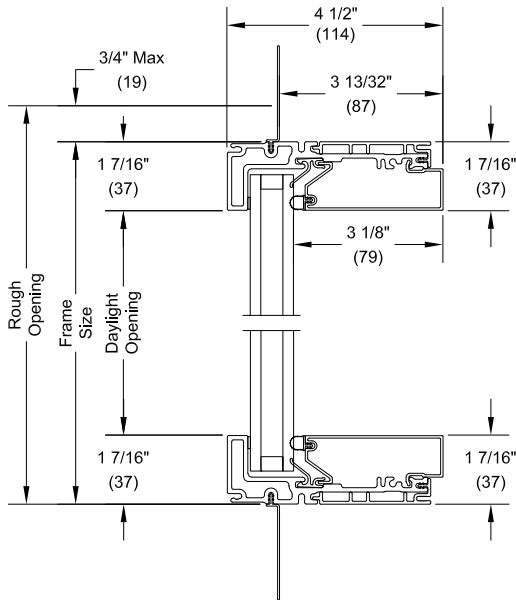
Slope To Angle and Angle to Pitch Conversion - Modern Direct Glaze Polygon

Slope to Angle /Degree Conversions		
Slope	Angle	Degree / Minutes
1/12	4.76	4 degree 46'
2/12	9.46	9 degree 28'
3/12	14.04	14 degree 2'
4/12	18.43	18 degree 26'
5/12	22.62	22 degree 37'
6/12	26.57	26 degree 34'
7/12	30.26	30 degree 15'
8/12	33.69	33 degree 41'
9/12	36.87	36 degree 52'
10/12	39.81	39 degree 48'
11/12	42.51	42 degree 31'
12/12	45.00	45 degree 0'
13/12	47.29	47 degree 14'
14/12	53.13	49 degree 24'
15/12	54.78	51 degree 20'
16/12	56.31	53 degree 8'
17/12	54.78	54 degree 47'
18/12	56.31	56 degree 19'
19/12	57.72	57 degree 43'
20/12	59.04	59 degree 2'
21/12	60.26	60 degree 15'
22/12	61.39	61 degree 23'
23/12	62.45	62 degree 27'
24/12	63.43	63 degree 26'

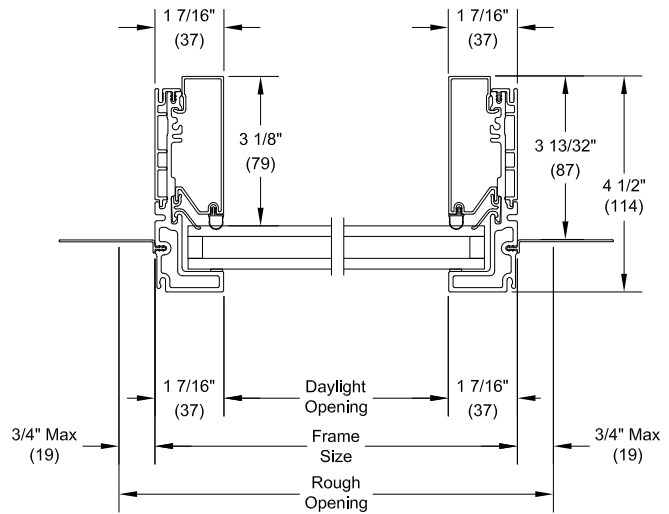
Angle to Pitch Conversions					
Angle	Pitch	Angle	Pitch	Angle	Pitch
1	0.21/12	31	7.21/12	61	21.65/12
2	0.42/12	32	7.50/12	62	22.57/12
3	0.63/12	33	7.79/12	63	23.55/12
4	0.84/12	34	8.09/12	64	24.60/12
5	1.05/12	35	8.40/12	65	25.73/12
6	1.26/12	36	8.72/12	66	26.95/12
7	1.47/12	37	9.04/12	67	28.27/12
8	1.69/12	38	9.38/12	68	29.70/12
9	1.90/12	39	9.72/12	69	31.26/12
10	2.12/12	40	10.07/12	70	32.97/12
11	2.33/12	41	10.43/12	71	34.85/12
12	2.55/12	42	10.80/12	72	36.93/12
13	2.77/12	43	11.19/12	73	39.25/12
14	2.99/12	44	11.59/12	74	41.85/12
15	3.22/12	45	12.00/12	75	44.78/12
16	3.44/12	46	12.43/12	76	48.13/12
17	3.67/12	47	12.87/12	77	51.98/12
18	3.90/12	48	13.33/12	78	56.56/12
19	4.13/12	49	13.80/12	79	61.73/12
20	4.37/12	50	14.30/12	80	68.06/12
21	4.61/12	51	14.82/12	81	75.77/12
22	4.85/12	52	15.36/12	82	85.38/12
23	5.09/12	53	15.92/12	83	97.73/12
24	5.34/12	54	16.52/12	84	114.17/12
25	5.60/12	55	17.14/12	85	137.16/12
26	5.85*12	56	17.79/12	86	171.61/12
27	6.11/12	57	18.48/12	87	228.97/12
28	6.38/12	58	19.20/12	88	343.64/12
29	6.65/12	59	19.97/12	89	687.48/12
30	6.93/12	60	20.78/12		

Section Details: Modern Direct Glaze - Rectangle (Dual-Pane)

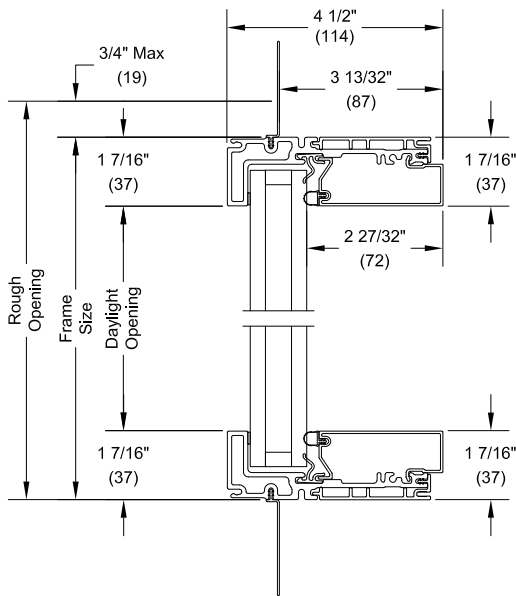
Scale: 3' = 1' 0"



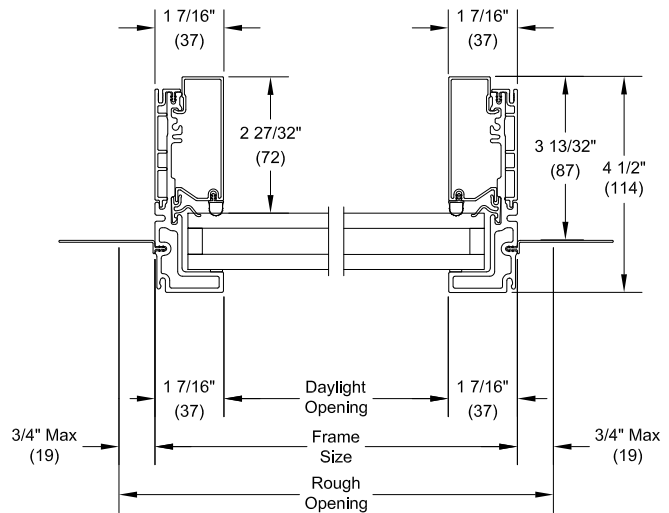
**Direct Glaze Rectangle
Head Jamb and Sill with 15/16" Dual-Pane**



**Direct Glaze Rectangle
Jambs with 15/16" Dual-Pane**



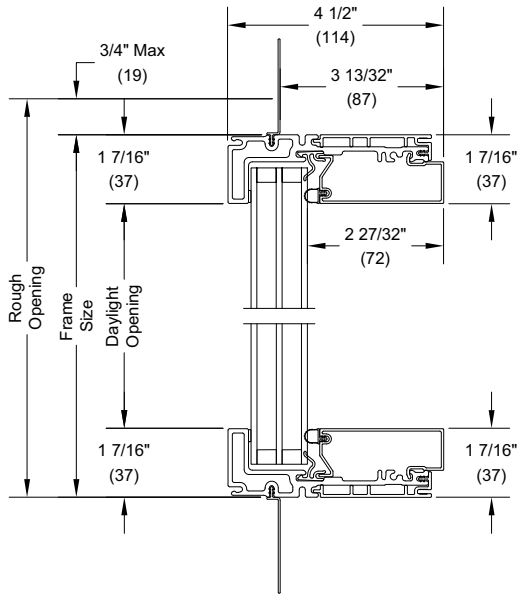
**Direct Glaze Rectangle
Head Jamb and Sill with 1 1/4" Dual-Pane**



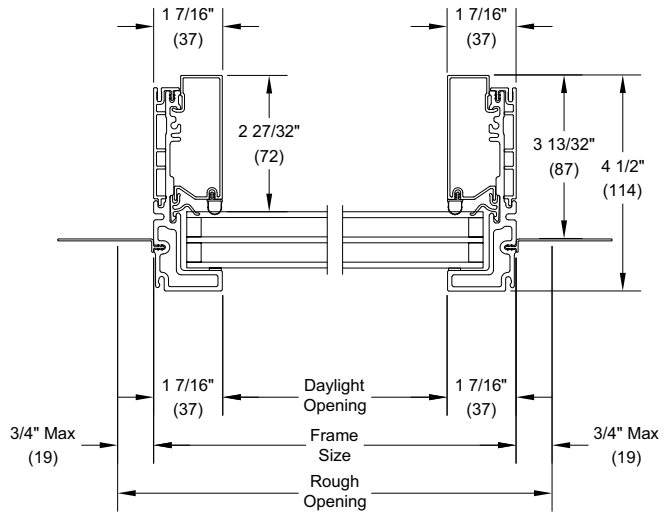
**Direct Glaze Rectangle
Jambs with 1 1/4" Dual-Pane**

Section Details: Modern Direct Glaze - Rectangle (Triple-Pane)

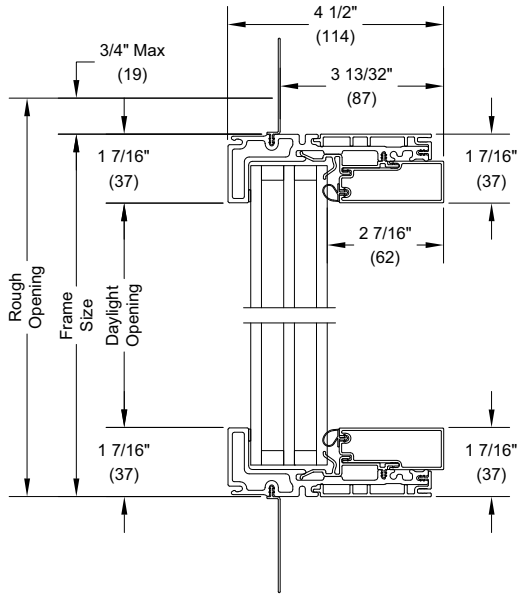
Scale: 3' = 1' 0"



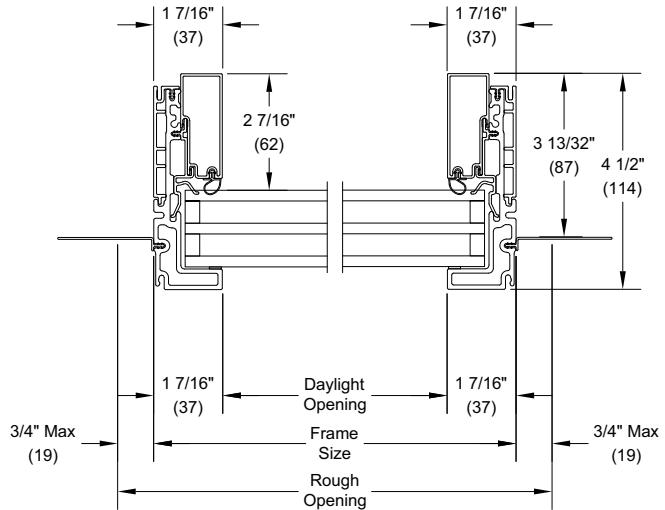
Direct Glaze Rectangle
Head Jamb and Sill with 1 1/4" Triple-Pane



Direct Glaze Rectangle
Jambs with 1 1/4" Triple-Pane



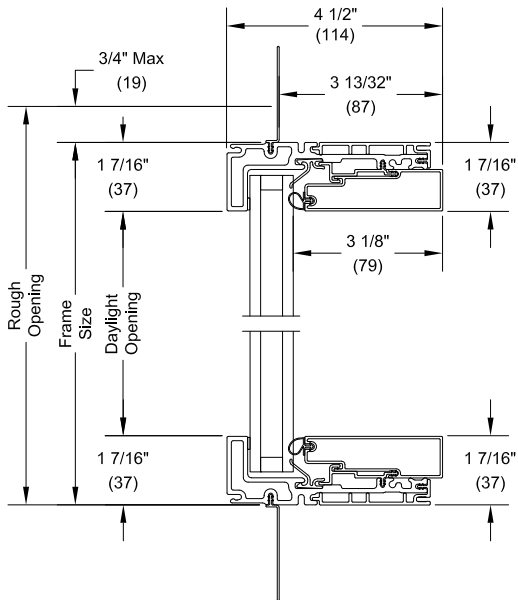
Direct Glaze Rectangle and Polygon
Head Jamb and Sill with 1 9/16" Triple-Pane



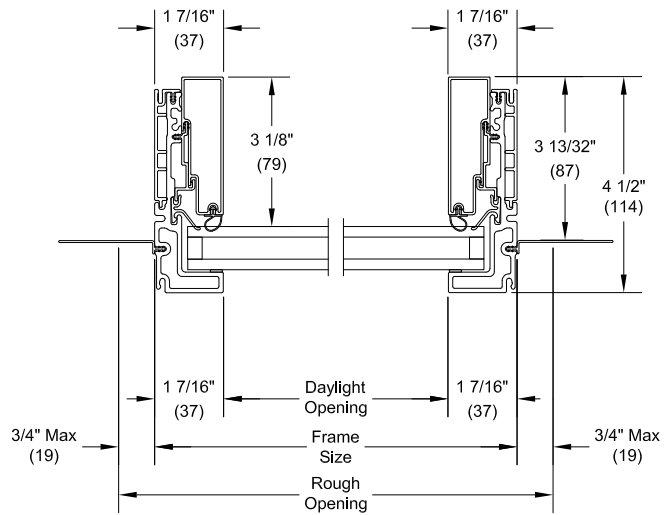
Direct Glaze Rectangle and Polygon
Jambs with 1 9/16" Triple-Pane

Section Details: Modern Direct Glaze - Polygon (Dual-Pane)

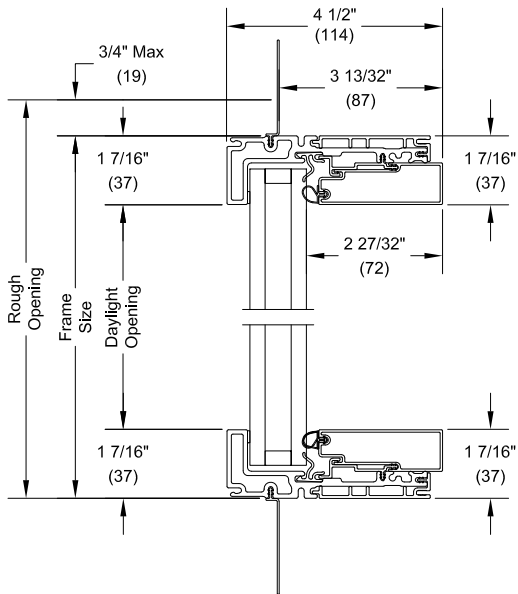
Scale: 3' = 1' 0"



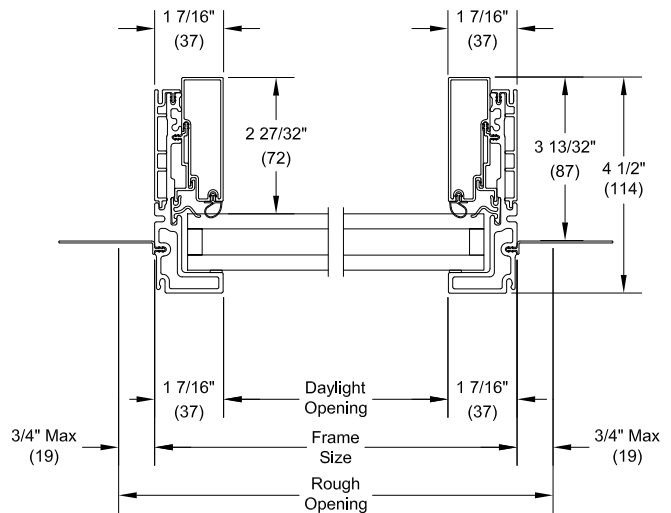
Direct Glaze Polygon
Head Jamb and Sill With 15/16" Dual-Pane



Direct Glaze Polygon
Jamb With 15/16" Dual-Pane



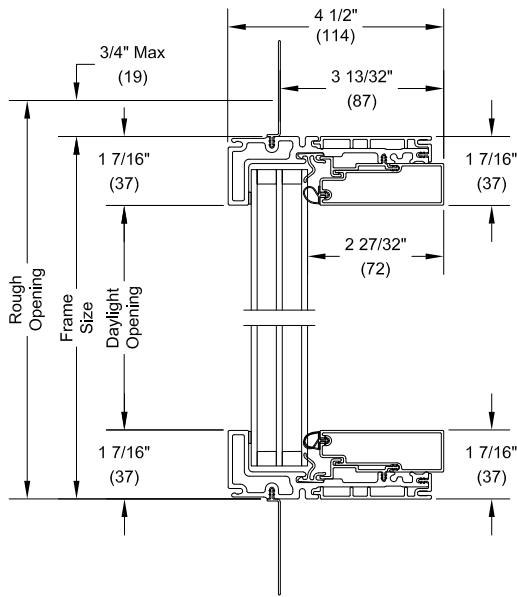
Direct Glaze Polygon
Head Jamb and Sill With 1 1/4" Dual-Pane



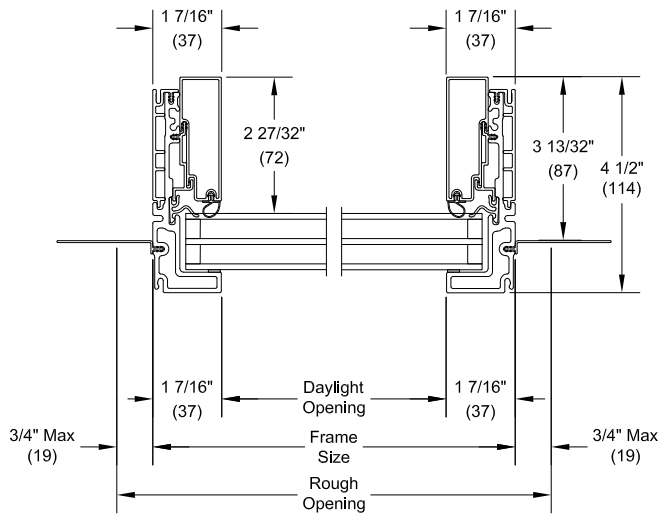
Direct Glaze Polygon
Jamb With 1 1/4" Dual-Pane

Section Details: Modern Direct Glaze - Polygon (Triple-Pane)

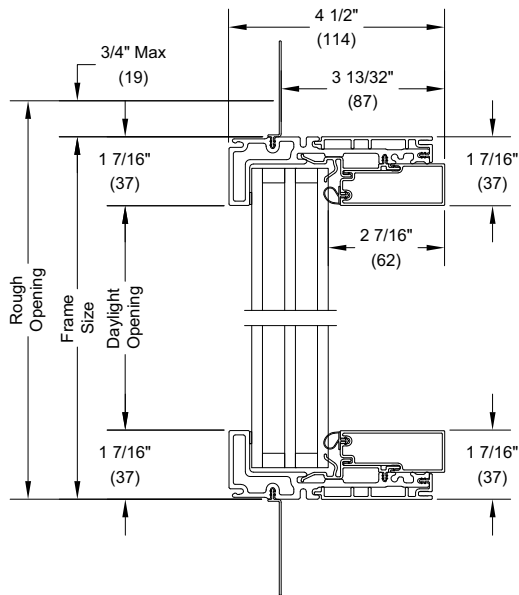
Scale: 3' = 1' 0"



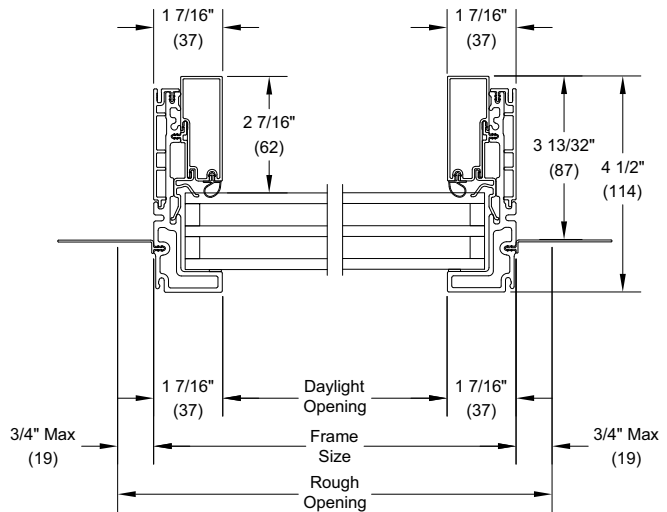
**Direct Glaze Polygon
Head Jamb and Sill With 1 1/4" Triple-Pane**



**Direct Glaze Polygon
Jamb With 1 1/4" Triple-Pane**

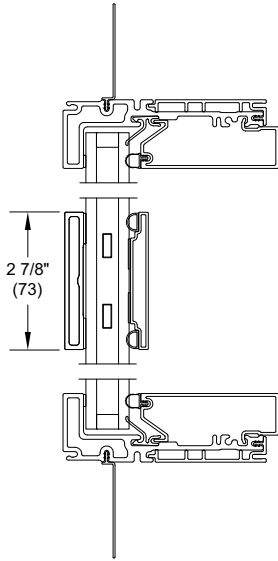


**Direct Glaze Rectangle and Polygon
Head Jamb and Sill with 1 9/16" Triple-Pane**

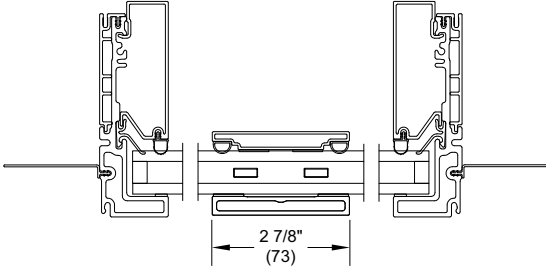


**Direct Glaze Rectangle and Polygon
Jamb with 1 9/16" Triple-Pane**

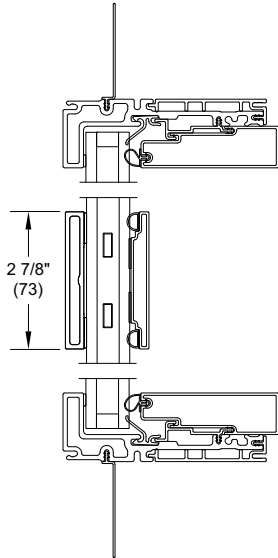
Section Details: Modern Direct Glaze - Simulated Frame Divider (Dual-Pane)



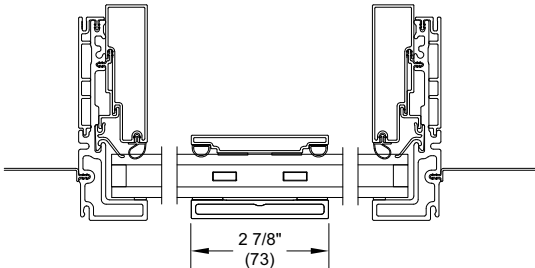
Direct Glaze - Rectangle
Head Jamb and Sill
Dual-Pane Glass
Simulated Frame - 2 7/8"



Direct Glaze - Rectangle
Jambs
Dual-Pane Glass
Simulated Frame - 2 7/8"

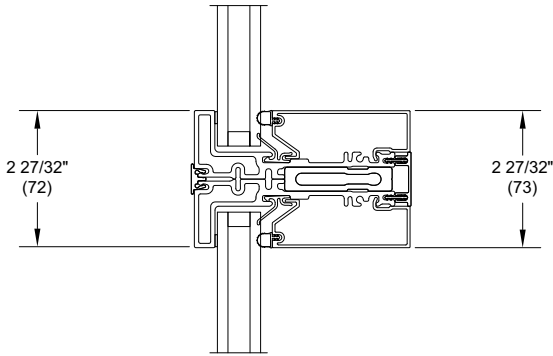


Direct Glaze - Polygon
Head Jamb and Sill
Dual-Pane Glass
Simulated Frame - 2 7/8"

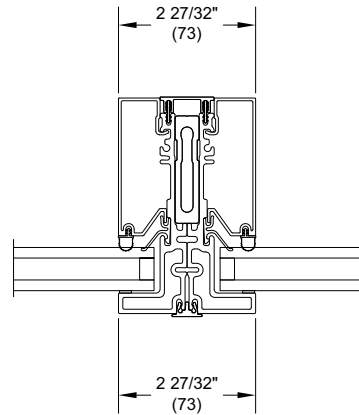


Direct Glaze - Polygon
Jambs
Dual-Pane Glass
Simulated Frame - 2 7/8"

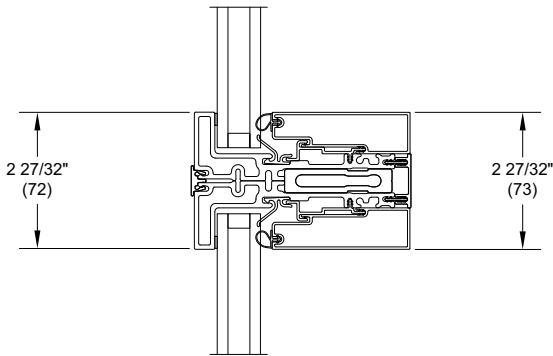
Section Details: Modern Direct Glaze - Mullions



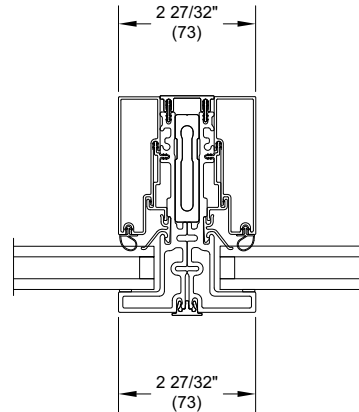
Direct Glaze Rectangle
Head Jamb and Sill



Direct Glaze Rectangle
Jambs



Direct Glaze - Polygon
Head Jamb and Sill



Direct Glaze Polygon
Jambs

*NOTE: Refer to the Mull ADM for more information on mulling options
These mullions also support 1 1/4\"*

Section Details: Modern Direct Glaze Corner Units

