



Combination for the Ultimate French Door

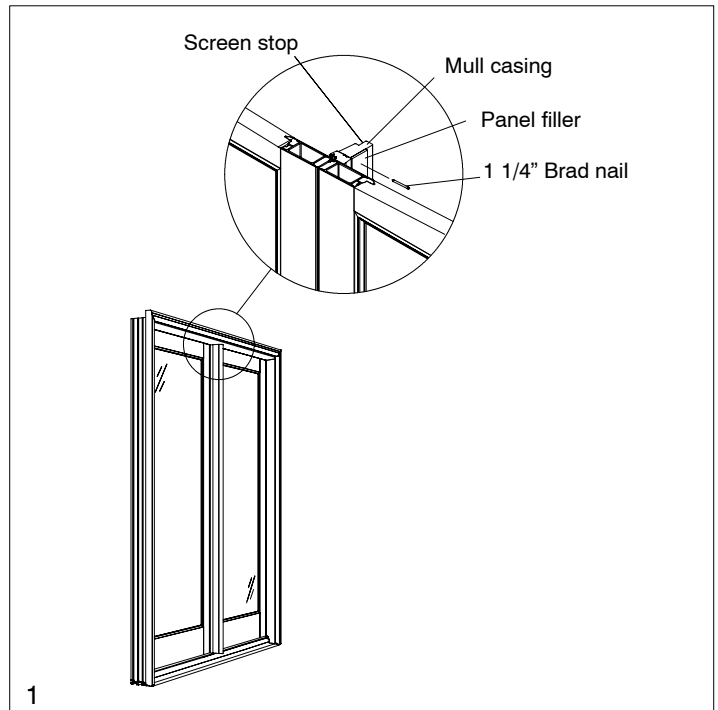
Instructions for doors not factory prepared

IMPORTANT: These instructions are for doors not factory prepared for a combination panel, and pertain to the following door configurations only:

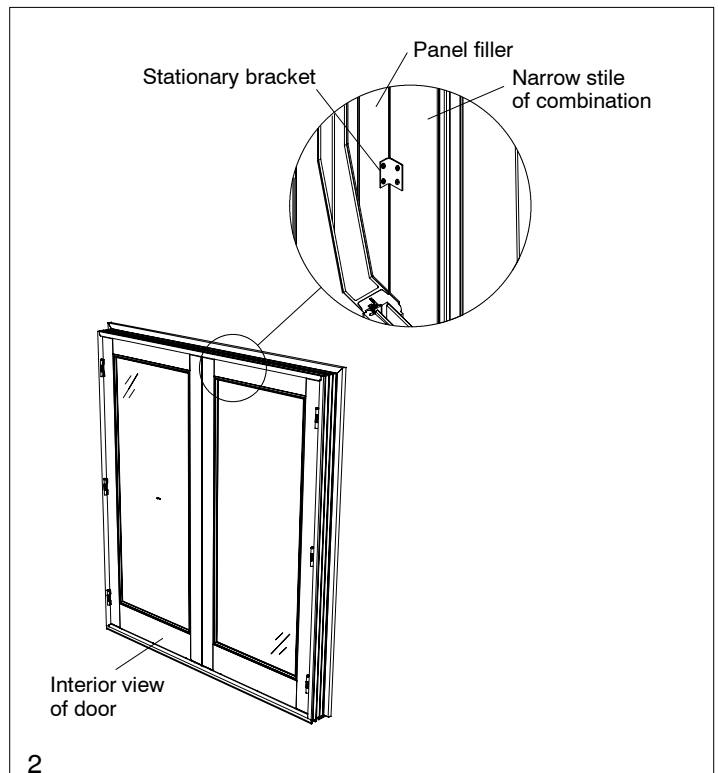
OOX, XOO, OXO, OOXO, OXOO, OXOX, and XOXO

1. Align active, inactive, and stationary panel(s) to match operation of installed Ultimate French Door. Attach special panel filler to mull casing using 1 1/4" brad nails spaced every 12" (305). See illustration 1.

NOTE: Special panel filler will be installed on mull casing with screen stop, and should be attached to side opposite from screen stop.



2. Combination panel with narrow stile will be attached to special panel filler using stationary brackets secured with #7 x 3/4" screws in pre-drilled holes. See illustration 2.
3. If your configuration included active panel(s) that hinge on mull casing (as opposed to a panel hinged from stationary panel or jamb) use template provided on back page to locate top hinge on mull casing.



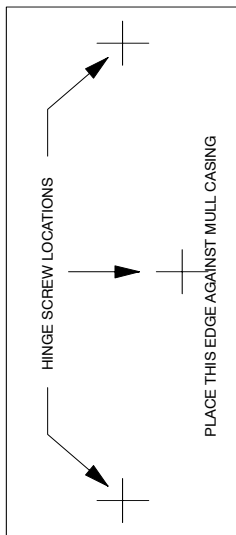
- Place edge of template against casing as indicated on template. Measure from underside of head casing to top of template depending on door size (see sizes below) and mark mull casing for hinge screws using an awl. Drill hinge pilot holes in marked locations using 1/8" bit. See illustration 3.

NOTE: Measurements are from underside of head casing to top of template as follows:

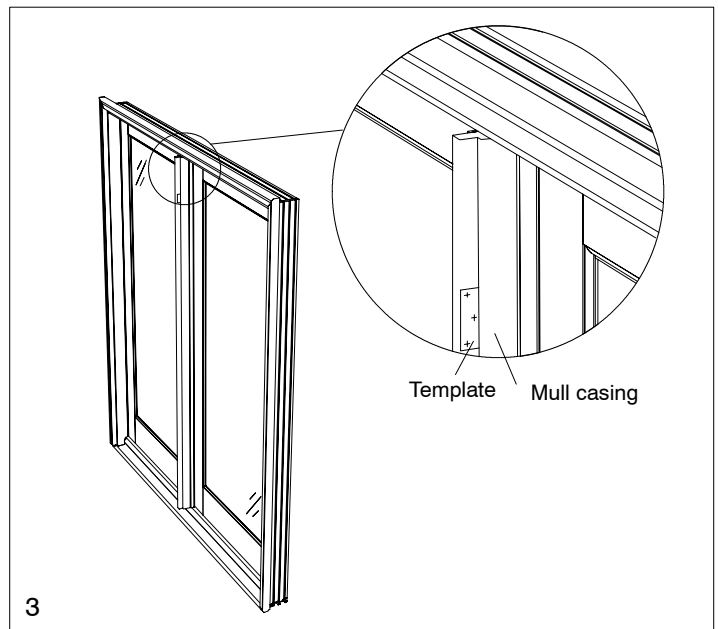
6-5 door = 6 1/8" (156)

6-8 door = 7 3/4" (197)

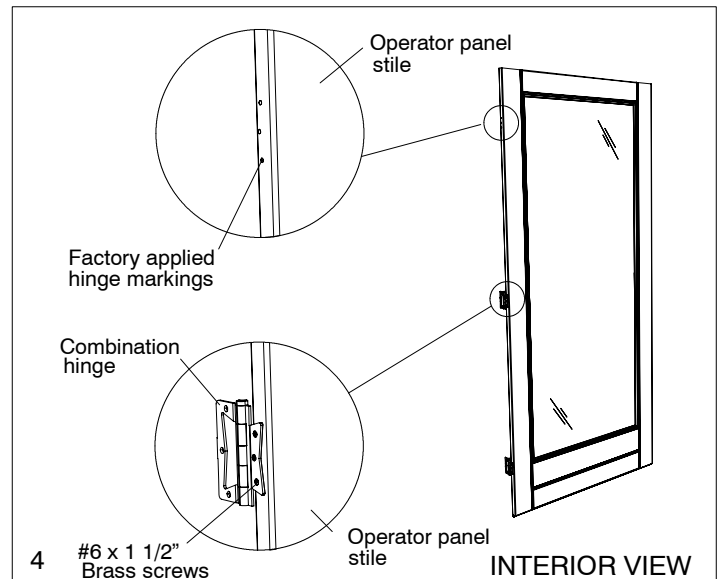
8-0 door = 7 3/8" (187)



HINGE TEMPLATE

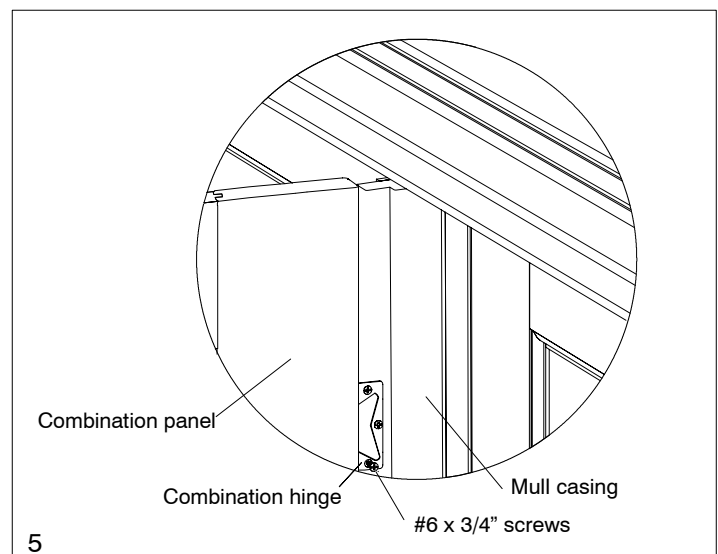


3



4

- Apply hinges to active panel(s) in premarked locations on door stiles using #6 x 1 1/2" Phillips head brass screws. See illustration 4.
- Attach panel to mull casing starting at hinge location marked with template using #6 x 3/4" Phillips head brass screws. See illustration 5.
- Follow installation instructions provided with combination panel to complete installation.



5