

Replacement Parts

Specifications and technical data are subject to change without notice.

Numbers listed in () parentheses are metric equivalents in millimeters rounded to the nearest whole number.

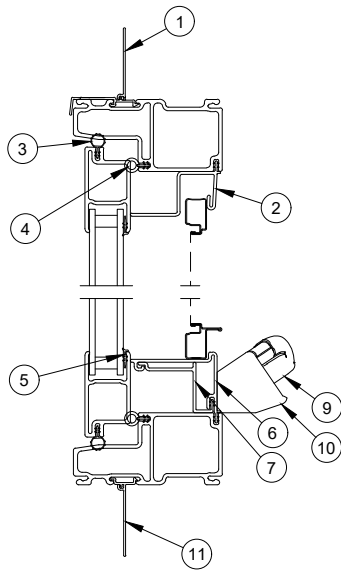
Suggested fasteners are not included and must be ordered separately.

Illustrations are not to scale.

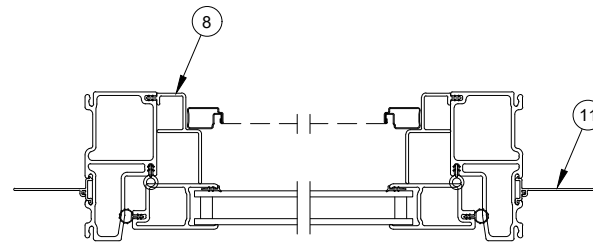
Contents

Product History.....	2
Part Identification - Awning Operator	3
Part Identification - Awning Stationary/Picture/Transom.....	4
Handles	5
Operators	6
Operators - Discontinued Limited Availability (LA)	8
Hinges.....	9
Locking Hardware	10
Miscellaneous Parts	11
Tools	12
Vinyl Parts - Configured Parts in OMS.....	13
Weather Strip - Configured Parts in OMS.....	14
Weather Strip - Discontinued No Availability (NA)	15
Screen Replacement.....	16
Screen Parts	17
Screen Parts - Discontinued Limited Availability (LA)	18
Sash Replacement.....	19

Produced	Unit Type	Features and Changes
2010	Awning	02/2010: Introduced the Essential Awning product. 12/2010: Introduced the Coastal Hardware option.
2011	Awning	03/2011: Updated Bottom Sill Cover Profile.
2015	Awning	02/2015: Introduced a new drip cap with nailing fin. 08/2015: Introduced awning sash limiter option.
2017	Awning	12/2017: Added availability of customer specified divided lite cut configurations for GBG. To include allowing any color GBG to the exterior only of standard and special sized units. Introduced Bronze and Ebony interior option. Standardized Ebony exterior from Essential Ebony to Marvin Ebony.
2018	Awning	02/2018: Introduced Bronze and Ebony interior option. Standardized Ebony exterior from Essential Ebony to Marvin Ebony. 10/ 29/2018: Low E3 ERS glass type was added. 12/10/2018: The screen frame profile was updated. 12/17/2018: Introduced textured glass types: Reed, Narrow Reed, Rain, Glue Chip and Frost and also colored glass types: Clear, Bronze, Gray and Green. The screen frame profile was updated.
2020	Awning	01/2020: Protective Glass Film becomes a standard feature across all Essential product lines. 08/31/2020: Added Custodial and Non-Custodial Sash Limiters.
2021	Awning	04/01/2021: The frame weather strip was updated from V189 to V3229, a continuous weather strip. 10/25/2021: Standard screen mesh changed to Marvin Bright View™, see Product Bulletin 793 for more information. Interior Frame Covers became available as Configured Parts in OMS, see Product Bulletin 798 for more information.
2022	Awning	02/28/2022: Frame and sash weather strip will now be available in Configured Parts in OMS. See Product Bulletin 822 for more information. 04/21/2022: Part numbers were removed for Vinyl profiles V1989, V2840, V1990, V1900, V2996, V1899 and V2841 and Weather Strip profiles V3229 and V147. Configured parts are available in OMS. Any Discontinued - Limited Availability (LA) will continue to be available by part number. See Product Bulletin 830 for more information. 06/27/2022: The Essential collection will transition to black weatherstrip (and associated components) for all window and door products, effective June 27th, 2022. Beige weather strip will continue to be available for warranty/service needs. See Product Bulletin 834 for more information.
2024	Awning	06/24/2024: Introduced larger sizes. See Product Bulletin 941 for additional information

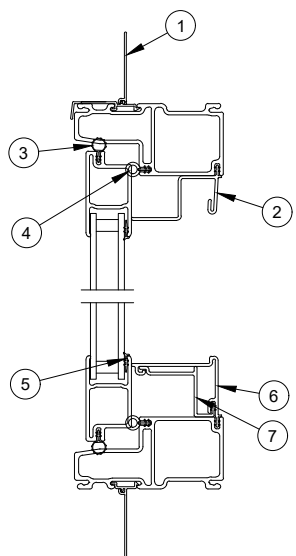


Head Jamb and Sill Detail

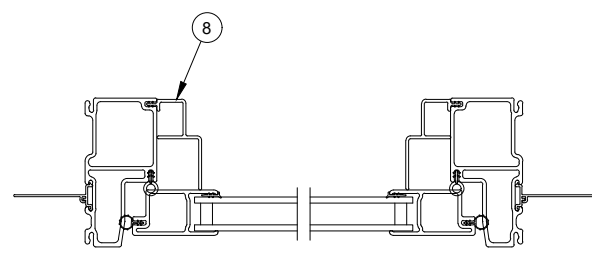


Jamb Detail

1. Head Jamb Nail Fin w/Drip Cap, V2395 (see Accessories section)
2. Frame Cover Head Jamb, V1899/V2841
3. Sash Weather Strip, V147
4. Frame Weather Strip, V3229
5. Glazing Boot, Sash, V1415 (see Accessories section)
6. Frame Cover, Sill, Top, V1989/V2840
7. Frame Cover, Sill, Bottom, V1990
8. Frame Cover, Jamb, V1900/V2996
9. Roto Gear Folding Handle
10. Roto Gear Assembly
11. Sill and Jamb Nail Fin, V1428 (see Accessories section)



Head Jamb and Sill Detail

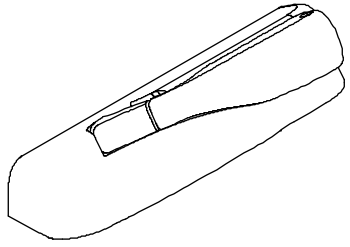


Jamb Detail

1. Head Jamb Nail Fin with Drip Cap, V2395 (see Accessories section)
2. Frame Cover, Head Jamb, V1899/V2841
3. Sash Weather Strip, V147
4. Frame Weather Strip, V3229
5. Glazing Boot, Sash, V1415 (see Accessories section)
6. Frame Cover, Sill, Top, V1989/V2840
7. Frame Cover, Sill, Bottom, V1990
8. Frame Cover, Jamb, V1900/V2996

Folding Handle/Cover

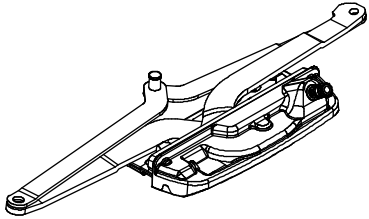
Color	PN
Almond Frost	10896251
White	10896254
Oil Rubbed Bronze	10896306
Satin Nickel	10896305
Brass	10896304
Matte Black	10896318



Scissor Arm Operator

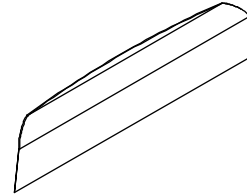
Awning	
Color/Finish	PN
E-Gard	10896278
Coastal	11862612

Suggested Fasteners	
Uses 4: #8 x 7/8" Type AB, Phillips flat head, stainless steel w/ZYC screws	
PN	11806102



Roto Gear Undercover

Usage	Color	PN
Optional usage to match roto gear cover and handle color in elevated window applications. Used on the underside of the roto gear.	Almond Frost	10880185
	White	10880184
	Oil Rubbed Bronze	10880188
	Satin Nickel	10880186
	Brass	10880187
	Matte Black	10880189



Custodial Sash Limiter, 3" Travel

Includes:

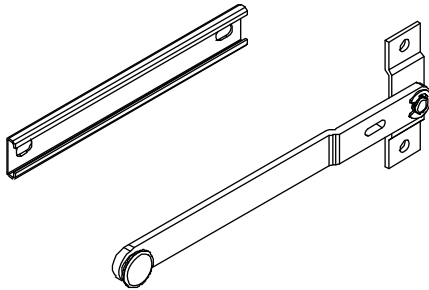
- 1 – Sash limiter arm assembly, includes retaining ring (custodial)
- 1 – Sash limiter track
- 2 – #8 X 3/8 T20 Torx screw
- 2 – 5/32 diameter x 5/16 peel rivet
- 1 – T20 Torx tamperproof bit
- 1 – Field installation instructions

NOTE: Awning units must have a frame height of 23 or greater. 2 sash limiters are required on all sizes.

Usage dates:

08/31/2020 to present

PN
11850763



Non-Custodial Sash Limiter, 3" Travel

Includes:

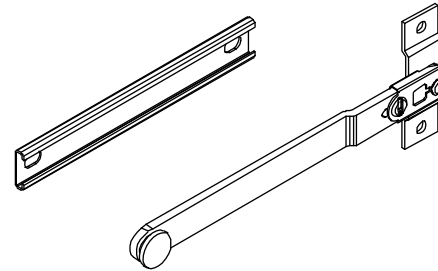
- 1 – Sash limiter arm assembly (non-custodial)
- 1 – Sash limiter track
- 2 – #8 X 3/8 T20 Torx screw
- 2 – 5/32 diameter x 5/16 peel rivet
- 1 – T20 Torx tamperproof bit
- 1 – Field installation instructions

NOTE: Awning units must have a frame height of 23 or greater. 2 sash limiters are required on all sizes.

Usage dates:

08/31/2020 to present

PN
11850764

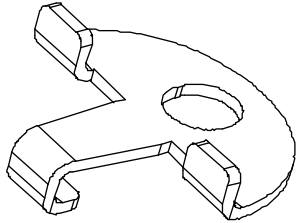


Sash Limiter

Usage dates:

August 2015 to August 30, 2020

PN
11860938

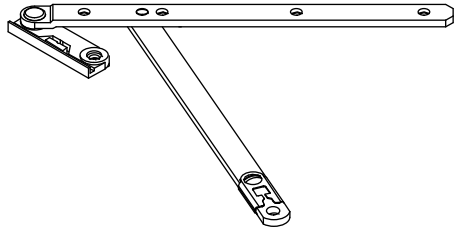


Hinge Arm Assembly

Includes:

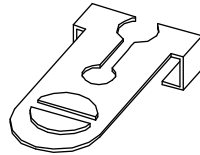
- 4 – #8 x 3/4" A/TEK-2, Steel w/ZYC or
- 4 – #8 x 3/4" A/TEK-2, 410 Stainless Steel

Description	Handing	PN
E-Gard	LH	10813004
	RH	10813005
Coastal	LH	11862625
	RH	11862626



Detach Hinge Clip

PN
10814839

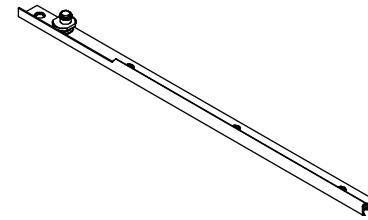


Hinge Track

Includes:

- 3 – #7 x 5/8" PH, Flat UC, Stainless Steel screws

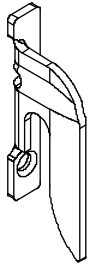
LH PN	RH PN
10813006	10813007



Keeper

Color	LH PN	RH PN
E Guard	10896266	10896267
Black 300 Series	11862914	11862913
Coastal	11862614	11862613

Suggested Fasteners	
#7-19 x .625 AB-17 full thread screw (Need 2 per keeper)	
E Guard	11800743
Black	11800943
Stainless Steel (Coastal)	11806110



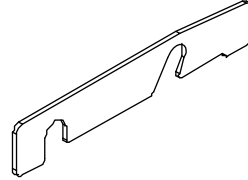
RH shown

Keeper Shim

Usages dates:

11/2019 to present

Color	PN
White	10500617
Black	10500618

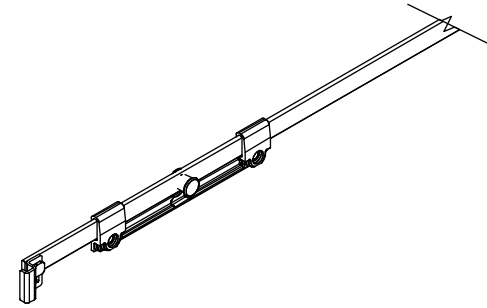


Tie Bar Assembly

Includes:

2 – 1/8" x 19/32" peel rivets

Description	Handing	PN
E-Gard	LH	10896261
	RH	10896262
Coastal	LH	11862622
	RH	11862621

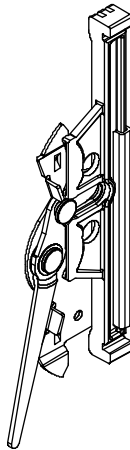


Lock Drive Assembly

Includes:

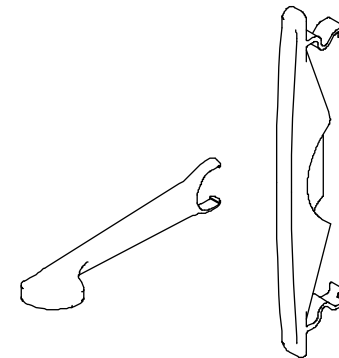
2 – 1/8" X 19/32" peel rivets

PN
11881083



Lock Drive Handle and Escutcheon

Color	PN
Almond Frost	10895019
White	10895018
Oil Rubbed Bronze	10895020
Satin Nickel	10895021
Brass	10895022
Matte Black	10895023

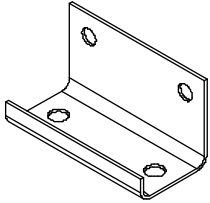


Stationary Bracket

Includes:

2 - 5/32" x 9/16" peel rivets

PN
11881080

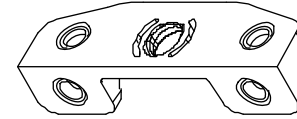


Stud Bracket

Includes:

2 - 5/32" x 9/16" peel rivets

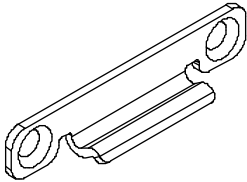
PN
11881092



Sash Snubber

NOTE: Used on units greater than RO 48"

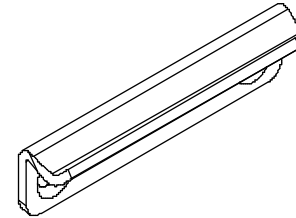
PN
11873231



Concealed Snubber

NOTE: Used on units greater than RO 48"

PN
11841111

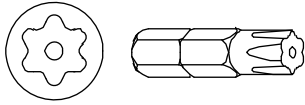


T20 Torx Tamper Proof Bit

Usage dates:

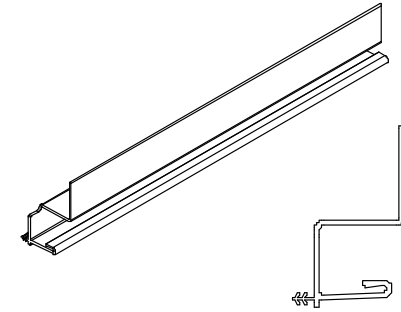
08/31/2020 to present

PN
02071481

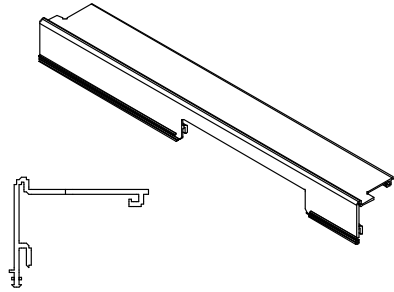


Ordering specifications for Configured Parts in OMS:

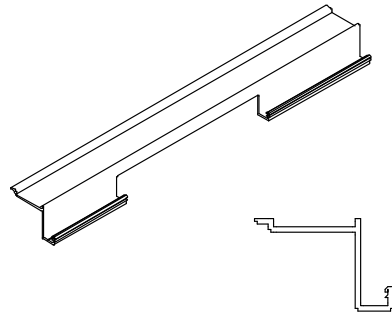
1. Unit type;
2. Unit handing;
3. Interior and exterior color;
4. Application type: Full frame or Insert;
5. Unit size (call number, rough opening or frame size);
6. Location of cover (from exterior view);
 - a. Top,
 - b. Sill,
 - c. Left jamb,
 - d. Right jamb.
7. Prep for through jamb.



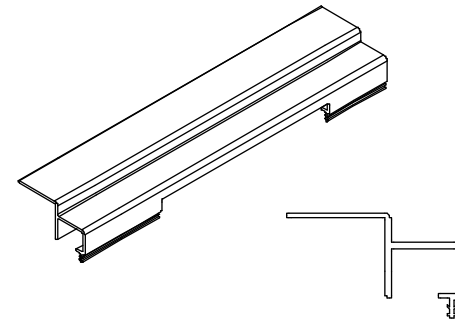
V1899/V2841 - Head Jamb, Frame Cover



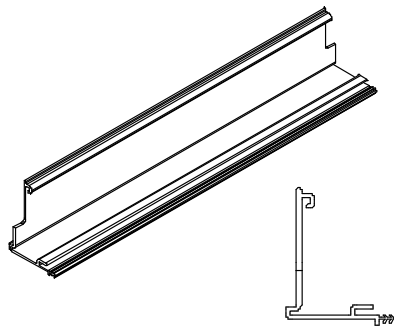
**V1989/V2840
Frame Cover, Top, Operator**



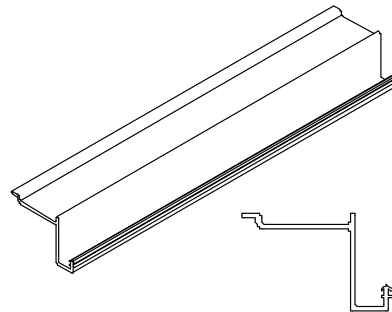
V1990 - Bottom, Operator



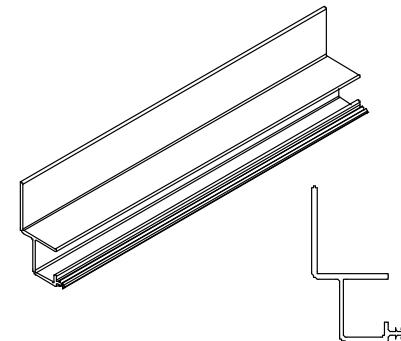
V1900/V2996 - Jamb Lock Side



V1989/V2840 - Top, Stationary



V1990 - Bottom, Stationary



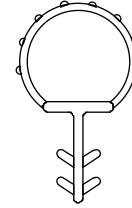
V1900/V2996 - Jamb Stat/Hinge Side

Ordering specifications for Configured Parts in OMS:

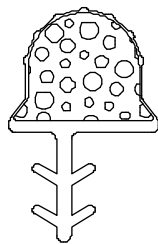
1. Unit type;
2. handing;
3. exterior color;
4. unit size (width and height);
5. component location (for sash weather strip only).



V3229
Frame Weather Strip



V147
Sash Weather Strip



V189, Frame Weather Strip
No longer available, replace with V3229

To order, specify:

1. Size: measure the existing screen OM, if not available, determine the size of the screen by using the conversion chart shown below.
2. Color options: Stone White exterior/interior, Bronze exterior/interior, Ebony exterior/interior (split finishes not available).

Screen Sizes for Casement Manufactured 2010 to Present

Daylight Opening to OM of sash

Daylight opening is the measurement of the visible glass.

Daylight Width + 1 13/32”(36)= OM Width of Screen

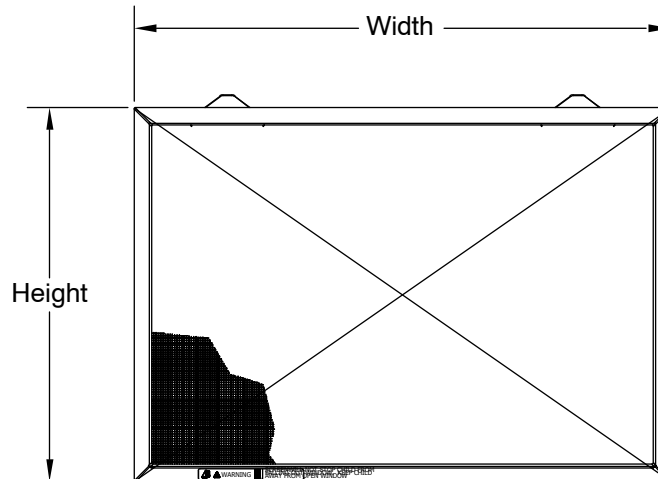
Daylight Height + 1 1/64” (26) = OM Height of Screen

NOTE: OM of aluminum screen includes corner keys.

NOTE: Screens feature leaf spring mounting system.

Standard screens offer almond frost aluminum surround. Standard screen mesh is Marvin Bright View™. Determine the outside measurement (OM) of the existing screen. Find the sizes that correspond to the width and height indicated on the following chart.

CN Size	OM Width	CN Size	OM Height
CN16	13 15/64” (336)	CN16	12 53/64” (326)
CN20	19 15/64” (489)	CN20	18 53/64” (478)
CN26	25 15/64” (641)	CN26	24 53/64” (631)
CN30	31 15/64” (793)	CN30	30 53/64” (783)
CN36	37 15/64” (946)	CN36	36 53/64” (935)
CN40	43 15/64” (1098)	CN40	42 53/64” (1088)
CN46	49 15/64” (1251)		
CN50	55 15/64” (1403)		

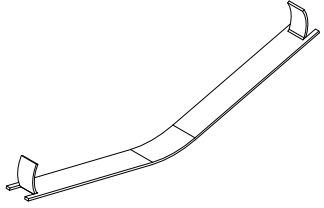


Leaf Spring

Usage dates:

12/10/2018 to present

Color	PN
Stainless Steel	313430



Leaf Spring

Usage dates:

02/2010 to 12/09/2018

Color	PN
Stainless Steel	11868835



To order, specify:

1. Size (using chart below);
2. Operating, stationary;
3. Exterior color;
4. Interior Colors: Stone White, Bronze with Bronze exterior, Ebony with Ebony exterior (Split finishes not available for Dark interior option.)
5. glazing.

Sash sizes for Awning Manufactured 02-22-2010 to Present

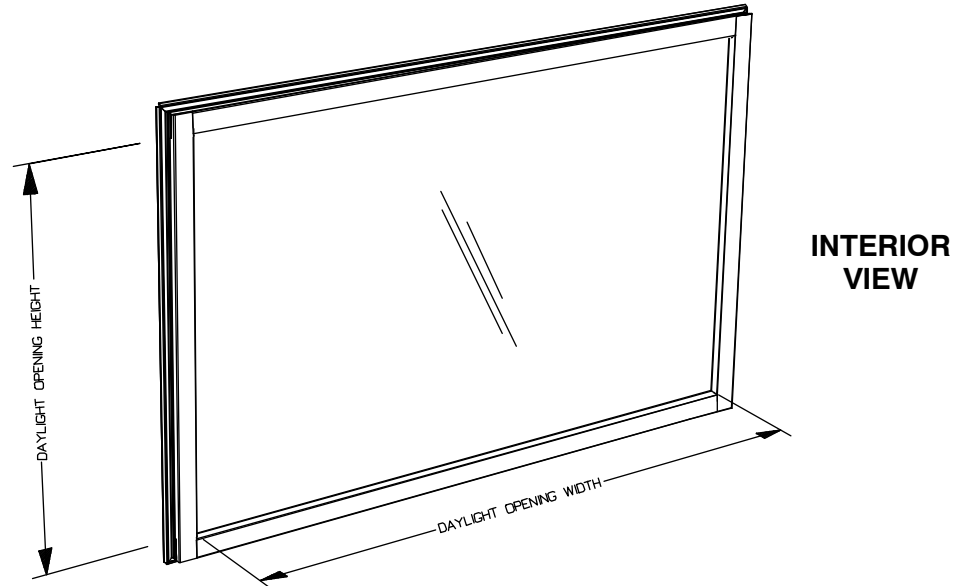
Daylight Opening to OM of sash

Daylight Width + 3 17/32" = OM Width of Sash

Daylight Height + 3 17/32" = OM Height of Sash

NOTE: Awning sash is not reglazable. Replacement sash will include all hardware.

CN Size	OM Width	CN Size	OM Height
CN16	15 17/32" (394)	CN16	15 17/32" (394)
CN20	21 17/32" (547)	CN20	21 17/32" (547)
CN26	27 17/32" (699)	CN26	27 17/32" (699)
CN30	33 17/32" (852)	CN30	33 17/32" (852)
CN36	39 17/32" (1004)	CN36	39 17/32" (1004)
CN40	45 17/32" (1156)	CN40	45 17/32" (1156)
CN 46	51 17/32" (1309)		
CN50	57 17/32" (1461)		



NOTE: The daylight opening is the interior measurement of visible glass.