

Coastline Swinging French Door

- Unit Features 1
- Maximum Guidelines 3
- Configurations 4
- Inswing Section Details 5
- Outswing Section Details 7
- Sidelite Section Details..... 10

Unit Features**Product Name:** Coastline French Door

- Inswing French Door
- Outswing French Door (Sidelite/Transom available)
- French Door Sidelite (Transom available)

Abbreviation: COIFD IZ4, COOFD IZ4, COFD SL IZ4**Frame:**

- .094" is typical wall thickness
- 4.688" frame depth
- Installation screw holes are pre-punched for easy installation
- Optional Color Finishes:
 - Stone White
 - Bronze
 - Ebony
 - Walnut
 - Hazelnut
 - Red Cinnamon
 - English Oak
 - White Kynar
 - Bronze Kynar
 - Black Kynar
 - Custom Colors available

Panels:

- Solid bottom panels available
- Operator:
 - Top Rail: 4" or 8"
 - Bottom Rail: 4" or 8"
 - Stile: 4"
- Sidelite:
 - Top Rail: 2", 4" or 8"
 - Bottom Rail: 2", 4" or 8"
 - Stile: 2" or 4"
- Ogee glass stops available

Swing/Style Options:

- Hinge Right & Hinge Left Inswing
- Hinge Right & Hinge Left Outswing
- Sidelite
- Transom

Hardware:

- 3 point lock on all active doors
- Electric Strike available
- Panic Hardware available (Outswing only)
- Closer available
- Handle Options:
 - Contemporary
 - Traditional
 - Offset Ladder Pull
 - Rectangular Offset Ladder Pull
 - Ornamental Pulls
 - Commercial Tubular Pulls
 - San Carlos
 - Custom Handle Sets

• Hinge Finish Options:

- Satin Nickel
- Dark Bronze
- Polished Brass
- Black

Sill:

- Standard (only available on Outswing or Sidelite)
- Low-Rise (only available on Outswing or Sidelite)
- Inswing (only available on Inswing)
- ADA (only available on Outswing)

Divided Lite Options:

- 1 Lite
- SDL and GBG Patterns - Equal Rectangular & Prairie
 - Profiles (ext/int):
 - 1" Ogee / 1" Ogee
 - 1" Flat / 1" Flat
 - 2" Flat / 2" Flat
 - 1" Square / 1" Square
 - 2" Square / 2" Square
 - GBG:
 - 13/16" Sightline

Weather Strip:

- Fully weather stripped throughout providing a tight seal to prevent water and air infiltration.

Glass and Glazing:

- Glass Options:
 - 7/16" HS Laminated PVB
 - 7/16" HS Laminated SGP
 - 9/16" HS Laminated SGP (only available on Outswing or Sidelite)
 - 1" Insulated Laminated PVB (only available on Outswing or Sidelite)
 - 1" Insulated Laminated SGP
- Glass Tint Options:
 - Clear
 - Grey Tint
 - Bronze Tint
 - Green Tint
 - Azurelite Blue Tint
 - LoE 366 Clear
 - LoE 366 Grey
 - LoE 366 Bronze
 - LoE 366/ I-89
- Options:
 - White Interlayer
 - Pat 62 Obscure
 - Rain
 - Glue-Chip
 - Double Tint
 - Neat

Maximum Guidelines

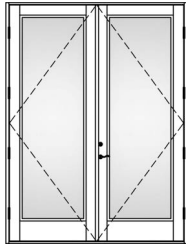
PRODUCT ABBREVIATION	MAX FRAME AREA (sq ft)	MAX FRAME WIDTH (in)	MAX FRAME HEIGHT (in)	MAX DESIGN PRESSURE (PSF)	OPERATION
COIFD IZ4	36	39-3/8	132-5/8	+ 55 / -80	X
	70	76	132-5/8	+ 50 / -50	XX
COOFD IZ4	52	52	144	+ 80 / -80	X
	101	101-3/8	144	+ 80 / -80	XX
COFD SL IZ4	44	60	132-5/8	+ 80 / -80	FIXED
Max Area Cannot Be Exceeded, Reference Florida Product Approvals For Actual Design Pressure					

Configurations

Single French Door



Double French Door



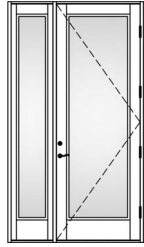
French Door Sidelite



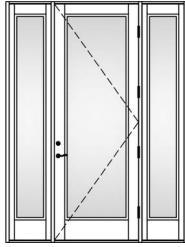
Single French Door Configurations



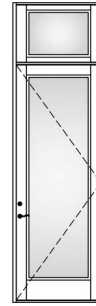
French Door X



French Door X w/Single Sidelite

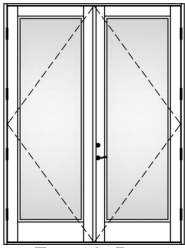


French Door X w/Double Sidelite

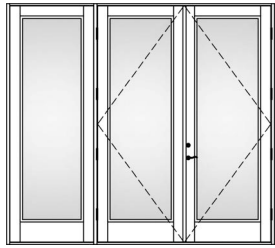


French Door X w/Transom

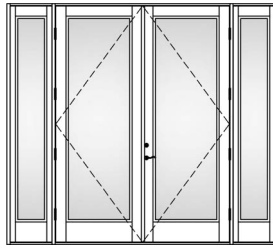
Double French Door Configurations



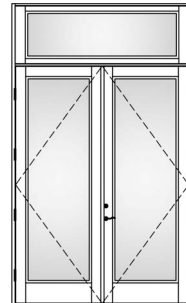
French Door XX



French Door XX w/Single Sidelite



French Door XX w/Double Sidelite



French Door XX w/Transom

French Door Sidelite Configurations



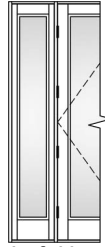
French Door Sidelite



French Door Sidelite w/Transom



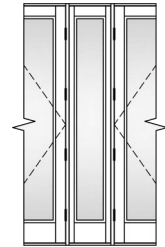
Standalone Sidelite



Left Hand Sidelite



Right Hand Sidelite



Center Sidelite



Outswing Hinge Right



Outswing Hinge Left

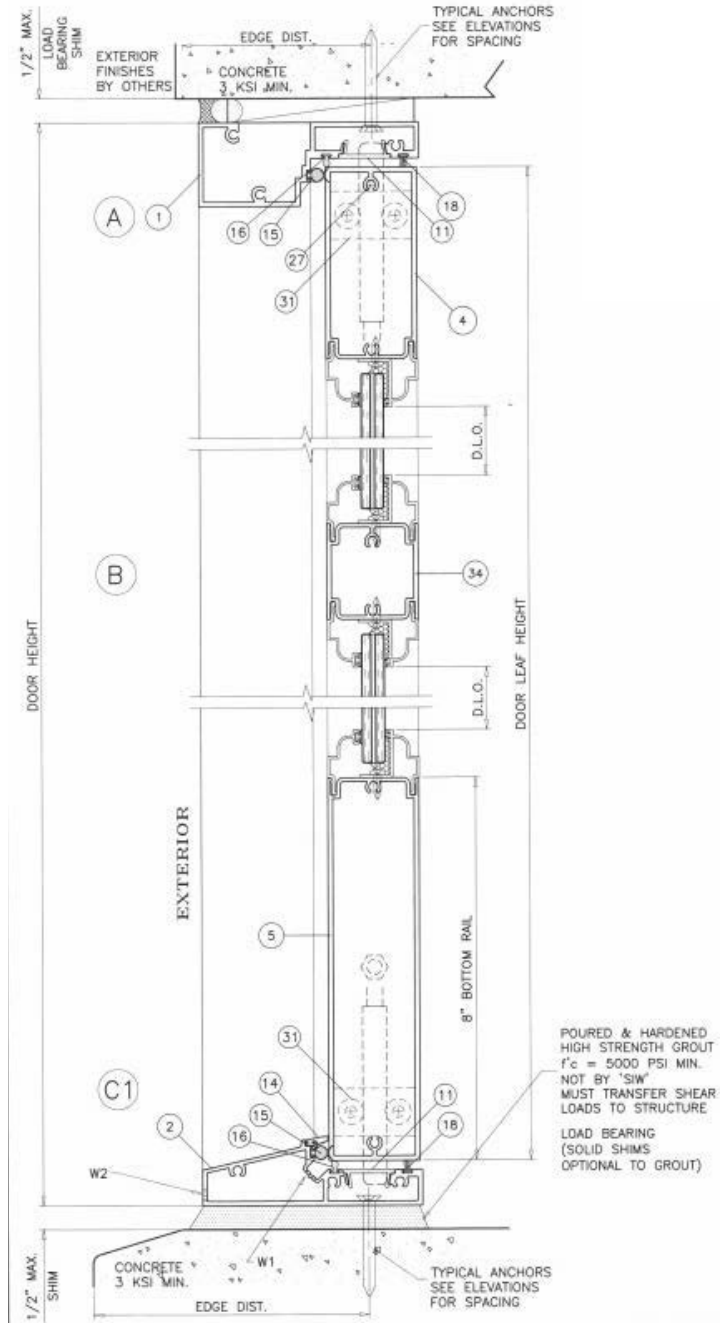


Inswing Hinge Right

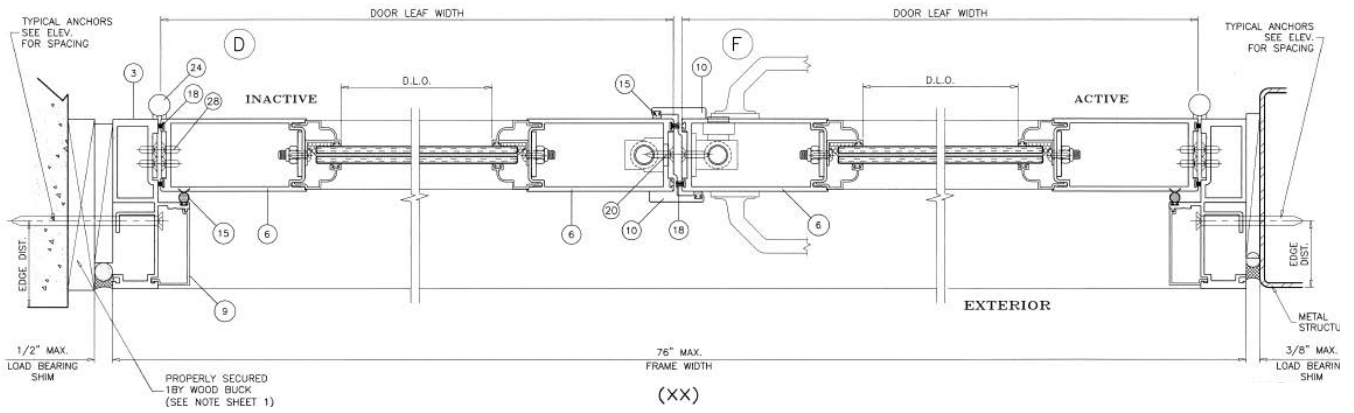
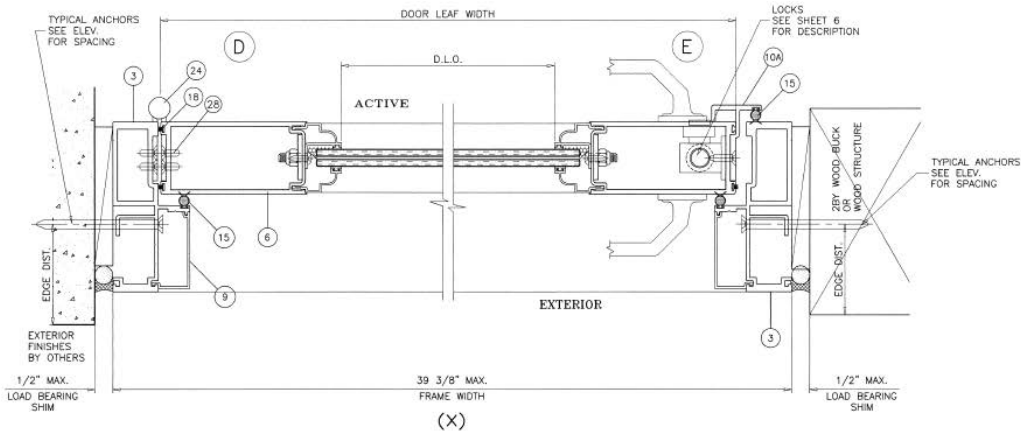


Inswing Hinge Left

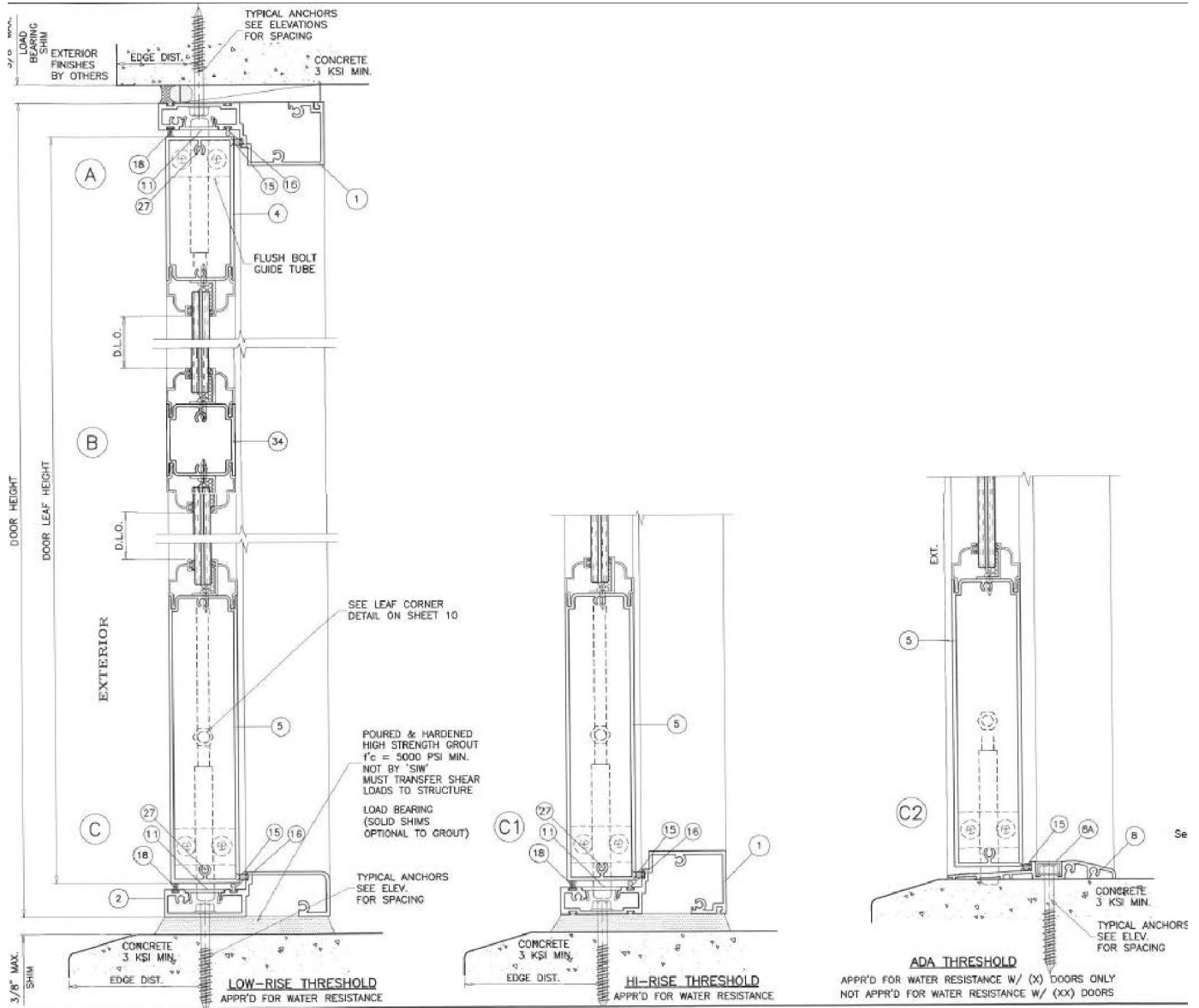
Section Details Inswing French Door



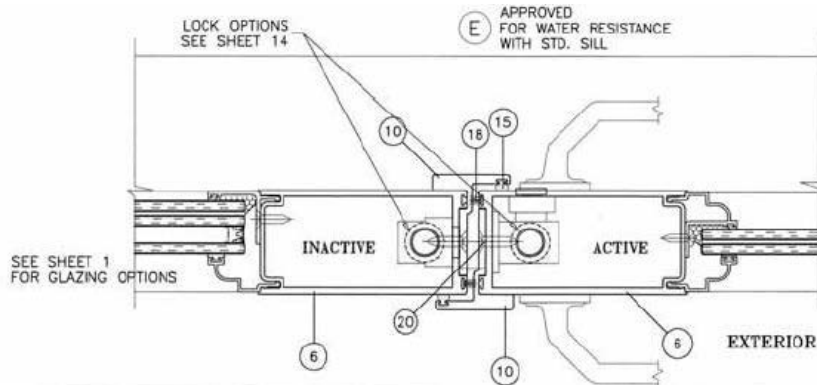
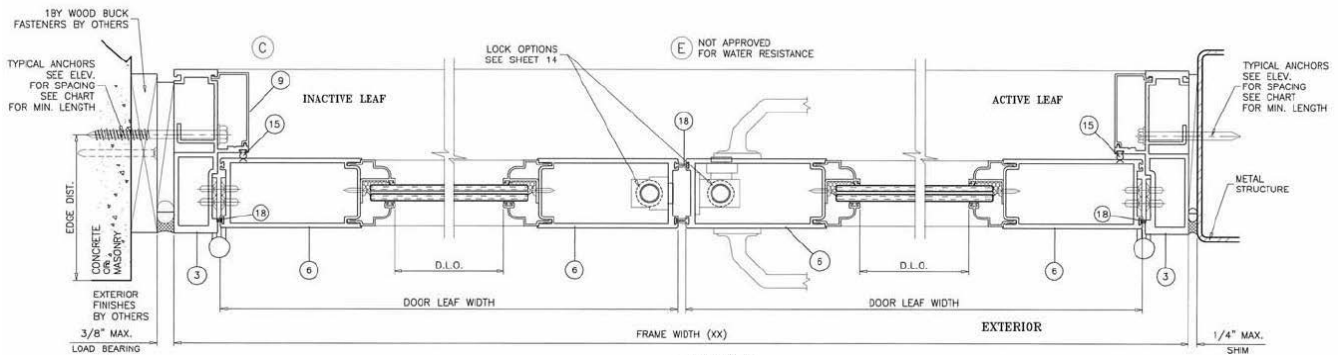
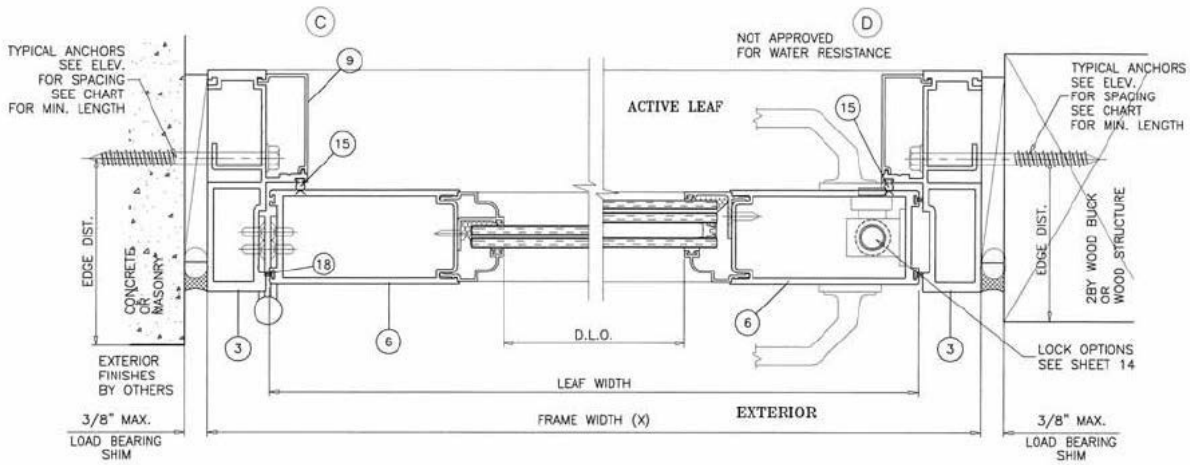
Section Details Inswing French Door



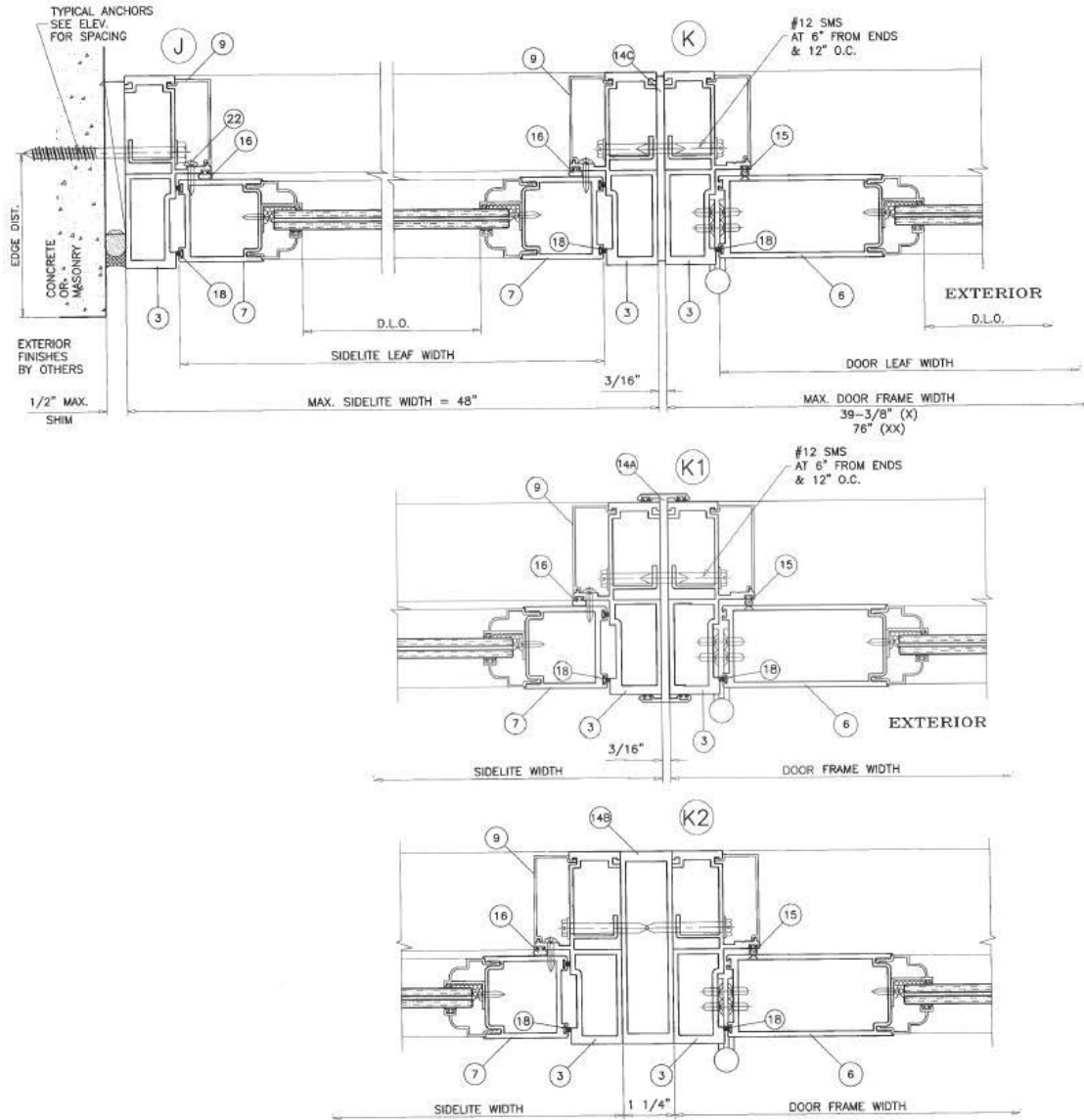
Section Details Outswing French Door



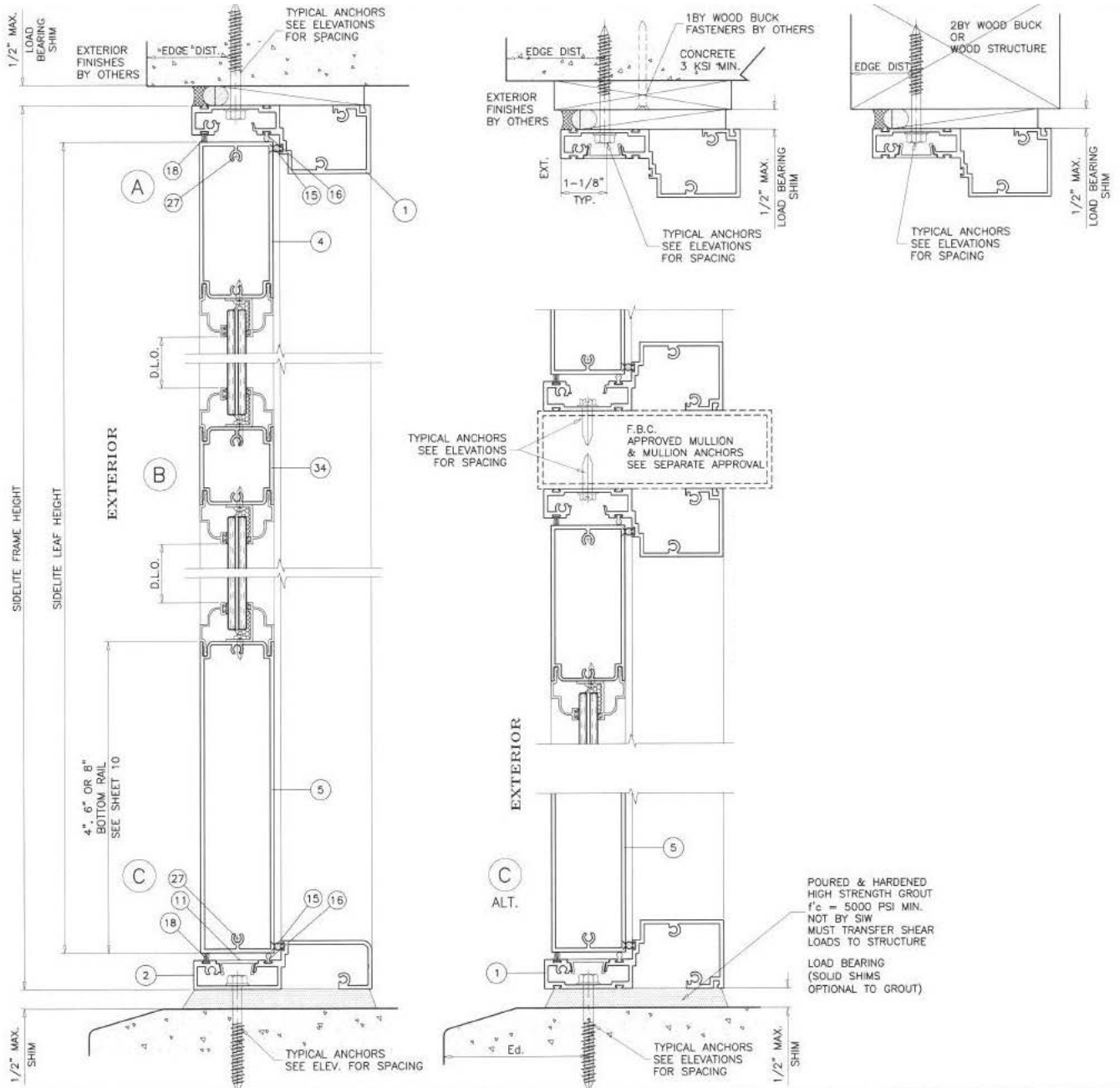
Section Details Outswing French Door



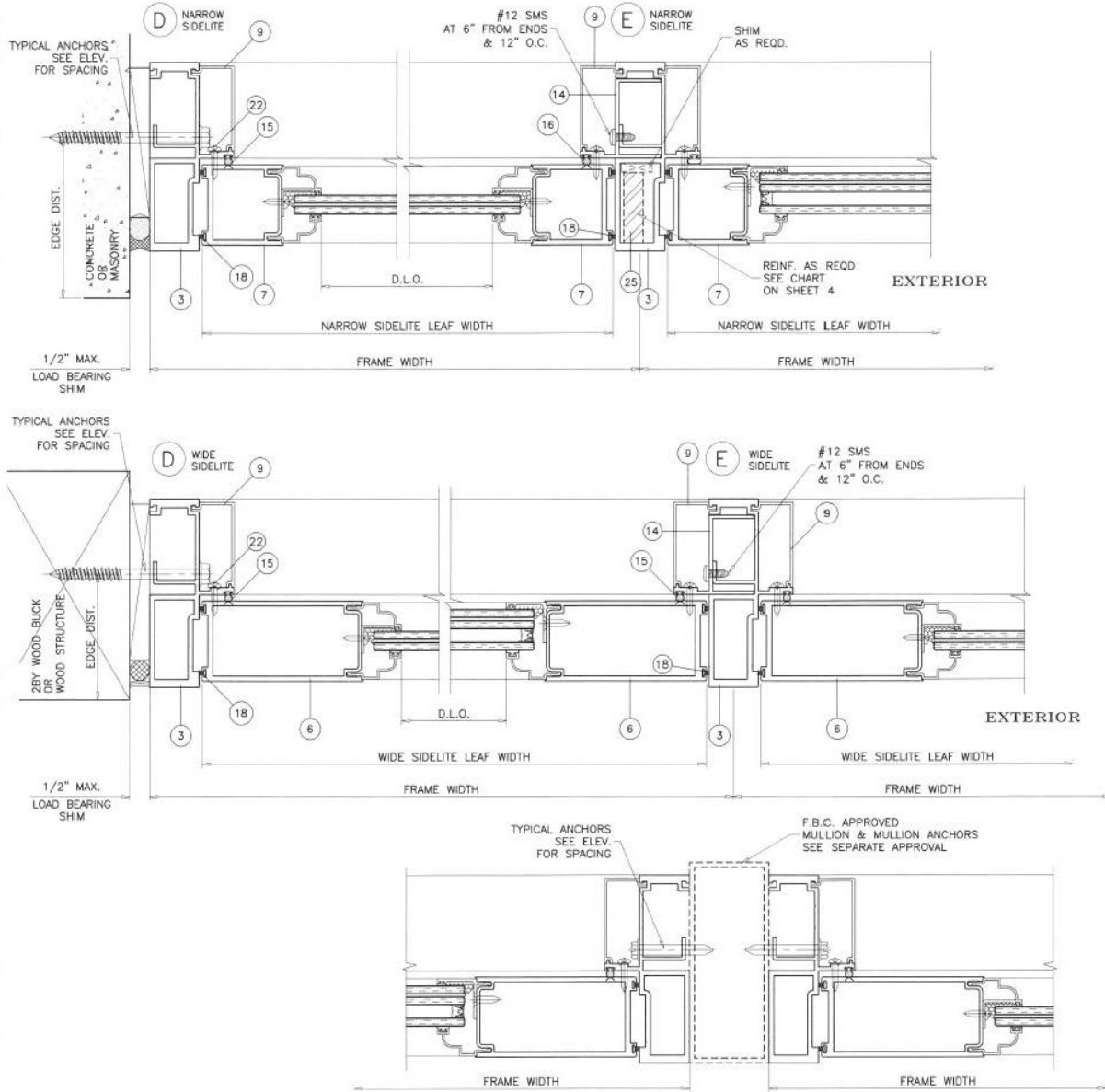
Section Details Mulling French Door



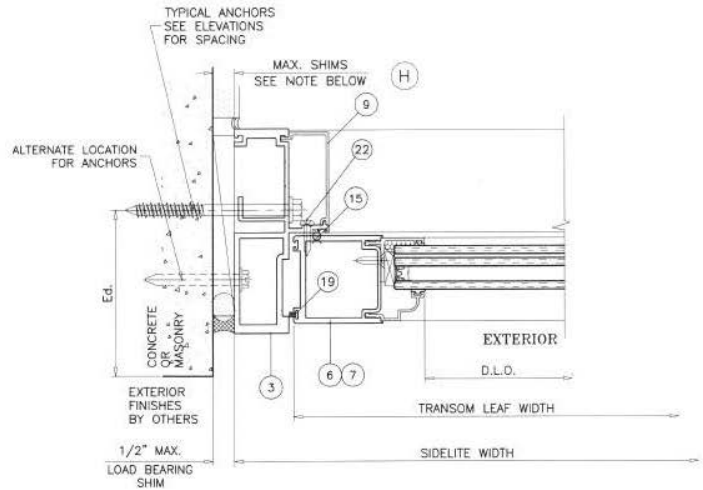
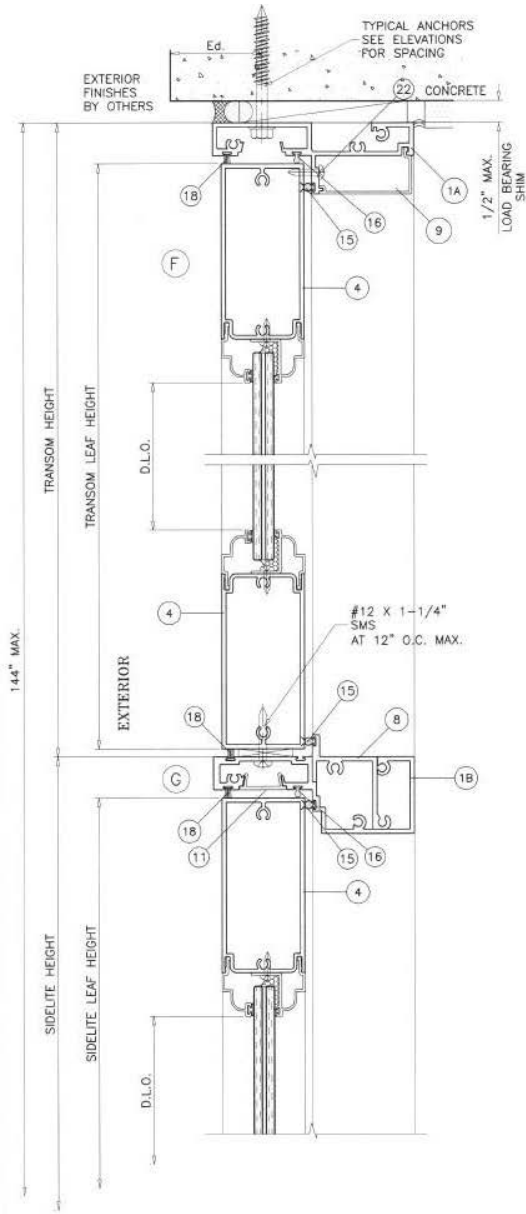
Section Details Sidelite/Transom French Door



Section Details Sidelite/Transom French Door



Section Details Sidelite/Transom Mull French Door



SHIM SPACE AT TRANSOM MULL ENDS:
 ANCHORS INTO WOOD, MASONRY OR CONC.
 1/2" MAX. SHIMS
 ANCHORS INTO METAL STRUCTURES
 1/4" MAX. SHIMS