



Ultimate Inswing Door 2.25 (3" Stiles)

Replacement Parts

Specifications and technical data are subject to change without notice.

Numbers listed in () parentheses are metric equivalents in millimeters rounded to the nearest whole number.

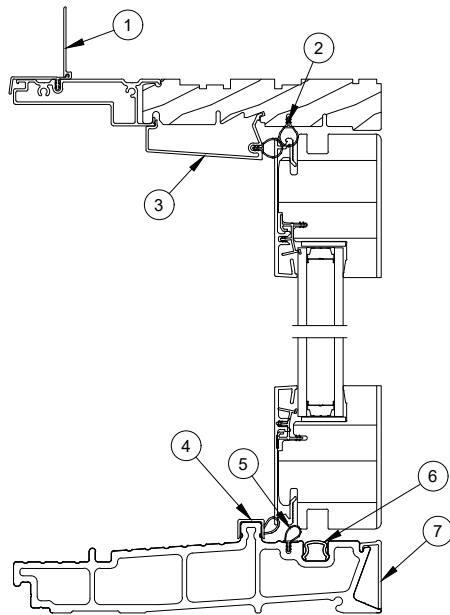
Suggested fasteners are not included and must be ordered separately.

Illustrations are not to scale.

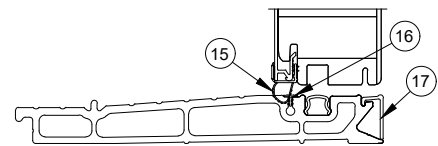
Contents

Product History.....	2
Part Identification - X R and XX R.....	3
Part Identification - Jamb.....	4
Part Identification - Stationary O.....	5
Part Identification - Transom.....	6
Part Identification - Transom Jamb.....	7
Panel Options.....	8
Installation Parts.....	9
Minimalist Handle.....	10
Minimalist Handle - Keyed Cylinder.....	19
Narrow Contemporary Handle.....	20
Narrow Contemporary Handle - Keyed Cylinder.....	25
Hinge Handing Location.....	26
Hinges.....	27
Miscellaneous Parts.....	28
Miscellaneous Parts - Accessibility Sill.....	34
Miscellaneous Parts - Discontinued - No Longer Available (NA).....	36
Lock Status Sensor Parts.....	37
Aluminum Parts.....	38
Vinyl Parts - Fabricated.....	40
Wood Parts - Fabricated.....	41
Weather Strip.....	42
Weather Strip - Fabricated.....	43
Sill Replacement - Configured Parts in OMS.....	44
Screen Replacement - Configured Parts in OMS.....	45
Service Only Parts.....	46

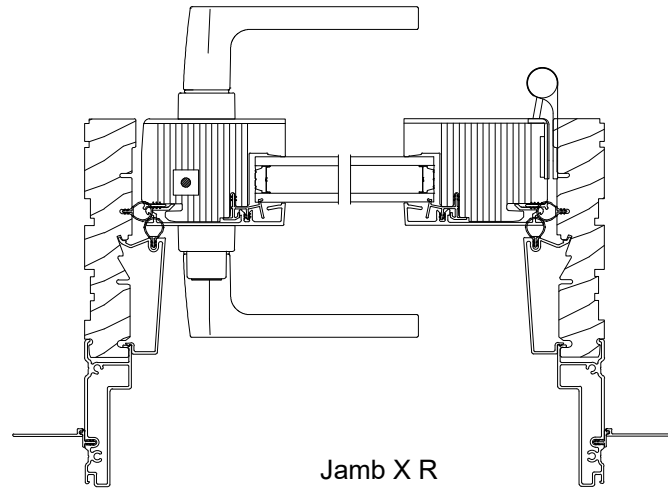
Produced	Unit Type	Features and Changes
2021	Ultimate Inswing Door 2.25 (3" Stiles)	06/28/2021: Introduced the Ultimate Inswing Door 2.25 (3" Stiles). 10/25/2021: Standard screen mesh changed to Marvin Bright View™. See Product Bulletin 793 for more details.
2022	Ultimate Inswing Door 2.25 (3" Stiles)	02/28/2022: The Ultimate Inswing Door 2.25 (3" Stiles) is now available with Impact Zone 3 (IZ3) certification. See Product Bulletin 807 for more details.
2023	Ultimate Inswing Door 2.25 (3" Stiles)	10/30/2023: An ERS coating became available as a standard option for current Triple Pane offerings. See Product Bulletin 904 for more details.
2024	Ultimate Inswing Door 2.25 (3" Stiles)	02/26/2024: Performance Sill color changes from Bronze to Ebony, see Product Bulletin 909 for more information. Added panel options, see Product Bulletin 910 for additional information. Narrow Contemporary Handle options were added for the Ultimate Swinging Door 2.25, see Product Bulletin 911 for more information. 04/29/2024: Replacement Sills were made available in Configured Parts in OMS. 10/28/2024: Accessibility Sill became available. See Product Bulletin 938 for more information. The Bronze Performance sill moved to Discontinued - No Longer Available status (DISC-NA). See Product Bulletin 909 for more information. 11/25/2024: Updated Adjustable Hinge Packages to G2 version, utilizing the current adjustable hinge with G2 fastener usage.



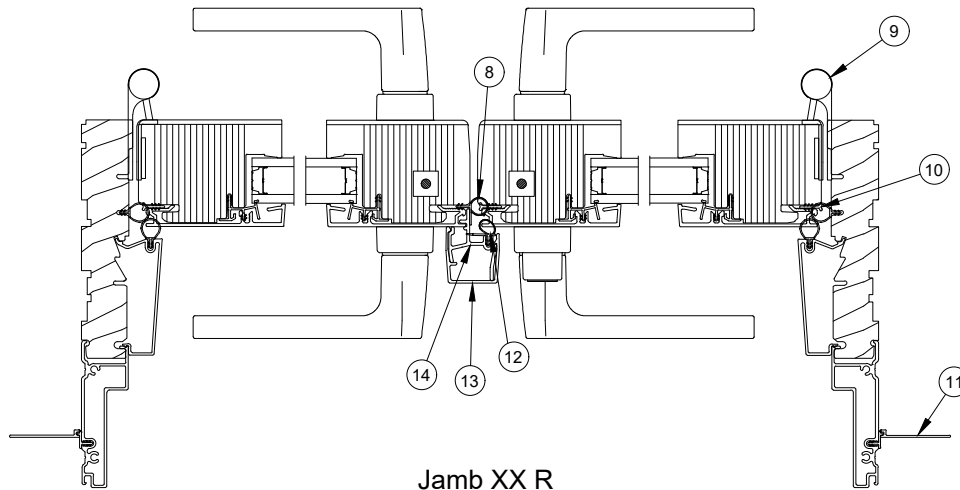
Head Jamb and Performance Sill Detail



Accessibility Sill Detail



Jamb X R

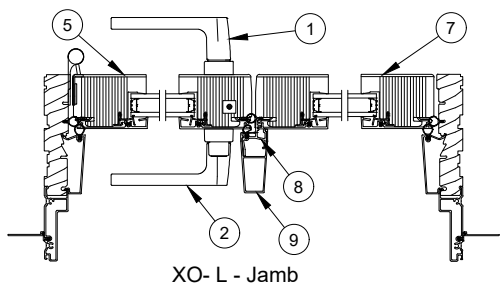


Jamb XX R

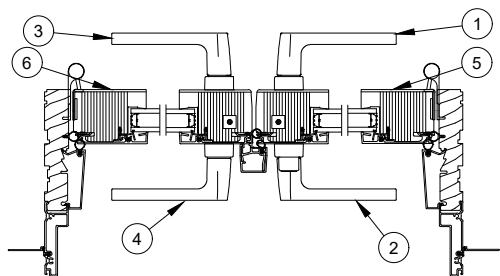
1. Head Jamb Nailing Fin, V119
2. Frame/Parting Stop Weather Strip, V3200
3. Jamb/Head Jamb Parting Stop, A3637
4. Sill Weather Strip, V2026
5. Secondary Sill Weather Strip, Inswing, V3239
6. Interior Sill Filler, V3120

7. Sill Liner, A3727
8. Astragal Panel Weather Strip, V3173
9. Adjustable Hinge
10. Wedge Frame Spacer, V2421
11. Jamb Nailing Fin, V104
12. Astragal Base Weather Strip, V3208

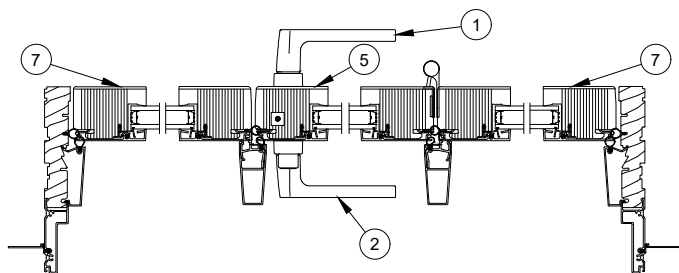
13. Astragal Cover, A3634
14. Mull Base, A3633
15. Weather Strip, Accessibility Sill, V03406
16. Kerf Filler, Accessibility Sill, V03427
17. Sill Liner, Accessibility Sill, A03955



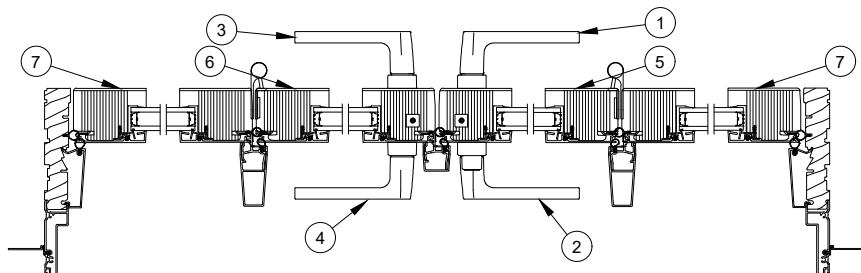
XO- L - Jamb



XX- R - Jamb

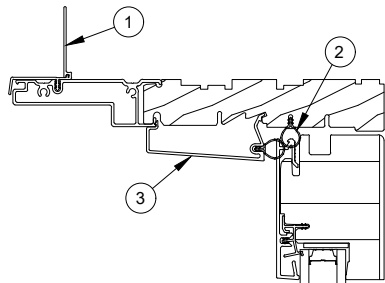


OXO R - Jamb Detail

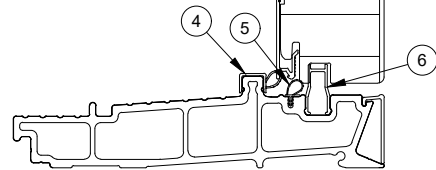


OXXO R - Jamb Detail

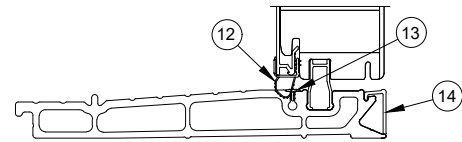
1. Active Handle, Interior
2. Active Handle, Exterior
3. Inactive Handle, Interior
4. Inactive Handle, Exterior
5. Active Panel
6. Inactive Panel
7. Stationary Panel
8. Mull Base, A3633
9. Mull Post, A3635



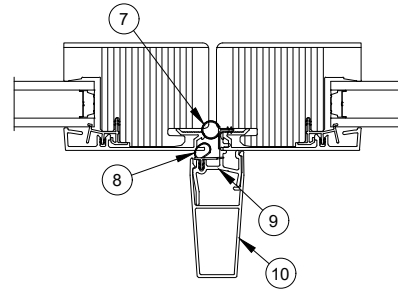
Head Jamb and Performance Sill Detail



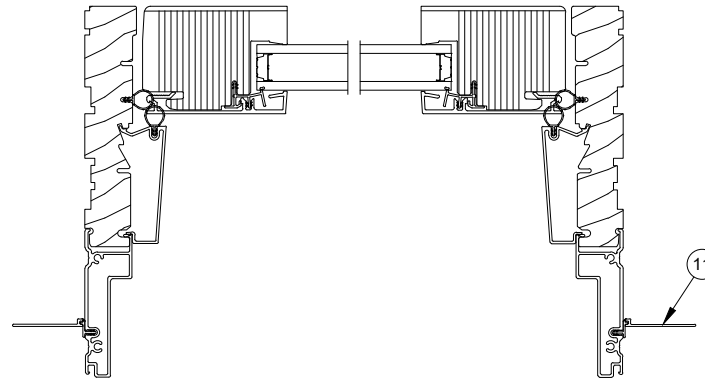
Accessibility Sill Detail



OO - Meeting Stile Detail



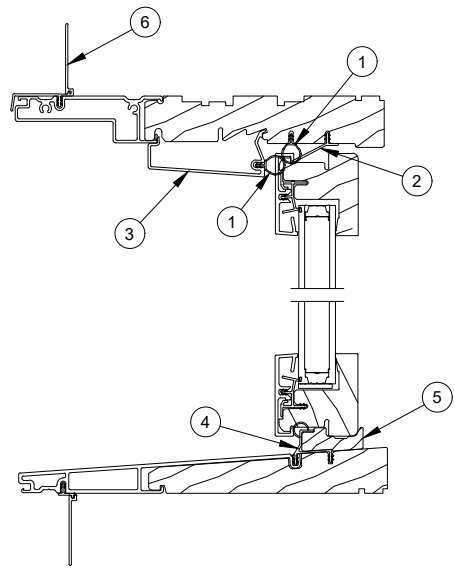
Stationary Jamb Detail



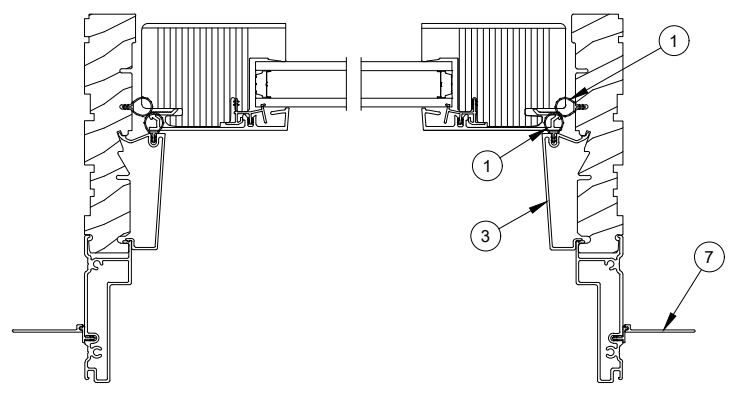
- 1. Head Jamb Nailing Fin, V119
- 2. Frame/Parting Stop Weather Strip, V3200
- 3. Jamb/Head Jamb Parting Stop, A3637
- 4. Sill Weather Strip, V2026
- 5. Secondary Sill Weather Strip, Inswing, V3239

- 6. Stationary Block, Interior Sill, A3757
- 7. Astragal Panel Weather Strip, V3173
- 8. Astragal Base Weather Strip, V3208
- 9. Mull Base, A3633
- 10. Mull Post, A3635

- 11. Jamb Nailing Fin, V104
- 12. Weather Strip, Accessibility Sill, V03406
- 13. Kerf Filler, Accessibility Sill, V03427
- 14. Sill Liner, Accessibility Sill, A03955

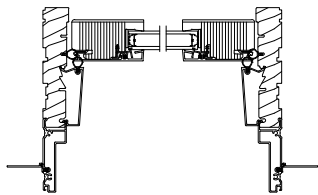


Head Jamb and Sill

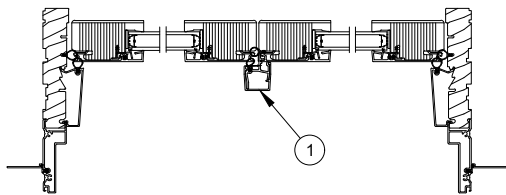


Jamb

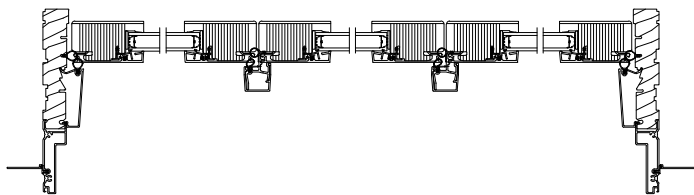
1. Frame/Parting Stop Weather Strip, V3200
2. Sash Retainer, 6 9/16" Jambs, V3141
3. Jamb/Head Jamb Parting Stop, A3637
4. Sill Weather Strip, Inswing Transom, V3121
5. Interior Sill Filler, 1 3/4", W13565
6. Head Jamb Nailing Fin, V119
7. Sill/Jamb Nailing Fin, V104



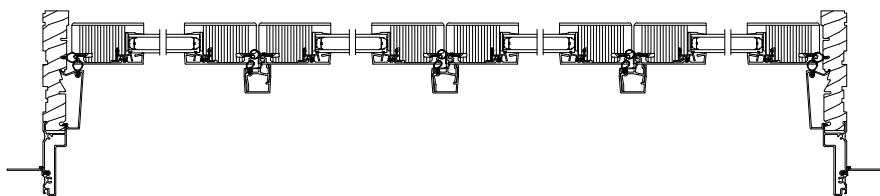
Single Panel Transom Jamb



2 Panel Transom Jamb

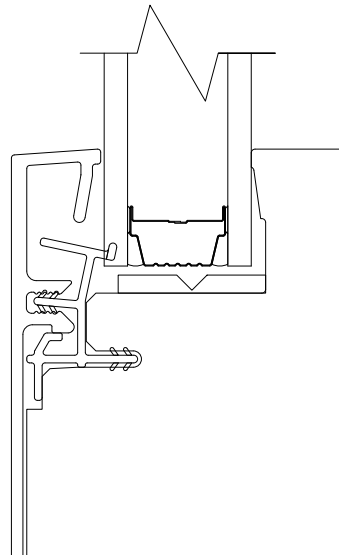


3 Panel Transom Jamb

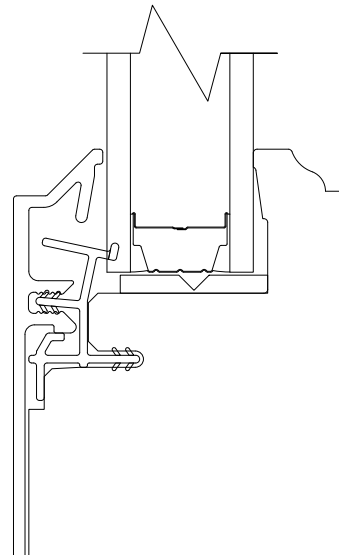


4 Panel Transom Jamb

1. Astragal Cover, A3634



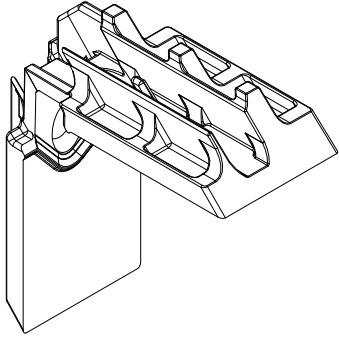
Standard
Square Interior
Square Exterior



Option
Ogee Interior
Putty Exterior

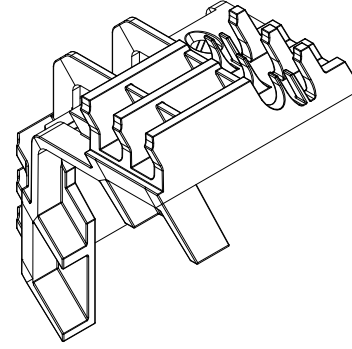
4 9/16" Upper Frame Key

Color	PN
Black	11869925



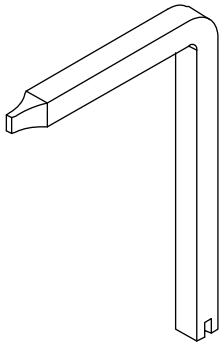
6 9/16" Upper Frame Key

Color	PN
Black	11869926



Construction Handle

PN
10830451

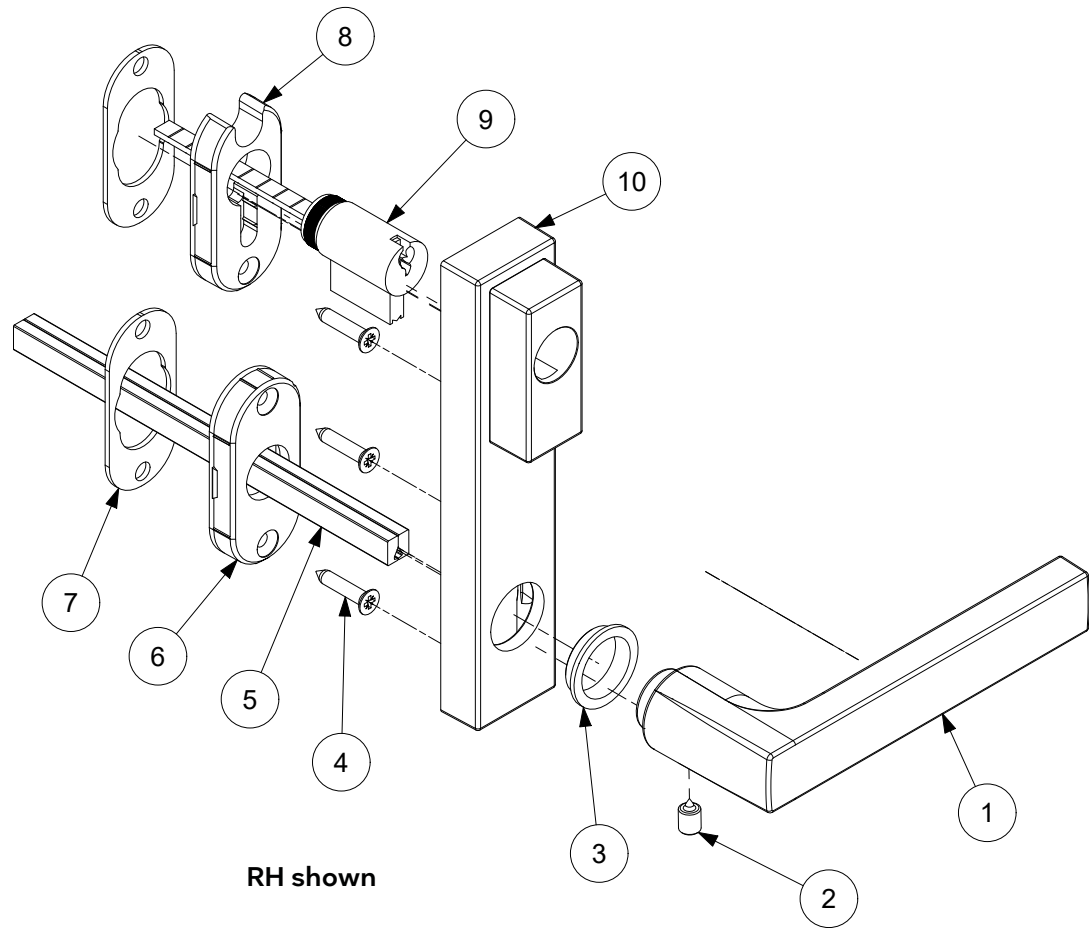


Minimalist Handle, Exterior, Active, Keyed

Includes:

- 1 - Lever handle (1)
- 1 - Set screw (2)
- 1 - Lever bushing (3)
- 3 - Wood screws (4)
- 1 - Split spindle, 2 1/4" doors (5)
- 1 - Split spindle, 1 3/4" doors (5)
- 1 - Lever rosette base (6)
- 2 - Gasket, rosette base (7)
- 1 - Cylinder rosette base (8)
- 1 - Keyed cylinder (9)
- 2 - Keys
- 1 - Exterior Escutcheon with cylinder housing (10)
- 1 - Installation instruction
- 1 - Hex wrench

LH Inswing Panel uses LH PN RH Inswing Panel uses RH PN		
Color	LH PN	RH PN
Matte Black	11870040	11870032
Satin Nickel PVD	11870042	11870034
Oil Rubbed Bronze PVD	11870044	11870036
Dark Bronze	11870046	11870038

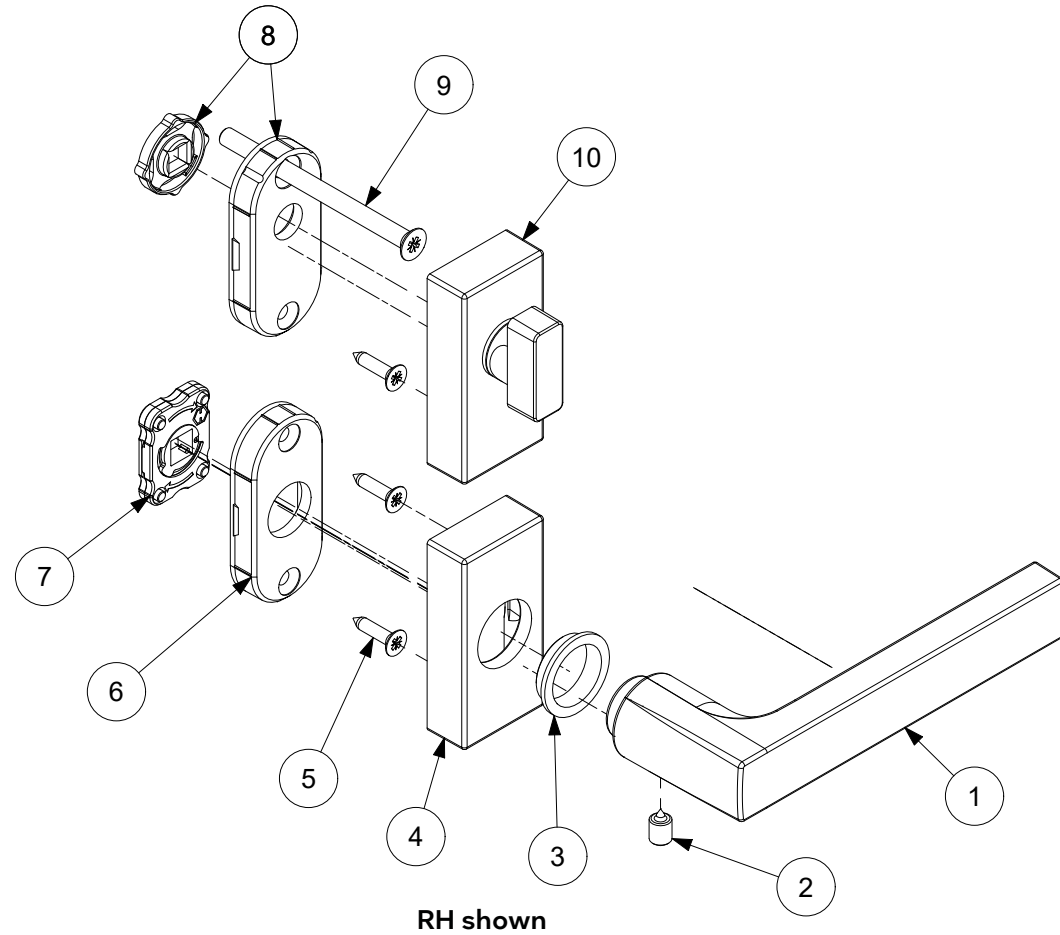


Minimalist Handle, Interior, Active, Keyed

Includes:

- 1 - Lever handle (1)
- 1 - Set screw (2)
- 1 - Lever bushing (3)
- 1 - Lever rosette (4)
- 3 - Wood screws (5)
- 1 - Lever rosette base (6)
- 1 - Spring cartridge (7)
- 1 - Thumb turn rosette base with washer (8)
- 1 - M5 x 70 machine screw (9)
- 1 - M5 x 60 machine screw (9)
- 1 - Thumb turn rosette assembly (10)

LH Inswing Panel uses RH PN RH Inswing Panel uses LH PN		
Color	LH PN	RH PN
Matte Black	11870008	11870001
Satin Nickel PVD	11870010	11870002
Oil Rubbed Bronze PVD	11870012	11870004
Dark Bronze	11870014	11870006

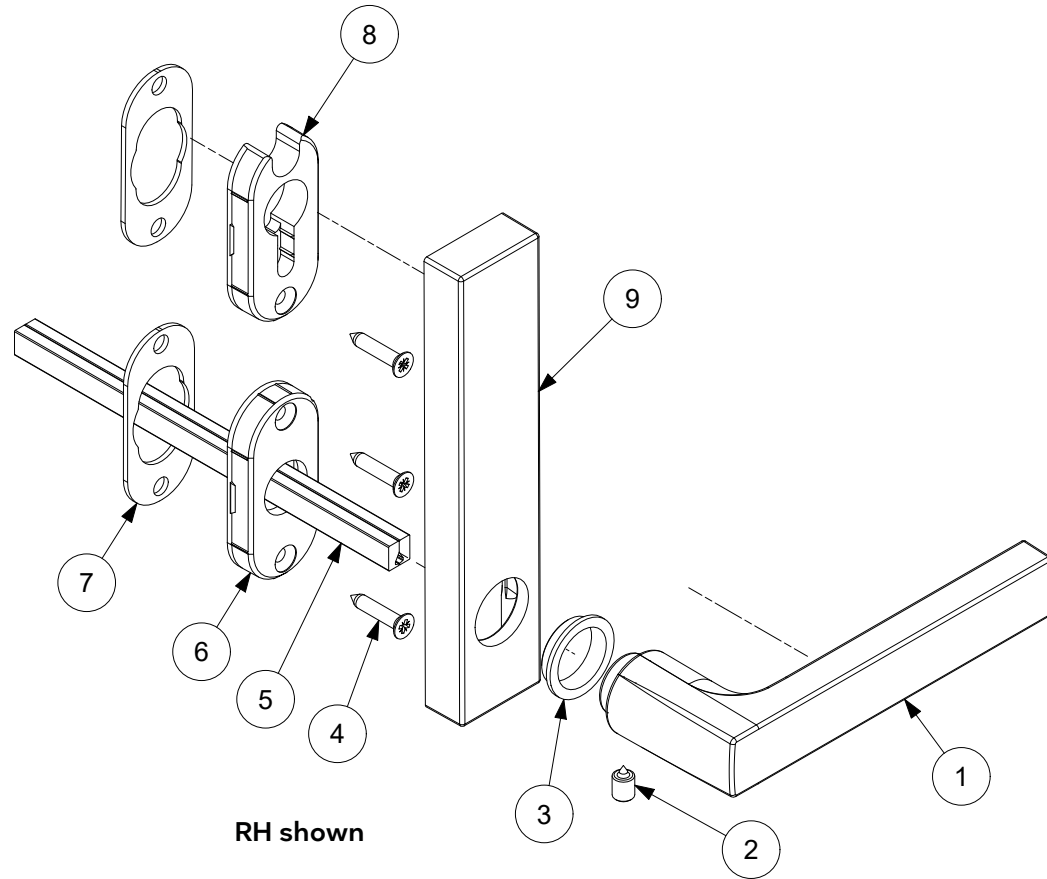


Minimalist Handle, Exterior, Active, Non-Keyed

Includes:

- 1 - Lever handle (1)
- 1 - Set screw (2)
- 1 - Lever bushing (3)
- 3 - Wood screws (4)
- 1 - Split spindle, 2 1/4" doors (5)
- 1 - Split spindle, 1 3/4" doors (5)
- 1 - Lever rosette base (6)
- 2 - Gasket, rosette base (7)
- 1 - Cylinder rosette base (8)
- 1 - Backplate, exterior, non-keyed (9)
- 1 - Installation instruction

LH Inswing Panel uses LH PN RH Inswing Panel uses RH PN		
Color	LH PN	RH PN
Matte Black	11870024	11870017
Satin Nickel PVD	11870026	11870018
Oil Rubbed Bronze PVD	11870028	11870020
Dark Bronze	11870030	11870022

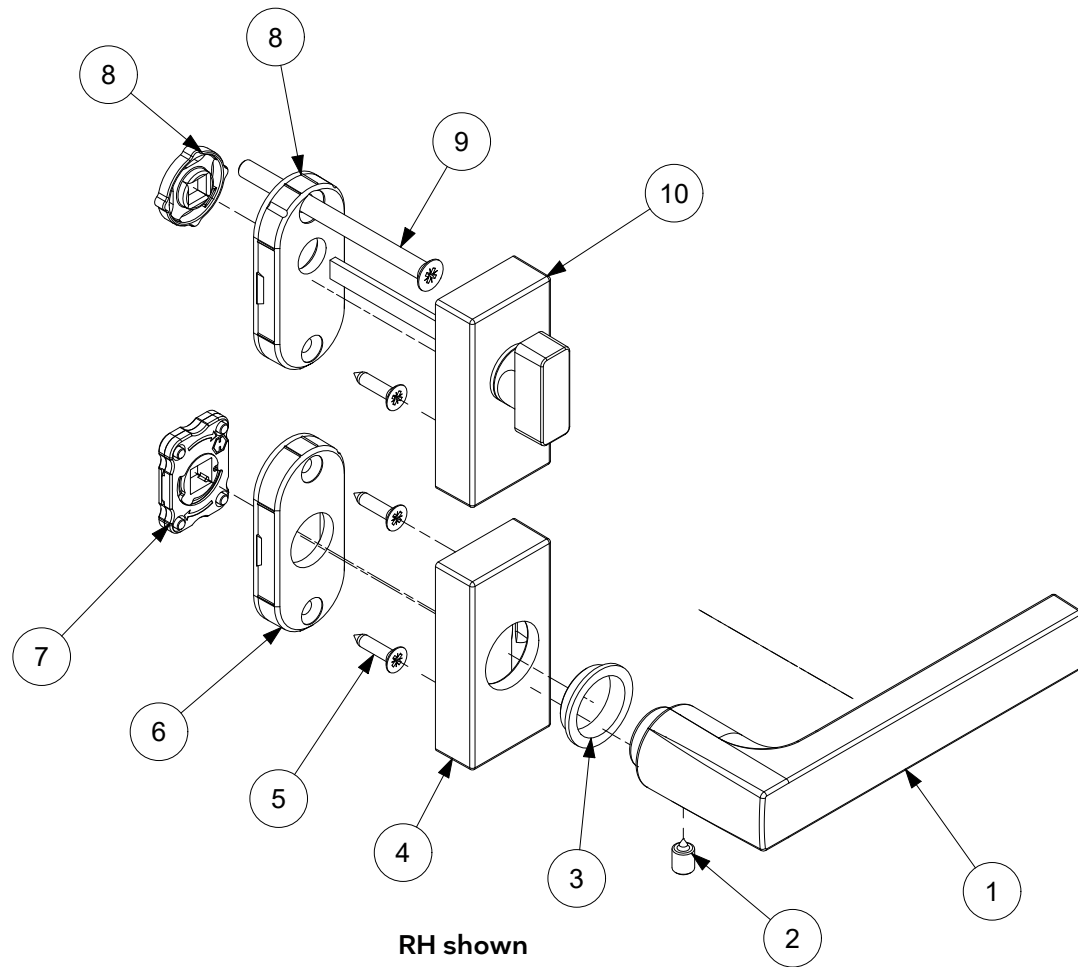


Minimalist Handle, Interior, Active, Non-Keyed

Includes:

- 1 - Lever handle (1)
- 1 - Set screw (2)
- 1 - Lever bushing (3)
- 1 - Lever rosette (4)
- 3 - Wood screws (5)
- 1 - Lever rosette base (6)
- 1 - Spring cartridge (7)
- 1 - Thumb turn rosette base with washer (8)
- 1 - M5 x 70 machine screw (9)
- 1 - M5 x 60 machine screw (9)
- 1 - Thumb turn rosette assembly (10)

LH Inswing Panel uses RH PN RH Inswing Panel uses LH PN		
Color	LH PN	RH PN
Matte Black	11870056	11870048
Satin Nickel PVD	11870058	11870050
Oil Rubbed Bronze PVD	11870060	11870052
Dark Bronze	11870062	11870054

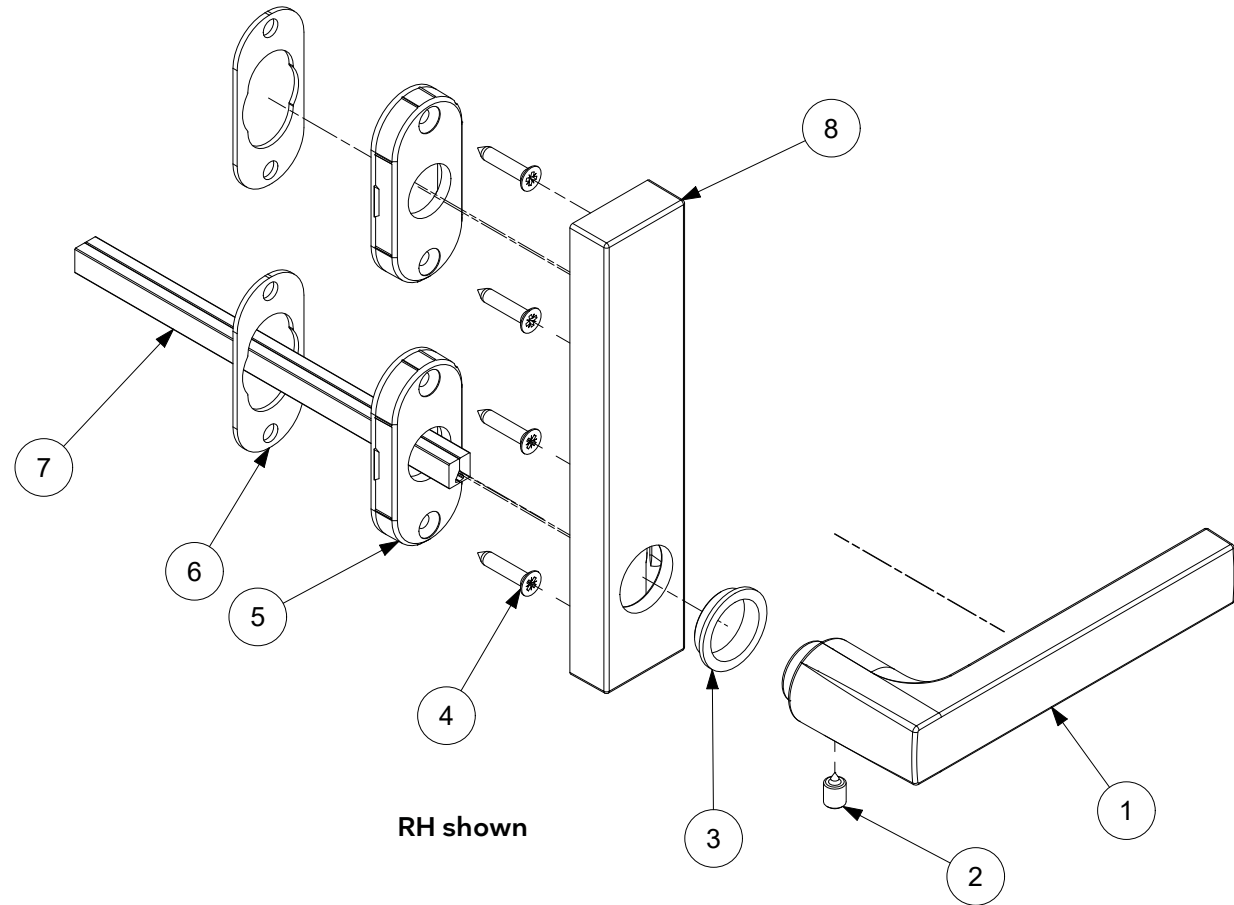


Minimalist Handle, Exterior, Inactive/Dummy

Includes:

- 1 - Lever handle (1)
- 1 - Set screw (2)
- 1 - Lever bushing (3)
- 4 - Wood screws (4)
- 2 - Lever rosette base (5)
- 2 - Lever rosette gasket (6)
- 1 - Split spindle, 2 1/4" Doors (7)
- 1 - Split spindle, 1 3/4" Doors (7)
- 1 - Backplate, escutcheon, non-keyed (8)
- 1 - Hex wrench
- 1 - Installation instruction

LH Inswing Panel uses LH PN RH Inswing Panel uses RH PN		
Color	LH PN	RH PN
Matte Black	11870072	11870064
Satin Nickel PVD	11870074	11870066
Oil Rubbed Bronze PVD	11870076	11870069
Dark Bronze	11870078	11870071

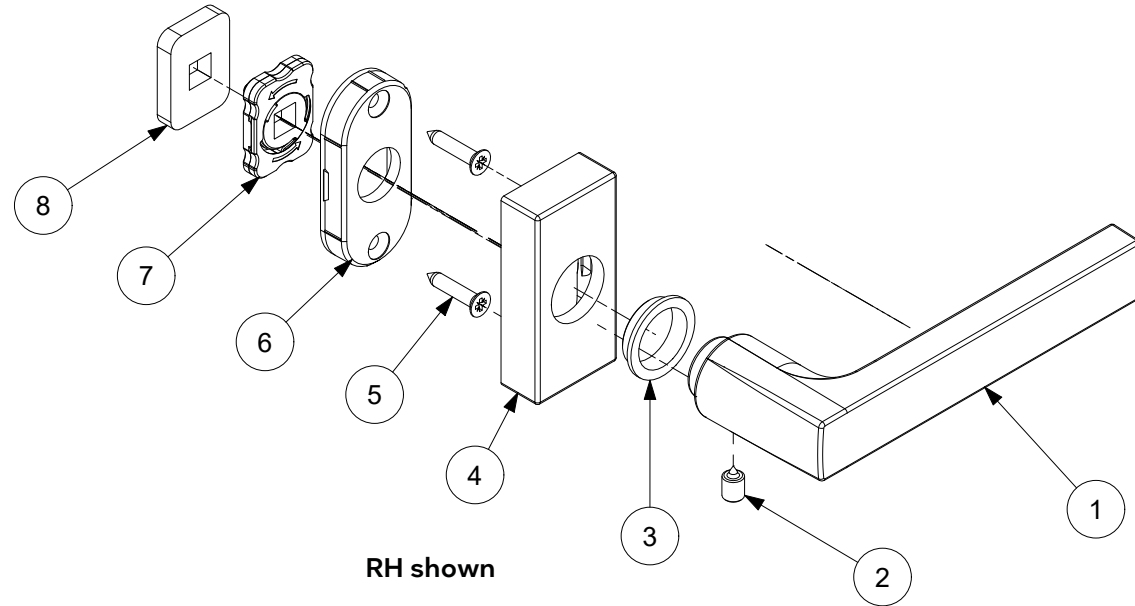


Minimalist Handle, Interior, Inactive/Dummy

Includes:

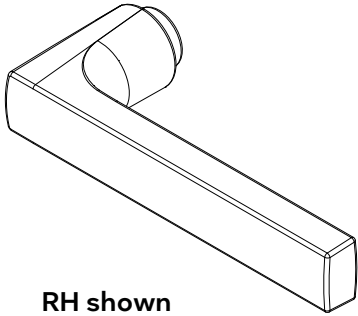
- 1 - Lever handle (1)
- 1 - Set screw (2)
- 1 - Lever bushing (3)
- 1 - Lever rosette (4)
- 2 - Wood screws (5)
- 1 - Lever rosette base (6)
- 1 - Spring cartridge (7)
- 1 - Fixing plate (8)
- 1 - Installation instruction
- 1 - Hex wrench

LH Inswing Panel uses RH PN RH Inswing Panel uses LH PN		
Color	LH PN	RH PN
Matte Black	11870088	11870081
Satin Nickel PVD	11870090	11870082
Oil Rubbed Bronze PVD	11870092	11870084
Dark Bronze	11870094	11870086



Lever Handle

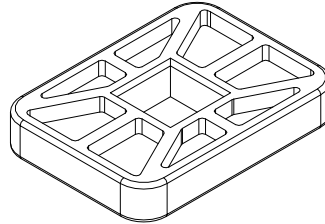
Color	LH PN	RH PN
Matte Black	11869951	11869950
Satin Nickel PVD	11869953	11869952
Oil Rubbed Bronze PVD	11869955	11869954
Dark Bronze	11869957	11869956



RH shown

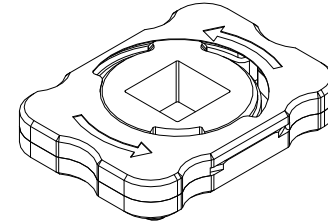
Fixing Plate, Dummy

PN
11869978



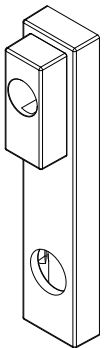
Spring Cartridge

PN
11869979



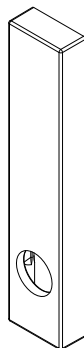
Backplate, Exterior, Keyed

Color	PN
Matte Black	11869960
Satin Nickel PVD	11869961
Oil Rubbed Bronze PVD	11869962
Dark Bronze	11869963



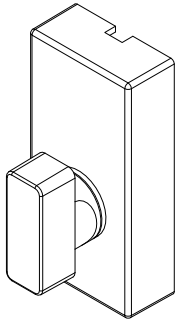
Backplate, Exterior, Non-Keyed

Color	PN
Matte Black	11869964
Satin Nickel PVD	11869965
Oil Rubbed Bronze PVD	11869966
Dark Bronze	11869967



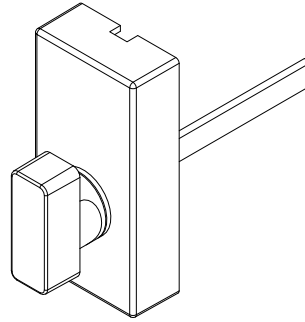
Thumb Turn Rosette Assembly, Keyed

Color	PN
Matte Black	11869972
Satin Nickel PVD	11869973
Oil Rubbed Bronze PVD	11869974
Dark Bronze	11869975



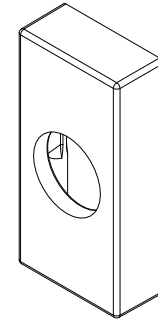
Thumb Turn Rosette Assembly, Non-Keyed

Color	PN
Matte Black	11869985
Satin Nickel PVD	11869986
Oil Rubbed Bronze PVD	11869988
Dark Bronze	11869987



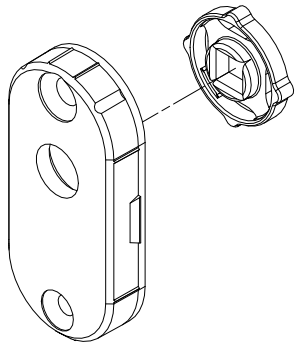
Handle Rosette

Color	PN
Matte Black	11869968
Satin Nickel PVD	11869969
Oil Rubbed Bronze PVD	11869970
Dark Bronze	11869971



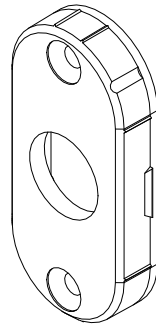
Thumb Turn Rosette Base and Washer

PN
11869983



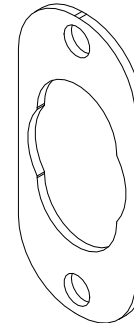
Handle Rosette Base

PN
11869981



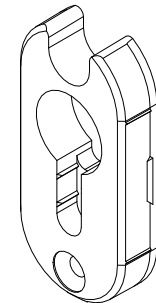
Gasket, Rosette Base

PN
11869980



Cylinder Rosette Base

PN
11869982

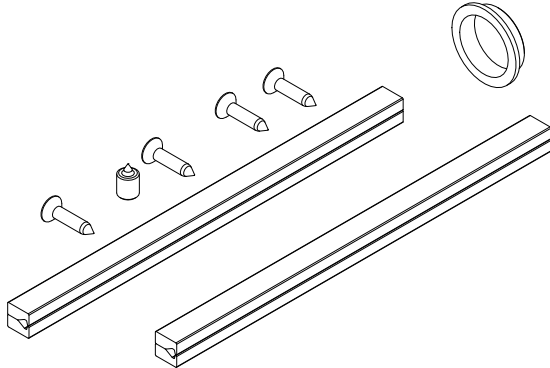


Field Service Parts Kit, Exterior

Includes:

- 4 - 3.9x19MM screw
- 1 - Set screw
- 1 - 8 x 130 mm spindle
- 1 - 8 x 140 mm spindle
- 1 - Lever bushing
- 1 - Hex wrench

PN
11844035

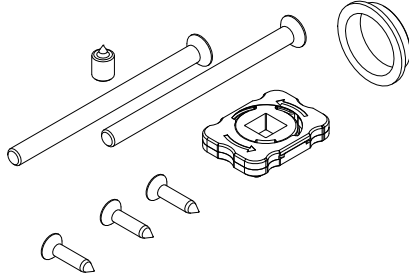


Field Service Parts Kit, Interior

Includes:

- 1 - Set screw
- 1 - M5 x 60 machine screw
- 1 - M5 x 70 machine screw
- 3 - 3.9 x 19 mm screw
- 1 - Spring cartridge
- 1 - Lever bushing
- 1 - Hex wrench

PN
11844036



Keyed Cylinder

(Schalge "C" keyway)

For service replacement only.

Includes:

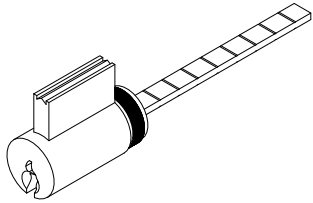
2 - keys

NOTE: For Keyed Alike orders, use program C87P2

Satin Nickel PVD and Matte Black use Chrome Face

Oil Rubbed Bronze PVD and Dark Bronze use Brass Face

Minimalist Handle	
Color	PN
Brass Face	10148228
Chrome Face	10833005

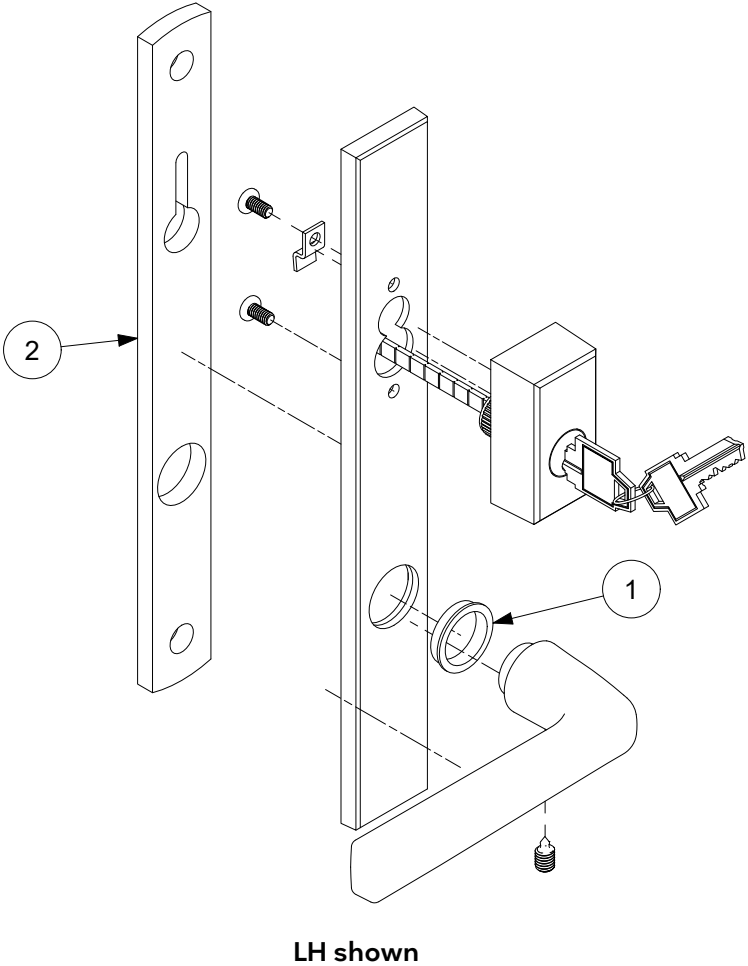


Narrow Contemporary Handle, Exterior, Active, Keyed

Includes:

- 1 - Lever
- 1 - Lever bushing (1)
- 1 - Escutcheon with keyed cylinder
- 1 - Escutcheon gasket (2)
- 1 - Set screw
- 1 - Hex wrench

LH Inswing Panel uses LH PN RH Inswing Panel uses RH PN		
Color	LH PN	RH PN
Matte Black	11871510	11871511
Satin Nickel PVD	11871512	11871513
Oil Rubbed Bronze PVD	11871514	11871515
Dark Bronze	11871516	11871517

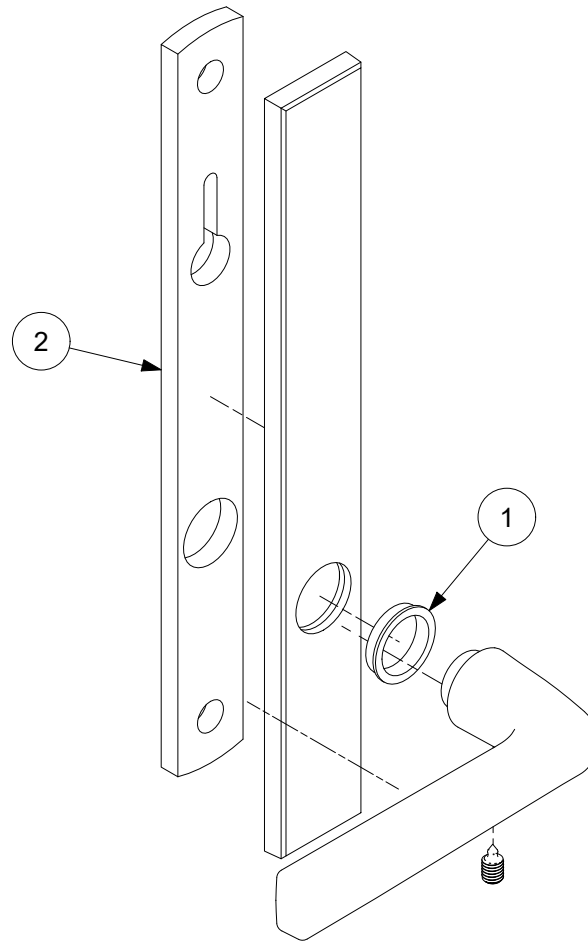


Narrow Contemporary Handle, Exterior, Inactive/Dummy

Includes:

- 1 - Lever
- 1 - Lever bushing (1)
- 1 - Escutcheon
- 1 - Escutcheon gasket (2)
- 1 - Set screw
- 1 - Hex wrench

LH Inswing Panel uses LH PN RH Inswing Panel uses RH PN		
Color	LH PN	RH PN
Matte Black	11871530	11871531
Satin Nickel PVD	11871532	11871533
Oil Rubbed Bronze PVD	11871534	11871535
Dark Bronze	11871536	11871537



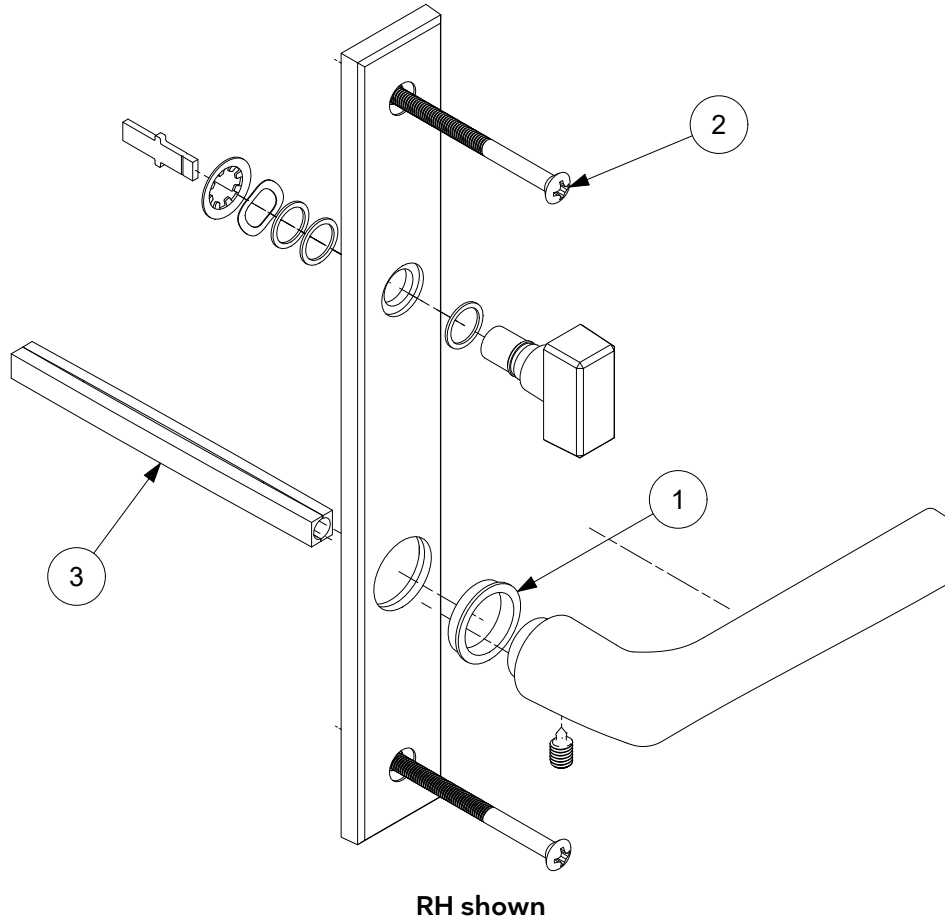
LH shown

Narrow Contemporary Handle, Interior, Active

Includes:

- 1 - Lever
- 1 - Lever bushing (1)
- 1 - Escutcheon with thumb turn
- 2 - Machine screw (2)
- 1 - Set screw
- 1 - Split spindle (3)
- 1 - Hex wrench
- 1 - Installation instruction

LH Inswing Panel uses RH PN RH Inswing Panel uses LH PN		
Color	LH PN	RH PN
Matte Black	11871520	11871521
Satin Nickel PVD	11871522	11871523
Oil Rubbed Bronze PVD	11871524	11871525
Dark Bronze	11871526	11871527

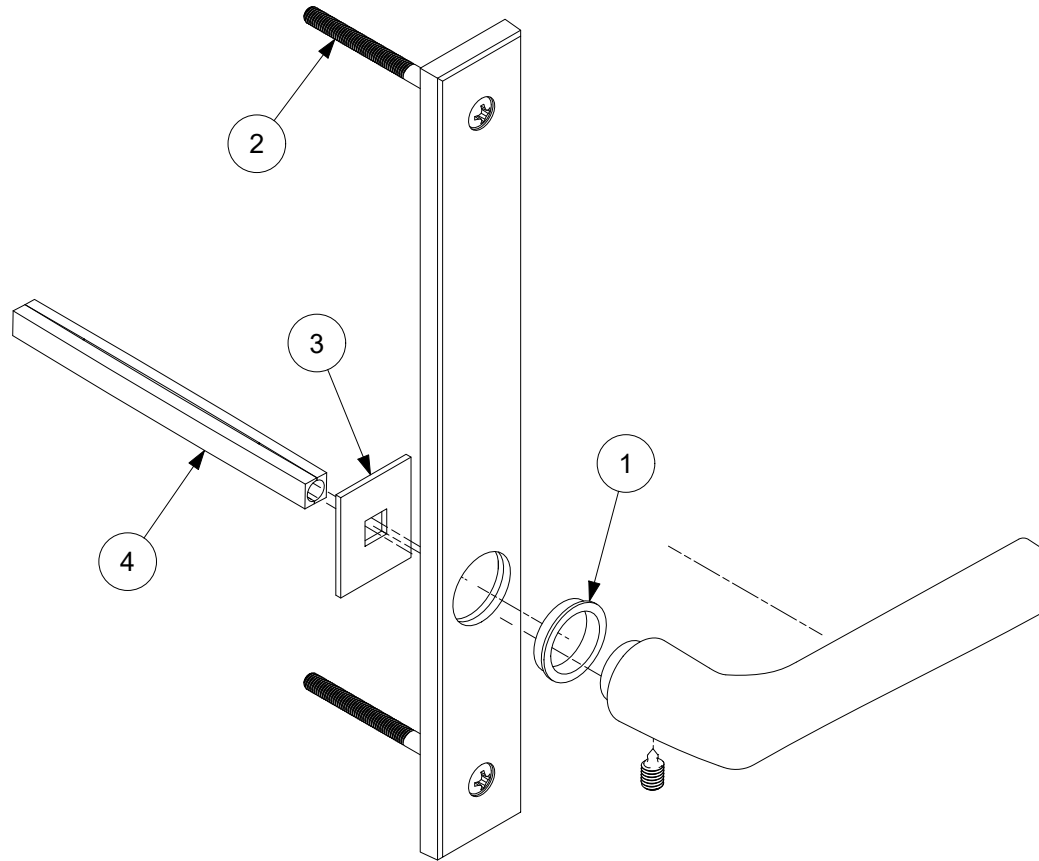


Narrow Contemporary Handle, Interior, Inactive/Dummy

Includes:

- 1 - Lever
- 1 - Lever bushing (1)
- 1 - Escutcheon
- 2 - Machine screws (2)
- 1 - Locking plate (3)
- 1 - Split spindle (4)
- 1 - Set screw
- 1 - Hex wrench
- 1 - Installation instruction

LH Inswing Panel uses RH PN RH Inswing Panel uses LH PN		
Color	LH PN	RH PN
Matte Black	11871540	11871541
Satin Nickel PVD	11871542	11871543
Oil Rubbed Bronze PVD	11871544	11871545
Dark Bronze	11871546	11871547



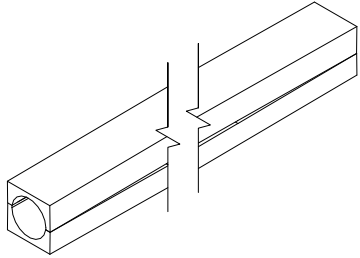
RH shown

Spindle Kit

Includes:

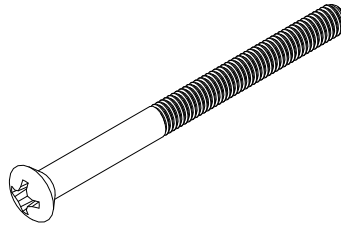
- 1 - 2pc spindle
- 2 - Set screws

PN
11844037



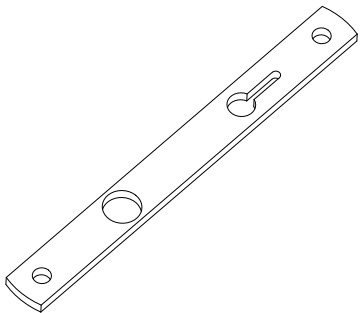
Escutcheon Mounting Screws

Color	PN
Matte Black	11800225
Satin Nickel PVD	11800226
Oil Rubbed Bronze PVD	11800228
Dark Bronze	11800227



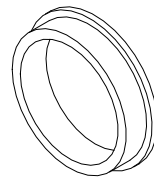
Escutcheon Gasket

PN
11844046



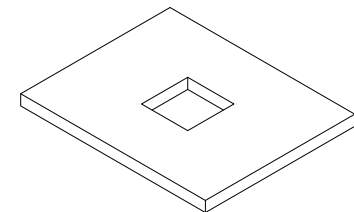
Lever Bushing

PN
11844045



Locking Plate

PN
11844047



Keyed Cylinder

(Schalge "C" keyway)

For service replacement only.

Includes:

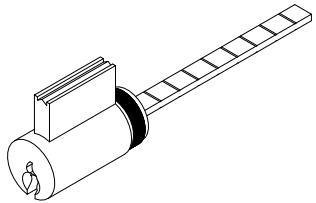
2 - Keys

NOTE: For Keyed Alike orders, use program C87P2

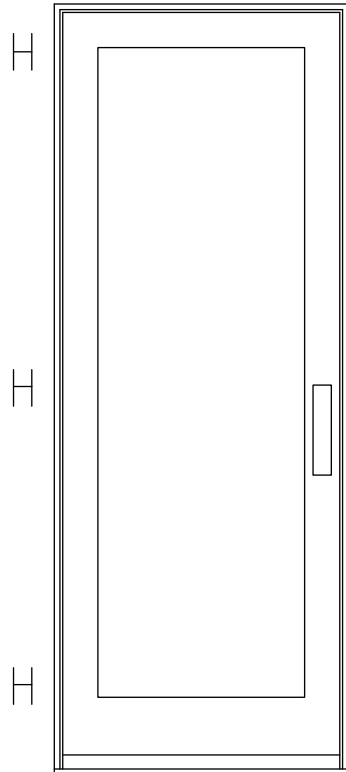
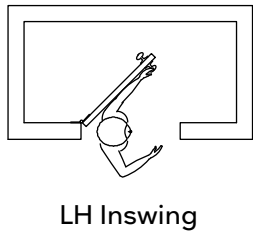
Satin Nickel PVD and Matte Black use Chrome Face

Oil Rubbed Bronze PVD and Dark Bronze use Brass Face

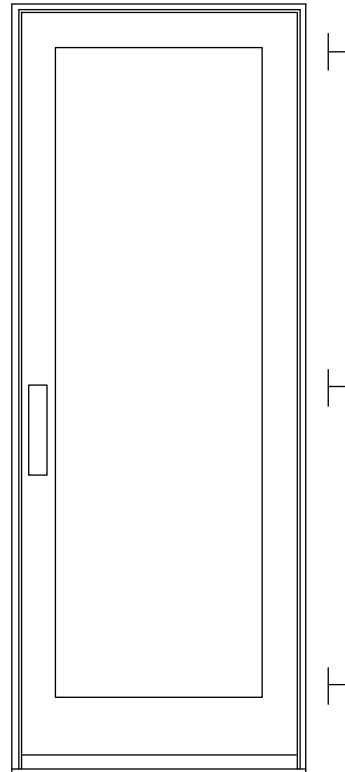
Narrow Contemporary Handle	
Color	PN
Brass Face	10148223
Chrome Face	10833000



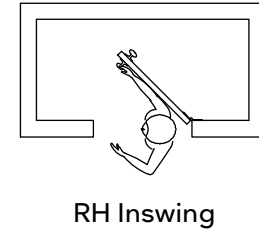
NOTE: Always view units from the exterior for handing.
H=Hinge location



X-LH Inswing
This panel uses the left hand hinge



X-RH Inswing
This panel uses the right hand hinge



Adjustable Hinge Package, G2

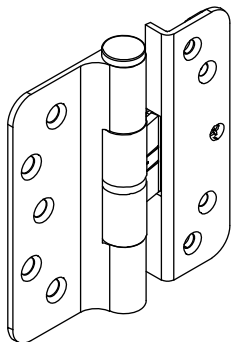
NOTE: Packages may include extra screws that are not used in certain applications.

Includes:

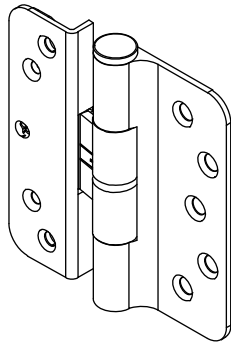
- 1 - Adjustable hinge
- 4 - #8 x 1 1/2" Phillips flat head wood screws (panel)
- 5 - #10-16 x 7/8" Phillips full thread, flat head screw (jamb)
- 5 - #10 x 1" Type A-17 full thread screw (jamb, stationary stile)
- 1 - #10-13 x 2 1/2" Type A/TF 2/3 thread screw package (jamb). Use 1 screw per hinge.

NOTE: Individual screws are available if needed.

Adjustable Hinge Package, G2 - Color and Part Number			Matching Screw Color
Hinge Color	LH PN	RH PN	
Satin Taupe (TP)	02101260	02101261	TP
Goldtone (GT)	02101246	02101247	GT
Silver Frost (SF)	02101262	02101263	Stainless Steel
Dark Bronze (DKBZ)	02101244	02101245	DKBZ
Antique Brass (AB)	02101240	02101241	DKBZ
White (WH)	02101266	02101267	WH
Satin Chrome (SC)	02101256	02101257	Stainless Steel
Oil Rubbed Bronze (ORBZ)	02101250	02101251	DKBZ
Oil Rubbed Bronze PVD (ORBZ PVD)	02101252	02101253	DKBZ
Brass PVD (BS PVD)	02101242	02101243	BS PVD
Satin Nickel (SN) PVD	02101258	02101259	Stainless Steel
Polished Chrome (PC)	02101254	02101255	Stainless Steel
Matte Black (MBK)	02101248	02101249	MBK



LH Hinge



RH Hinge

Individual Screws		
Screw Description	Color	PN
#8 x 1 1/2" Phillips flat head wood screw (panel). 4 per hinge.	TP	11865177
	GT	11865172
	WH	11865173
	DKBZ	02058013
	BS PVD	11865176
	Stainless Steel	11865175
	MBK	11865178
#10-16 x 7/8" Phillips flat head wood screw (jamb or stationary stile). 5 per hinge.	TP	11800286
	GT	11800282
	WH	11800283
	DKBZ	11800281
	BS PVD	11800285
	Stainless Steel	11800284
	MBK	11800287
#10-16 x 1" Type A-17 full thread screw	TP	11800985
	GT	11800981
	WH	11800982
	DKBZ	11800980
	BS PVD	11800984
	Stainless Steel	11800987
	MBK	11800986
#10-13 x 2 1/2" Type A/TF 2/3 thread screw package* (jamb). Use 1 screw per hinge. NOTE: To avoid damage, do not use on panels of Ultimate 3" Stile Doors. *NOTE: Part numbers for these screws are sold in packages of 4 screws and includes 1 - 5/32" Allen wrench.	TP	11800653
	GT	11800632
	WH	11800637
	DKBZ	11800644
	BS PVD	10148185
	Stainless Steel	11800639
	MBK	11800696

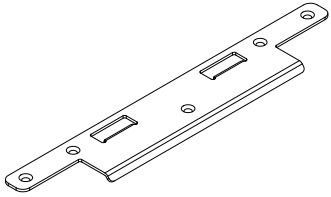
Panel Strike, Wide, Multi-Point Lock

NOTE: Used on 2 1/4" Panels

Color	PN
Antique Brass	11844015
Bright Brass PVD	11844016
Stainless Steel	11844017
Oil Rubbed Bronze PVD	11844018

Suggested Fasteners	
5 - #8-18 x 5/8" Type A/AB, full thread screw	
Color	PN
Dark Bronze	11800579
Brass	11800580
Stainless Steel	11806154

NOTE: Dark Bronze screws are used on Antique Brass and Oil Rubbed Bronze PVD.



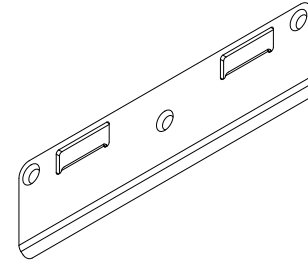
Frame Strike, Wide, Multi-Point Lock

NOTE: Used on 2 1/4" panel

Color	PN
Antique Brass	11844005
Bright Brass PVD	11844006
Stainless Steel	11844007
Oil Rubbed Bronze PVD	11844008

Suggested Fasteners	
3 - #10-16 x 7/8" full thread undercut screw	
Color	PN
Dark Bronze	11800281
Brass	11800285
Stainless Steel	11800284

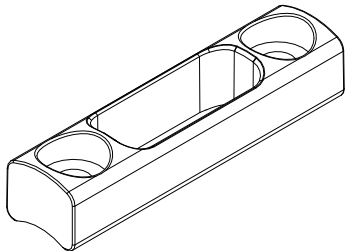
NOTE: Dark Bronze screws are used on Antique Brass and Oil Rubbed Bronze PVD.



Sill Strike, Inswing

Color	PN
Ebony	11869671

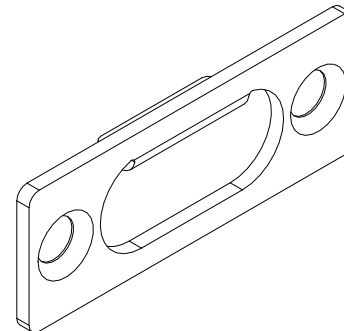
Suggested Fasteners	
2 - #8-18 x 1/2" Torx, full thread, pan head screw	
Color	PN
Ebony	11800224



Strike Plate, Head Jamb

PN
11869683

Suggested Fasteners	Qty.	PN
#8-32 x 3/8" Full thread machine screw	2	02058014



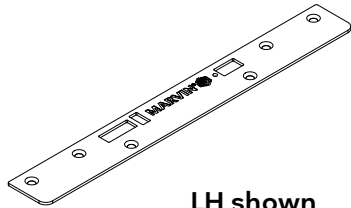
Cover Plate, Active Multi-Point Lock, 2 1/4"

LH Inswing uses RH PN RH Inswing uses LH PN		
Color	LH PN	RH PN
Antique Brass	11844020	11844021
Bright Brass PVD	11844022	11844023
Stainless Steel	11844024	11844025
Oil Rubbed Bronze PVD	11844026	11844027

Suggested Fasteners	
4 - #8-18 x 5/8" Type A/AB, full thread screw	
Color	PN
Dark Bronze	11800579
Brass	11800580
Stainless Steel	11806154

Suggested Fasteners	
2 - #8-18 x 1 1/2" Type A/AB, full thread screw	
Color	PN
Dark Bronze	02058013
Brass	11865176
Stainless Steel	11865175

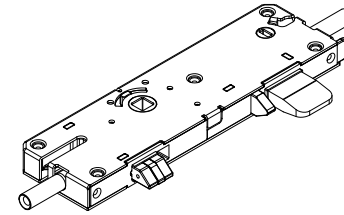
NOTE: Dark Bronze screws are used on Antique Brass and Oil Rubbed Bronze PVD.



LH shown

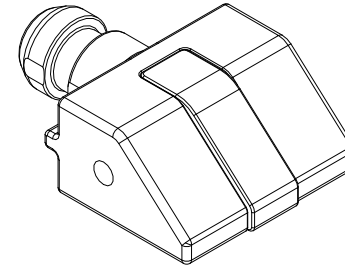
Gear Box (Multi-Point Lock), 35mm Active

PN
10501654



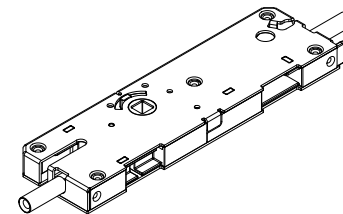
Latch Bolt

PN
10501929



Gear Box (Multi-Point Lock), 35mm Passive

PN
10501913

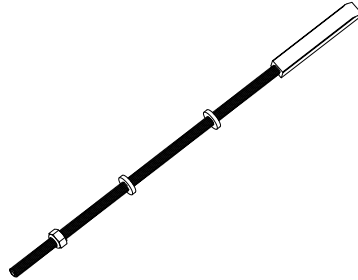


Shoot Bolt Sub Assembly

NOTE: If a special rough opening height is needed for the Top Locking Rod, please order using the following specifications:

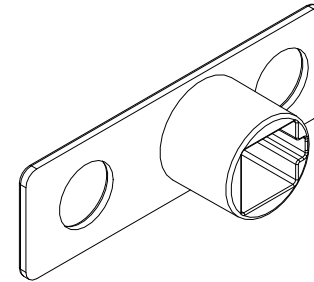
1. State "Top Locking Rod Assembly".
2. Original order number/line number (if available)
3. Configuration
4. Rough opening

Multi Point Top Rod		
CN	Length	PN
6-6R	36 35/64"	05700210
6-8	36 3/64"	05700211
7-0	43 3/64"	05700212
8-0	55 3/64"	05700213
9-0	67 3/64"	05700214
10-0	79 3/64"	05700215
Multi Point Bottom Rod		
-	16 3/4"	11101742



Shoot Bolt Sub Guide

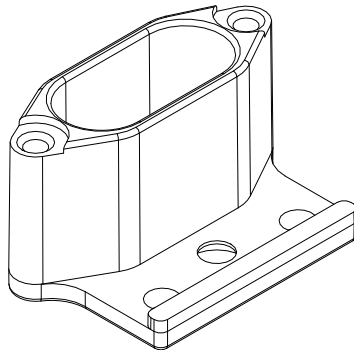
PN
11869674



Shoot Bolt Retainer, Head Jamb

Color	PN
Black	10501922

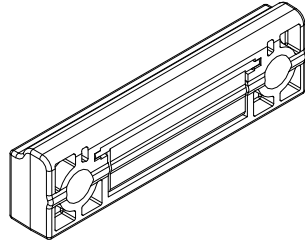
Suggested Fasteners	
1 - #8-18 x 5/8" Type A/AB, full thread screw	
Color	PN
Stainless Steel	11806154



Sill Drain Assembly

Color	PN
Ebony	10840264

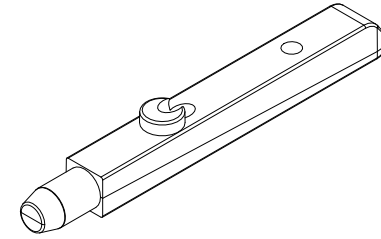
Suggested Fasteners	
2 - #8-18 x 1/2" Torx, full thread, pan head screw	
Color	PN
Ebony	11800224



Stationary Bolt, Stile

Color	PN
Black	10899024

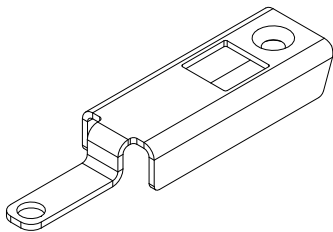
Suggested Fasteners	
1 - #8-15 x 3" Type A/TF, Phillips, 2/3 thread screw	
Color	PN
Matte Black	11800918



Stile End Bracket

Length	PN
3"	10502073

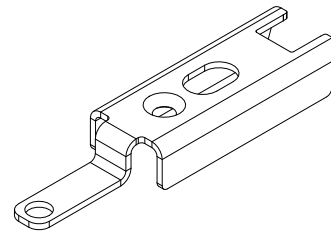
Suggested Fasteners	
2 - #8-18 x 1 1/4" Type AB, Phillips flat head screw	
Color	PN
Stainless Steel	11808118



Stationary Bracket Reinforcement

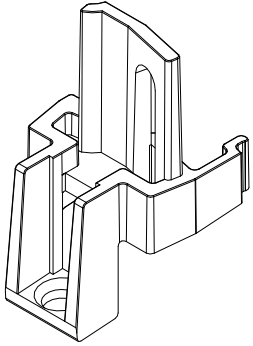
Length	PN
3"	10502070

Suggested Fasteners	
2 - #8-18 x 1 1/4" Type AB, Phillips flat head screw	
Color	PN
Stainless Steel	11808118



Mull Post, Sill Reinforcement

LH PN	RH PN
10899019	10899020



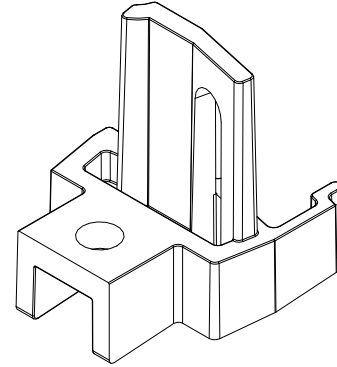
LH shown

Suggested Fasteners	
1 - #8 x 1 1/4" Type A, Phillips pan head screw	
Color	PN
Stainless Steel	11800806

Suggested Fasteners	
1 - #8-16 x 3/8" Type AB, Phillips pan head screw (into sill)	
Color	PN
Stainless Steel	11800222

Mull Post, Header Reinforcement

LH PN	RH PN
10899021	10899022



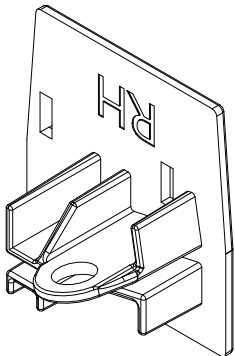
RH shown

Suggested Fasteners	
1 - #8 x 1 1/4" Type A, Phillips pan head screw	
Color	PN
Stainless Steel	11800806

Suggested Fasteners	
1 - #8-18 x 1 7/8" Type AB, Phillips pan head screw (into header)	
Color	PN
Stainless Steel	02058017

Astragal End Cap

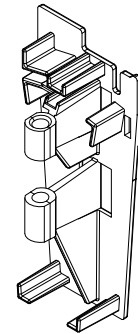
Color	LH PN	RH PN
Black	11869941	11869940



RH shown

Astragal End Cap, IZ3

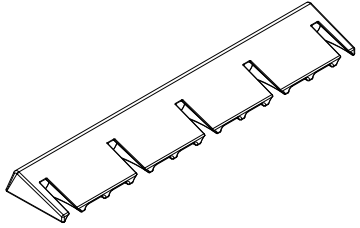
Color	LH PN	RH PN
Black	10840271	10840270



RH shown

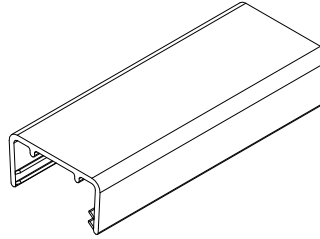
Sill Reinforcement

PN
10899023



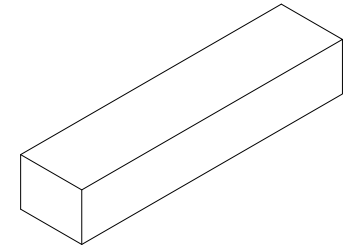
Stile End Filler

Length	PN
2.188"	16220002
3.938"	16220003



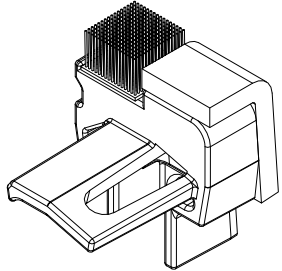
Mull Base Foam Pad

Color	PN
Black	10501025



Mull Post Accessibility, Sill Reinforcement

LH PN	RH PN
11869939	11869938



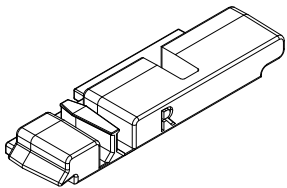
LH shown

Suggested Fasteners	
1 - #8 x 1 1/4" Type A, Phillips pan head screw	
Color	PN
Stainless Steel	11800806

Suggested Fasteners	
1 - #8-16 x 3/8" TRHF, Phillips, flat head screw (into sill)	
Color	PN
Stainless Steel	11800222

Stile End Plug, 3", Accessibility Sill

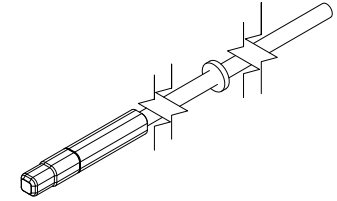
LH PN	RH PN
11869944	11869945



RH shown

Shoot Bolt Sub Assembly, Accessibility Sill

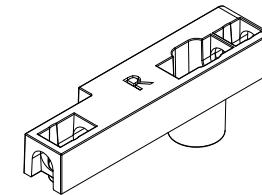
Description	Length	PN
Flush Bolt	8 25/32" (223)	10501948
Bottom Multi-Point	33 13/32" (849)	10501995



Shoot Bolt Guide, OXXO, Accessibility Sill

Color	LH PN	RH PN
Black	10501998	10501997

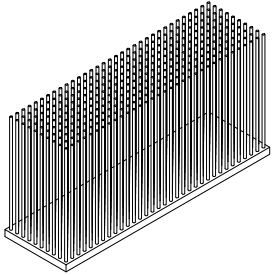
Suggested Fasteners	
2 - #8-18 x 1 1/4" , Type AB, Phillips, flat head screw	
Color	PN
Stainless Steel	11808118



RH shown

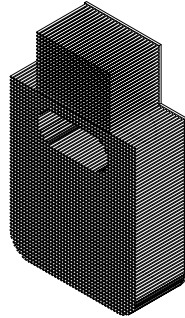
Sill Key Fuzzy, Accessibility Sill

PN
10501143



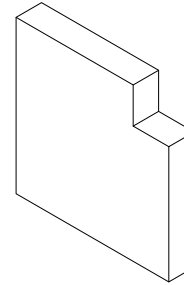
Dust Block, OXXO, Accessibility Sill

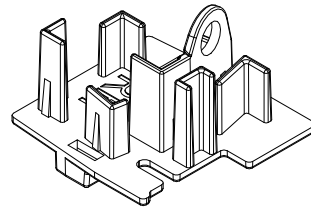
PN
10500398



Sill Gasket, Accessibility Sill

PN
05700009





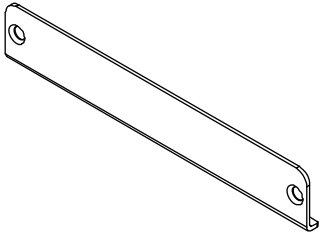
RH shown

Astragal End Cap

No longer available, replace with current.

Cover, Transmitter, L-Shape

Color	PN
Brushed Stainless Steel	10501821

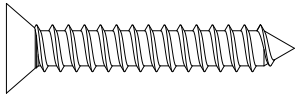


#8-18 x 1" Type AB, Full Thread

Used for Transmitter Cover

Need quantity of 2 for each part

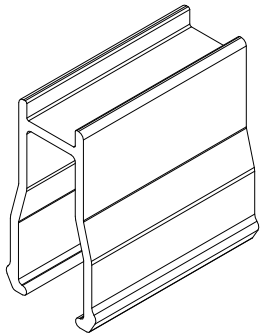
PN
11800769



Stationary Block, Interior Sill

A3757

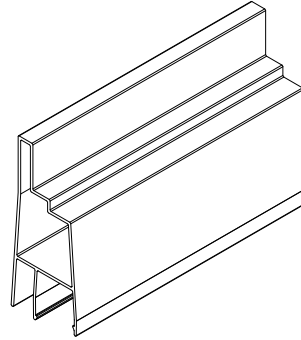
Length	Panel Width	PN
5 1/2" (140)	Under 18 1/2"	18903807
9" (230)	18 1/2" and larger	18903806



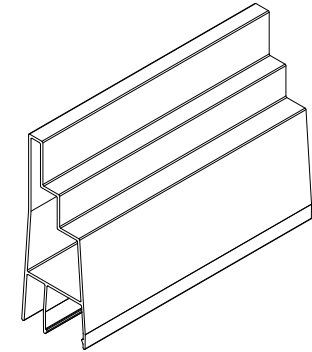
Aluminum Parts

Ordering specifications (use all that apply):

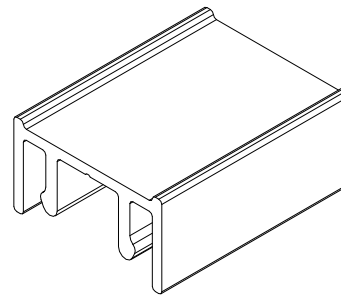
1. Original order number/line number (if available)
2. Call number or rough opening
3. Profile
4. Length
5. Handing
6. Color/finish



A3644
Screen Mull Casing 4 9/16"

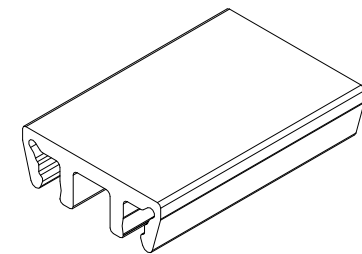


A3645
Screen Mull Casing 6 9/16"



A3646, Mull Casing Screen Extension

NOTE: Used on 6 9/16" Jambs



A3490, Mull Cap, Mull Casing Screen Extension

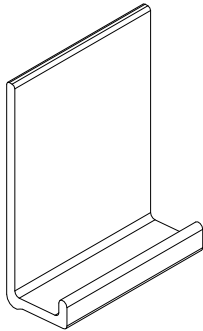
NOTE: Used on 6 9/16" Jambs

Suggested Fasteners	Quantity	PN
#8-18 x 7/16" TEK 2, Phillips pan head screw	Bag of 10	11800178

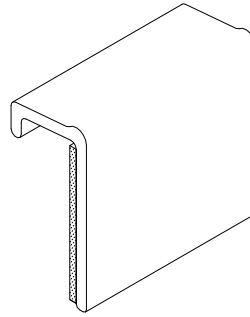
Aluminum Parts

Ordering specifications (use all that apply):

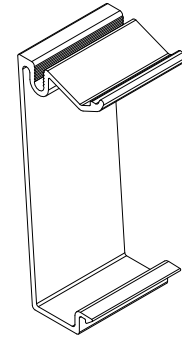
1. Original order number/line number (if available)
2. Call number or rough opening
3. Profile
4. Length
5. Handing
6. Color/finish



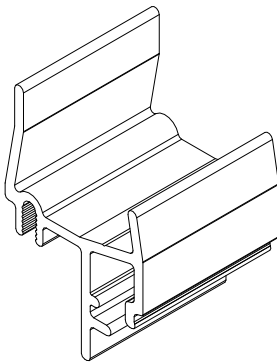
A3727
Sill Liner



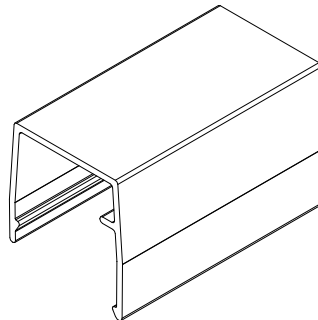
A03955
Sill Liner, Accessibility Sill



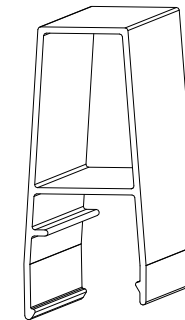
A3637
Jamb/Head Jamb
Parting Stop



A3633
Mull Base



A3634
Astragal Cover

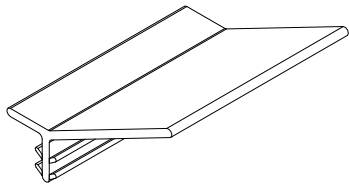


A3635
Mull Post

Vinyl Parts

Ordering specifications (use all that apply):

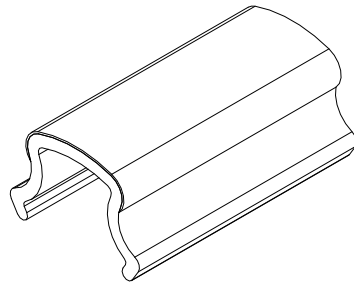
1. Original order number/line number (if available);
2. profile;
3. length;
4. handing;
5. color.



V3141

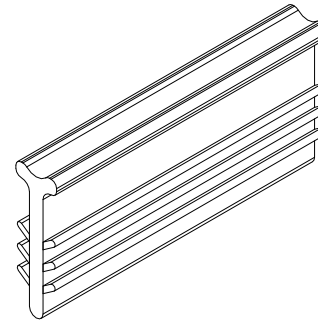
Sash Retainer, Inswing, 6 9/16"

NOTE: Used on Transom



V3120

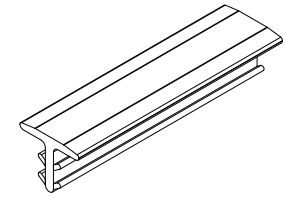
Interior Sill Filler



V2421

Wedge Frame Spacer

NOTE: Used as kerf filler on operator hinge stiles and active lock stiles.



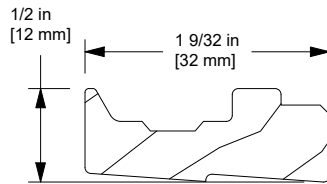
V03427

Kerf Filler, Accessibility Sill

Wood Parts

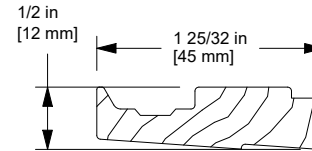
Ordering specifications (use all that apply):

1. Original order number/line number (if available)
2. Profile
3. Length
4. Handing
5. Color



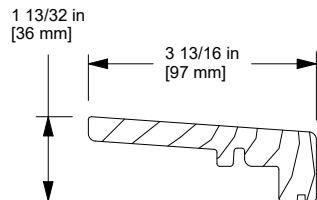
W13565
Sill Filler, 1 3/4"

NOTE: Used on Transom



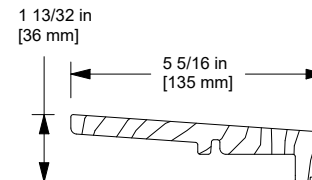
W13628
Sill Filler, 1 1/4" IG

NOTE: Used on Transom



W13760
Inswing Sill Cover, 4 9/16" Jamb
O, X, XX

(Field applied option - Mahogany)



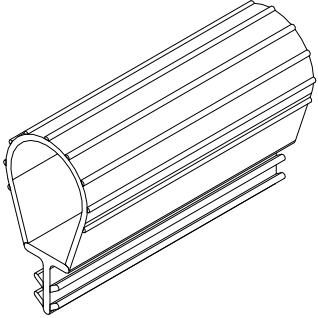
W13761
Inswing Sill Cover, 6 9/16" Jamb
O, X, XX

(Field applied option - Mahogany)

Frame Weather Strip

V3200

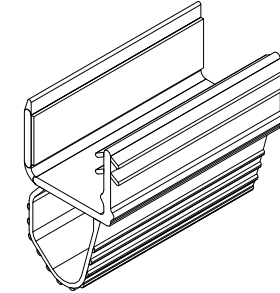
Color	Length	PN
Black	Specify length (LF)	16220010



Bottom Rail Weather Strip, Interior Panel, Accessibility Sill

V03406

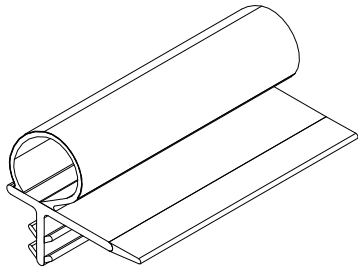
Length	PN
36 9/16" (929)	16225530
61 9/32" (1557)	16225450



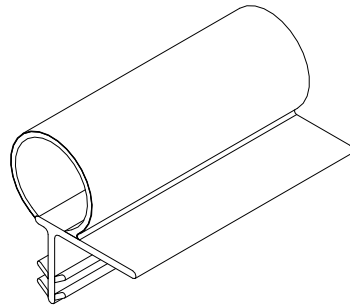
Weather Strip Parts

Ordering specifications (use all that apply):

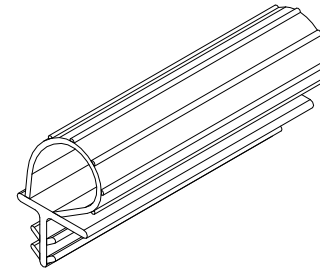
1. Original order number/line number (if available);
2. profile;
3. length;
4. handing;
5. color.



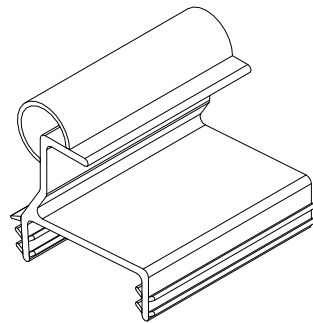
V3208
Astragal Base Weather Strip



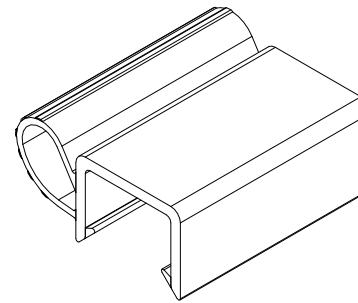
V3173
Astragal Panel Weather Strip



V3239
**Secondary Sill Weather Strip,
Inswing**

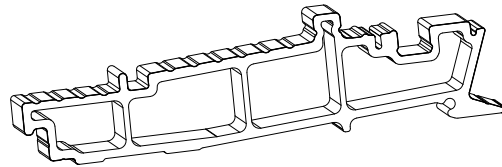


V3121
**Sill Weather Strip,
Inswing Transom**

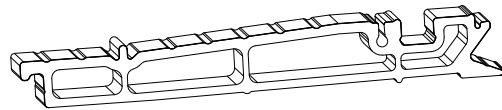


V2026
Sill Weather Strip

Refer to Configured Parts in OMS for sill replacement.



Performance Sill - 6 9/16"
F2056

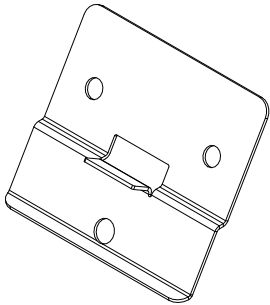


Accessibility Sill - 6 9/16"
F2058

Refer to Configured Parts in OMS for full screen replacement.
Individual screen replacement parts are available in the Ultimate Screens G2 (Door Screens) section.

Replacement Panel Bracket Kits, Inswing

Description	Description	PN
5 Piece Kit	5 - Field service brackets, Inswing 10 - #8-18x1 1/2" Type A/AB, full thread screw 5 - #10-12 x 3", 2/3 thread screw 1 - UOFD UIFD Stationary Panel Service Instruction	11102261
7 Piece Kit	7 - Field service brackets, Inswing 14 - #8-18x1 1/2" Type A/AB, full thread screw 7 - #10-12 x 3", 2/3 thread screw 1 - UOFD UIFD Stationary Panel Service Instruction	11102262



Drill Jig, Interior Panel, Service Bracket

PN
11101738

