



Modern Awning

Crank Out, Push Out and Automated

Replacement Parts

Specifications and technical data are subject to change without notice.

Numbers listed in () parentheses are metric equivalents in millimeters rounded to the nearest whole number.

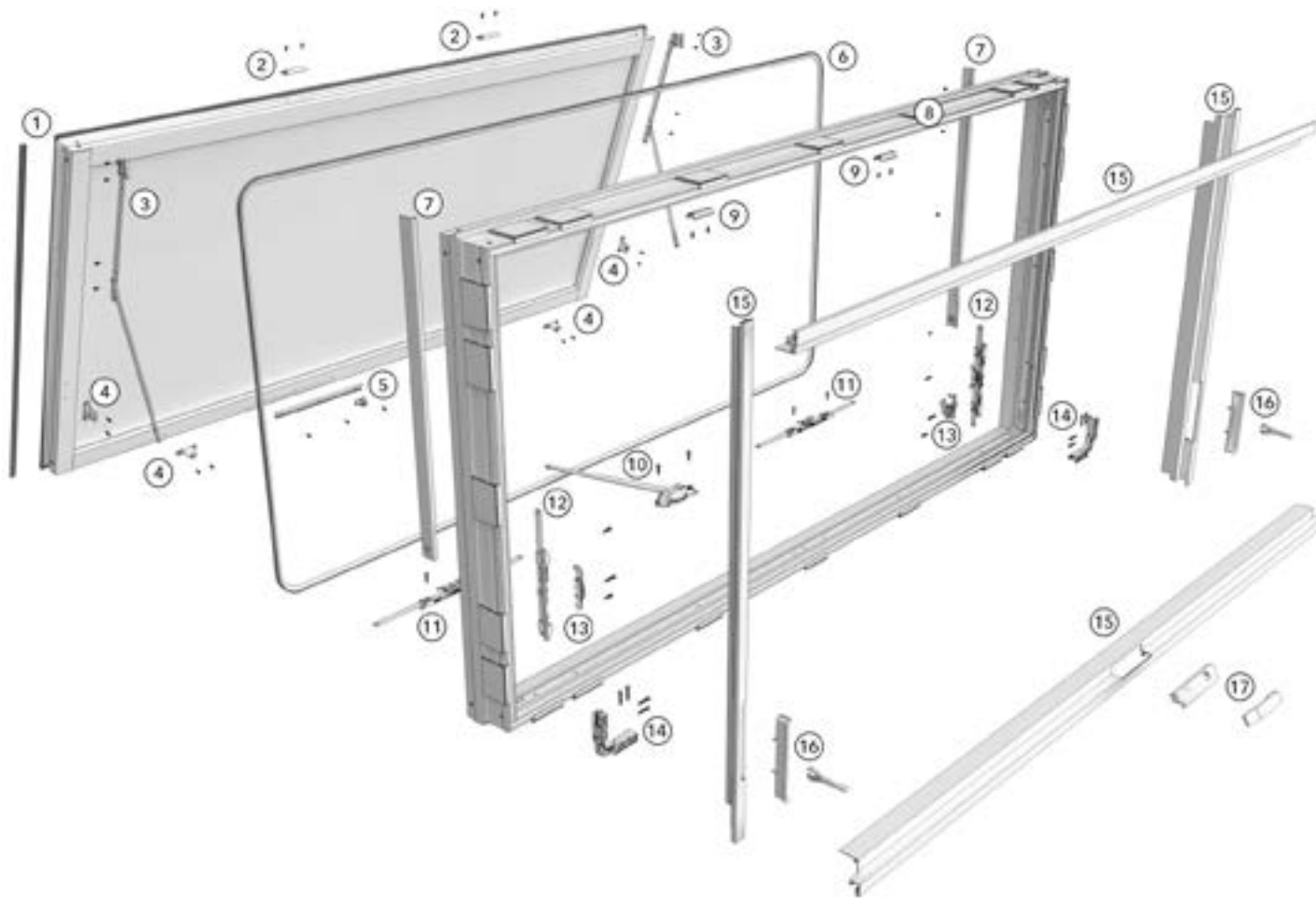
Suggested fasteners are not included and must be ordered separately.

Illustrations are not to scale.

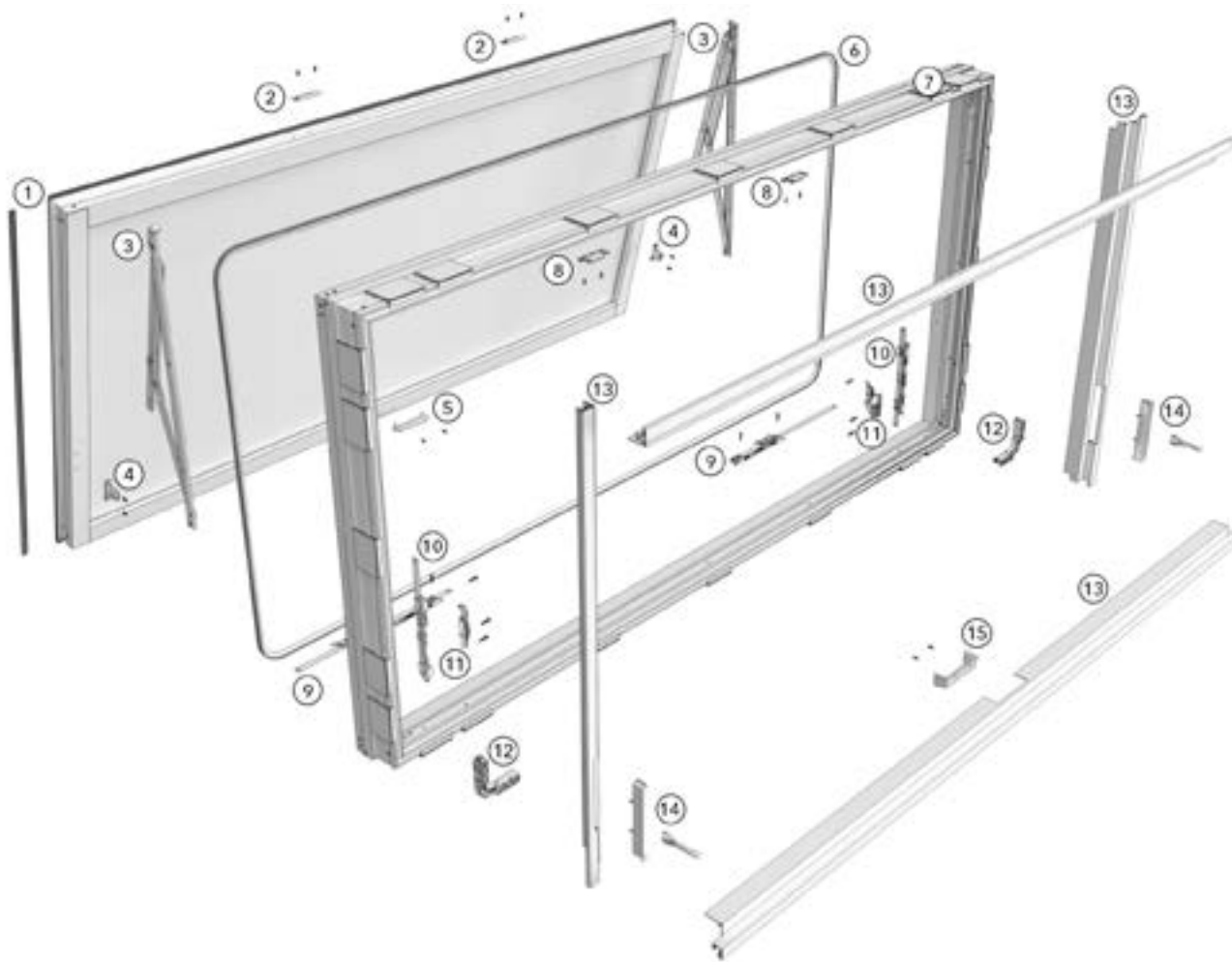
Contents

| | |
|--|----|
| Product History | 2 |
| Part Identification - Crank Out Unit | 3 |
| Part Identification - Push Out Unit..... | 4 |
| Part Identification - Automated Unit | 5 |
| Handles | 6 |
| Hinges | 8 |
| Operators..... | 10 |
| Miscellaneous Parts | 13 |
| Lock Status Sensor Parts | 14 |
| Automated Parts..... | 15 |
| Automated Parts - Configured Part in OMS..... | 20 |
| CLiC Glass Parts | 21 |
| CLiC Glass Aluminum Parts - Configured Part in OMS | 23 |
| Aluminum Parts - Configured Part in OMS | 24 |
| Vinyl Parts..... | 25 |
| Vinyl Parts - Discontinued No Availability (NA)..... | 26 |
| Weather Strip..... | 27 |
| Weather Strip - Discontinued No Availability (NA)..... | 28 |
| Replacement Sash - Configured Part in OMS | 29 |
| Replacement Screens - Configured Part in OMS..... | 30 |
| Screen Parts..... | 31 |
| Screen Parts - Discontinued Limited Availability (LA)..... | 32 |
| Tools..... | 33 |

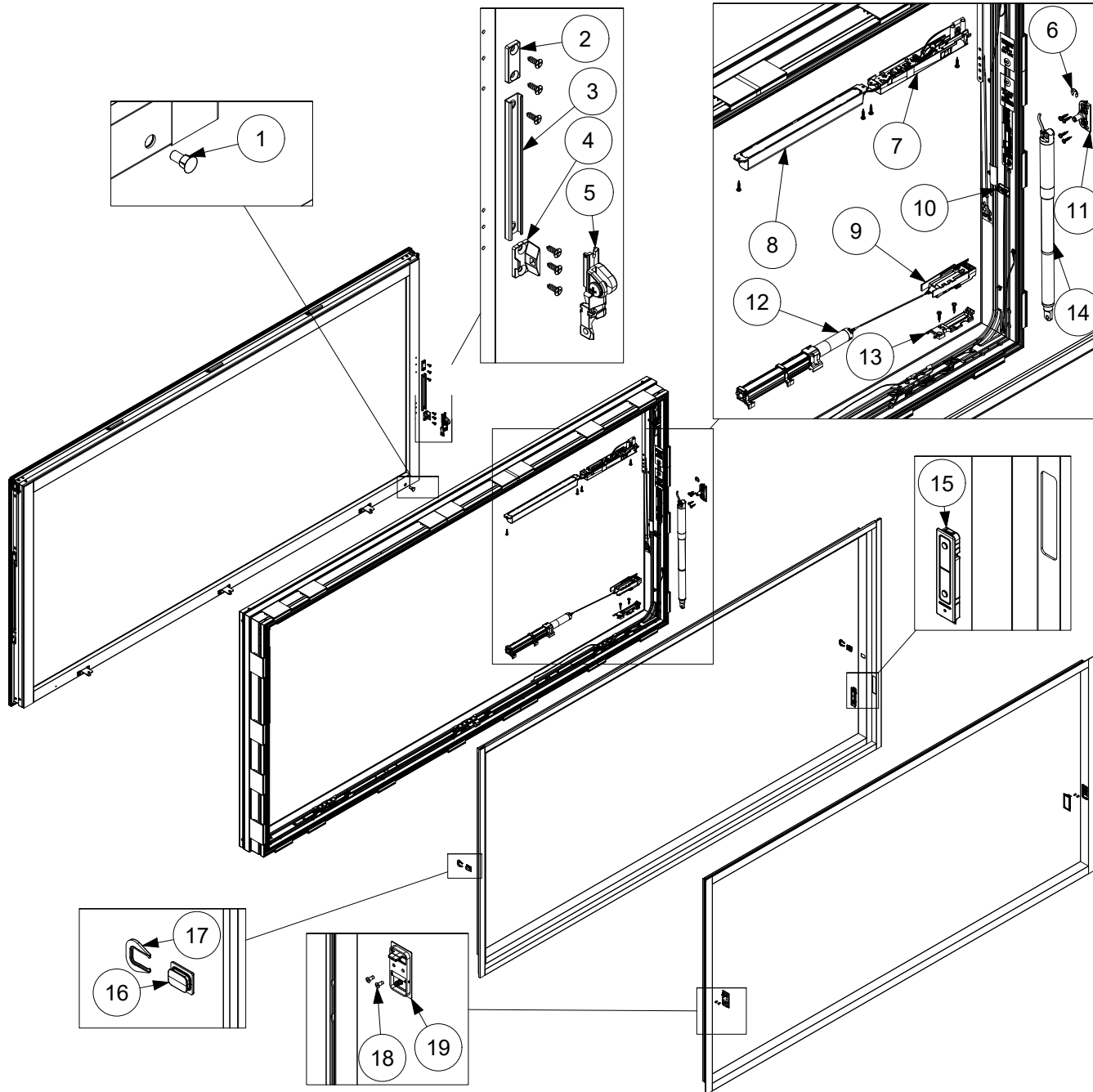
| Produced | Unit Type | Features and Changes |
|----------|--------------------------------------|---|
| 2019 | Awning Crank Out and Awning Push Out | 04/29/2019: Introduced the Modern Awning Crank Out and Modern Awning Push Out. |
| 2019 | Awning Crank Out and Awning Push Out | 12/16/2019: Introduced Mulling Options. |
| 2020 | Awning Crank Out and Awning Push Out | 02/24/2020: Sash Weather Strip was changed from V2803 to V147. |
| 2020 | Awning Crank Out and Awning Push Out | 04/27/2020: Interior Frame Covers were made available as a configured part in OMS. |
| 2023 | Awning Crank Out and Awning Push Out | 10/30/2023: An ERS coating became available as a standard option for current Triple Pane offerings. See Product Bulletin 904 for more details. |
| 2024 | Awning Automated | 02/26/2024: Automated parts added to allow the awning to integrate with the Marvin Connected Home app. See Product Bulletin 906 for additional information. |



1. Sash Weather Strip, V147 (used on full perimeter of sash)
2. Snubber, Sash
3. Hinge Arm Assembly
4. Keeper
5. Operator Track and Pivot Slide
6. Frame Weather Strip, V2808
7. Hinge Track
8. Shim Block, V2916 (available in Accessories section)
9. Snubber, Frame
10. Single Arm Operator
11. Sill Lock
12. Tie Bar Assembly
13. Lock Base Assembly
14. ATC Lock Assembly
15. Interior Frame Cover, A3390 (used on the full interior perimeter)
16. Lock Handle and Escutcheon
17. Folding Handle and Cover



1. Sash Weather Strip, V147 (used on perimeter of sash)
2. Snubber, Sash
3. Hinge Arm Assembly
4. Keeper
5. Push Out Handle
6. Frame Weather Strip, V2808
7. Shim Block, V2916 (available in Accessories section)
8. Snubber, Frame
9. Sill Lock
10. Tie Bar Assembly
11. Lock base assembly
12. ATC Lock Assembly
13. Interior Frame Cover, A3390 (used on full interior perimeter)
14. Lock Handle and Escutcheon
15. Push Out Escutcheon

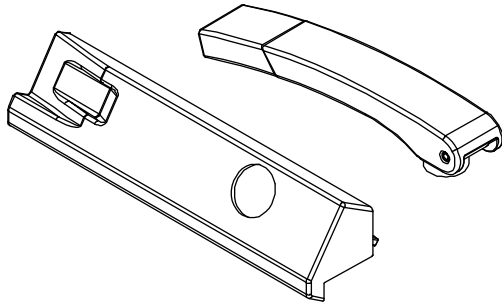


1. Magnetic Housing Assembly
2. Track Stop
3. Operator Track
4. Sash Bracket
5. Sash Connector
6. E-Clip, 3/8 Shaft
7. Wireless Control Board
8. Supercapacitor
9. Motol Control Housing
10. Wire Holder
11. Sash Actuator Bracket, Frame
12. Lock Actuator
13. Housing Base, Motor Control Board
14. Sash Actuator
15. On Unit Control
16. Screen Latch Receiver
17. Screen Latch Receiver Retainer
18. Rivets
19. Screen Latch Assembly

Folding Handle and Cover

Crank Out

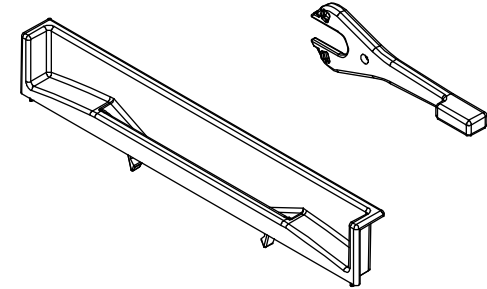
| Color | LH PN |
|--------------|----------|
| Matte Black | 10816475 |
| Matte Bronze | 10816477 |
| Satin Nickel | 10816479 |
| Silver | 10816481 |
| Stone White | 10816483 |



Lock Handle and Escutcheon

Crank Out, Push Out and Automated

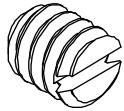
| Color | PN |
|--------------|----------|
| Matte Black | 10816465 |
| Matte Bronze | 10816466 |
| Satin Nickel | 10816467 |
| Silver | 10816468 |
| Stone White | 10816469 |



Set Screw, Folding Handle

Crank Out

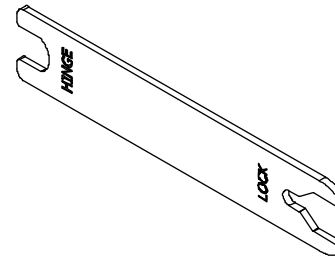
| Color | PN |
|-------|----------|
| Black | 10816485 |



Lock Handle Wrench

Crank Out, Push Out and Automated

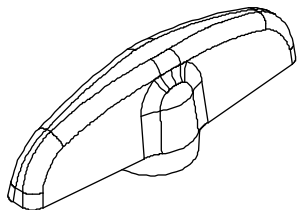
| PN |
|----------|
| 10810020 |



T-Handle, Operator

Crank Out (construction handle only)

| PN |
|----------|
| 10898670 |



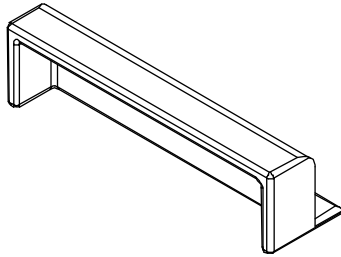
Push Out Handle Kit

Push Out

Includes:

- 1 - Push out handle
- 2 - #8-15 x 1/2" type AB, Phillips, flat head, stainless steel screws

| Color | PN |
|--------------|----------|
| Matte Black | 11862756 |
| Matte Bronze | 11862757 |
| Satin Nickel | 11862758 |
| Silver | 11862759 |
| Stone White | 11862760 |



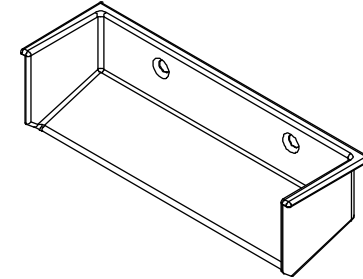
Push Out Escutcheon Kit

Push Out

Includes:

- 1 - Push out escutcheon
- 2 - #6 x 1/4" Phillips, flat head, stainless steel screws

| Color | PN |
|--------------|----------|
| Matte Black | 11862761 |
| Matte Bronze | 11862762 |
| Satin Nickel | 11862763 |
| Silver | 11862764 |
| Stone White | 11862765 |



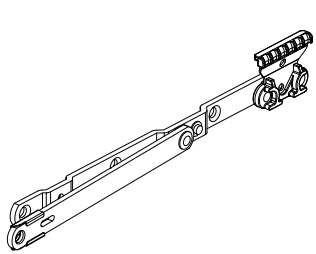
Hinge Arm Kit

Crank Out and Automated

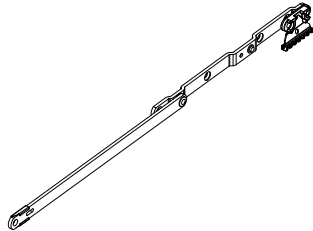
Includes:

- 1 - Hinge arm, Stainless Steel
- 4 - #8-15 x 3/4" type AB, Phillips, flat head, stainless steel screws

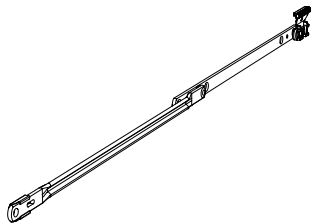
| Usage | Length | LH PN | RH PN |
|------------------------------------|--------|----------|----------|
| For frame height 16.000" - 19.999" | 10" | 11862704 | 11862705 |
| For frame height 20.000" - 35.999" | 18" | 11862706 | 11862707 |
| For frame height 36.000" - 96.000" | 26" | 11862708 | 11862709 |



10" Hinge Arm



18" Hinge Arm



26" Hinge Arm

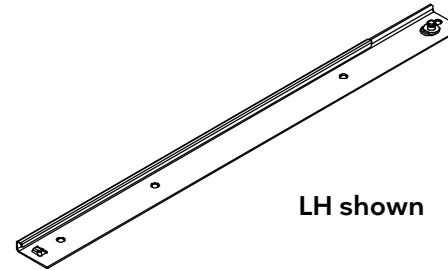
Hinge Track Kit

Crank Out and Automated

Includes:

- 1 - Hinge track, Stainless Steel
- 4 - #8-15 x 1/2" type AB, Phillips, flat head, stainless steel screws

| Usage | Length | LH PN | RH PN |
|------------------------------------|--------|----------|----------|
| For frame height 16.000" - 19.999" | 10" | 11862710 | 11862711 |
| For frame height 20.000" - 35.999" | 18" | 11862712 | 11862713 |
| For frame height 36.000" - 96.000" | 26" | 11862714 | 11862715 |



LH shown

4-Bar Hinge Assembly Kit

Push Out

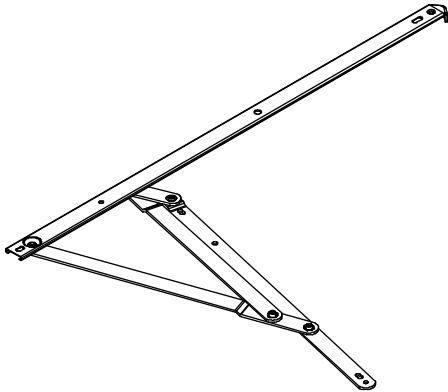
Includes:

1 - 4-Bar hinge assembly

8 - #8-15 x 3/4" Type AB, Phillips, flat head, stainless steel screws

4 - #8-15 x 3/8" Type AB, Phillips, flat head screws

| Usage | Length | Color | PN |
|------------------------------------|--------|-----------------|----------|
| For frame height 16.000" - 23.999" | 10" | Stainless Steel | 11862766 |
| For frame height 24.000" - 35.999" | 16" | | 11862767 |
| For frame height 36.000" - 96.000" | 24" | | 11862768 |



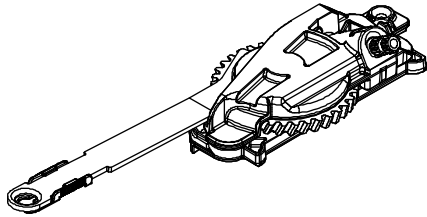
Single Arm Operator

Crank Out

Includes:

- 1 - Single arm operator
- 2 - #8-10 x 3/4" full thread, Phillips, pan head, stainless steel screws

| Description | Length | Color | PN |
|-----------------------------------|--------|----------------|----------|
| For frame width 20.000" - 24.999" | 5" | Painted Silver | 11862753 |
| For frame width 25.000" - 31.999" | 8 1/2" | | 11862754 |
| For frame width 32.000" - 96.000" | 12" | | 11862755 |



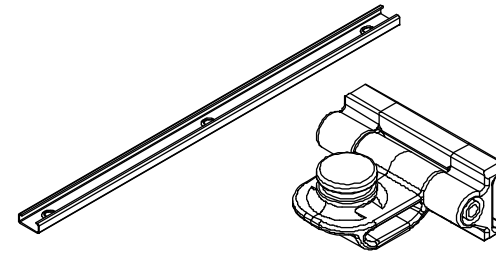
Operator Track and Pivot Slide

Crank Out

Includes:

- 1 - Operator track
- 1 - Pivot slide
- 3 - #8-15 x 1/2" type AB, Phillips, flat head, stainless steel screws

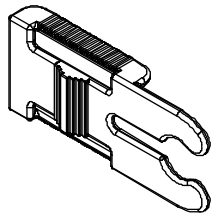
| Description | Length | Color | PN |
|-----------------------------------|--------|-----------------|----------|
| For frame width 20.000" - 24.999" | 5" | Stainless Steel | 11862730 |
| For frame width 25.000" - 31.999" | 8 1/2" | | 11862731 |
| For frame width 32.000" - 96.000" | 12" | | 11862732 |



Detach Clip, Single Arm Operator

Crank Out

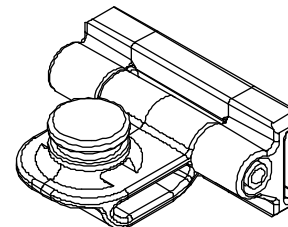
| PN |
|----------|
| 10500452 |



Pivot Slide

Crank Out

| Color | PN |
|-------|----------|
| Black | 10816282 |



Tie Bar Assembly

Crank Out and Push Out

Includes:

#8-10 x 3/4" full thread, Phillips, pan head stainless steel screw (see below for quantity included).

NOTE: Tie Bars for Automated units must be ordered by configured part to have the proper hardware applied to them. (see Automated Parts - Configured Parts in OMS page)

| Usage | Length | Color | LH PN | RH PN |
|--|---------|--------|-----------|----------|
| For frame height 16.000" - 18.499" (includes 2 screws) | 8" | E-Gard | 11862733 | 11862734 |
| | | | PN | |
| For frame height 18.500" - 31.999" (includes 2 screws) | 10" | E-Gard | 11862735 | |
| For frame height 32.000" - 46.499" (includes 4 screws) | 23 1/2" | | 11862736 | |
| For frame height 46.500" - 55.999" (includes 6 screws) | 38" | | 11862739 | |
| For frame height 56.000" - 77.999" (includes 6 screws) | 47 1/2" | | 11862741 | |
| For frame height 78.000" - 83.999" (includes 6 screws) | 53 1/2" | | 11862742 | |
| For frame height 84.000" - 89.999" (includes 6 screws) | 59 1/2" | | 11862743 | |
| For frame height 90.000" - 96.999" (includes 6 screws) | 65 1/2" | | 11862744 | |

Lock Base Assembly (shown for illustrative purposes only – Must be ordered separately)



Sill Lock Kit

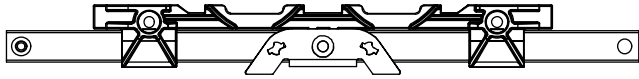
Crank Out and Push Out

Includes:

- 1 - Sill lock
- 2 - #8-10 x 3/4" full thread, Phillips, pan head, stainless steel screws

NOTE: Both a LH and a RH part is used on frame widths over 71.999"

| Usage | Length | Color | LH PN | RH PN |
|-----------------------------------|--------|--------|----------|----------|
| For frame width 48.000" - 71.999 | 16" | E-Gard | 11862769 | NA |
| For frame width 72.000" - 96.000" | | | 11862769 | 11862770 |



ATC Lock Assembly Kit

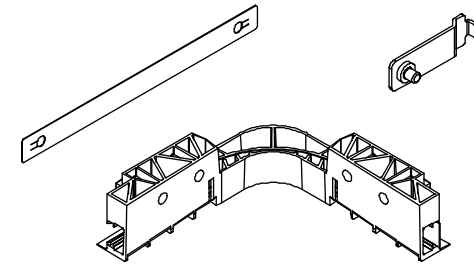
Crank Out and Push Out

Includes:

- 1 - ATC lock assembly
- 4 - #8-15 x 1" TEK-3, full thread, Phillips, pan head screws

NOTE: 1 used on frame widths of 48" through 71.99" and 2 used on frame widths 72" through 96".

| PN |
|----------|
| 11862717 |



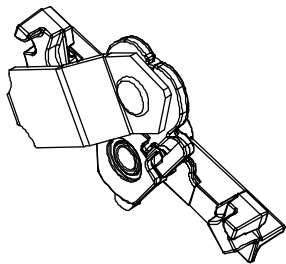
Lock Base Assembly Kit

Crank Out and Push Out

Includes:

- 1 - #8-15 x 1" TEK-3, full thread, Phillips, pan head screw

| PN |
|----------|
| 11862718 |



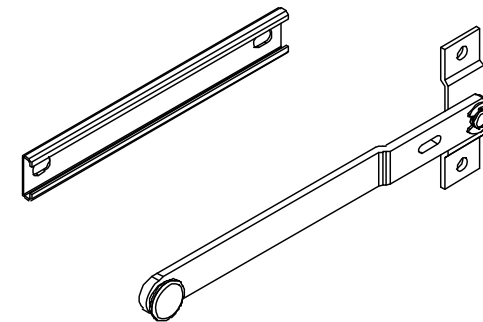
Sash Limiter Kit, Custodial

Crank Out, Push Out and Automated

Includes:

- 1 - Sash limiter and track assembly
- 4 - #8-15 x 3/8" Torx screw
- 1 - Torx tamper-proof custodial bit
- 1 - Field installation instruction

| PN |
|----------|
| 11850750 |



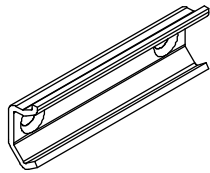
Snubber Replacement Kit

Crank Out and Automated

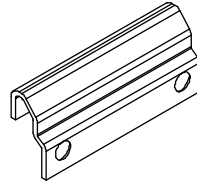
Includes:

- 4 - Frame snubber
- 4 - Sash snubber
- 16 - #8-15 x 1/2" type AB, Phillips, flat head, stainless steel screws

| Color | PN |
|-----------------|----------|
| Stainless Steel | 11862479 |



Frame Snubber



Sash Snubber

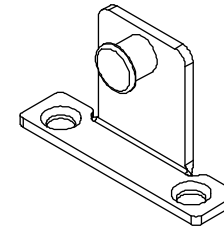
Keeper Kit

Crank Out, Push Out and Automated

Includes:

- 1- Keeper
- 2 - #8-15 x 1/2" type AB, Phillips, flat head, stainless steel screws

| Color | PN |
|-----------------|----------|
| Stainless Steel | 11862716 |



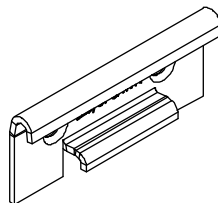
Snubber Replacement Kit

Push Out

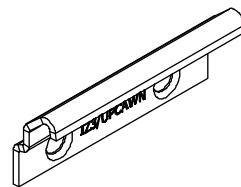
Includes:

- 4 - Frame snubber
- 4 - Sash snubber
- 16 - #8-15 x 1/2" type AB, Phillips, flat head, stainless steel screws

| Color | PN |
|-----------------|----------|
| Stainless Steel | 11862771 |



Frame Snubber



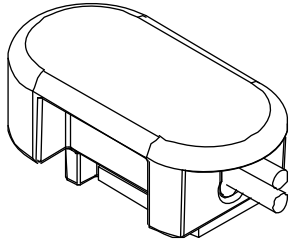
Sash Snubber

Reed Capsule

Crank Out, Push Out and Automated

| Color | Length | PN |
|-------|--------|----------|
| Black | 52" | 10501846 |
| | *144" | 10501853 |

*NOTE: 144" length used on Automated Awning units only that are frame height 25" and taller



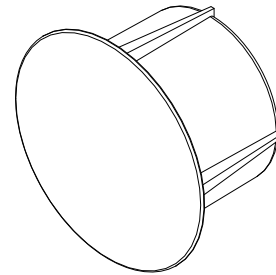
Magnet Housing Assembly

Crank Out, Push Out and Automated

Includes:

- 1 - Magnet, 1/4" x 5/8" N52
- 1 - Magnet housing

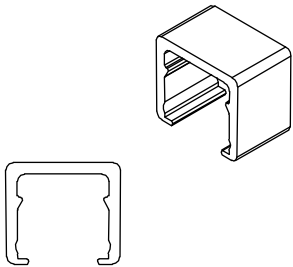
| Color | PN |
|-------|----------|
| Black | 10501836 |
| White | 10501837 |



Lock Status Sensor Clip

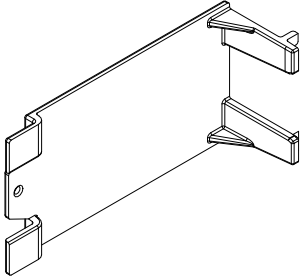
Crank Out, Push Out and Automated

| PN |
|----------|
| 10500890 |



Secondary Cover, Wire

| PN |
|----------|
| 10501891 |

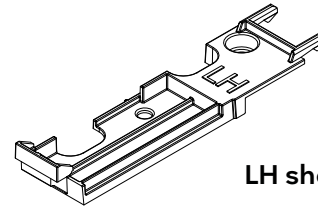


Housing Base, Motor Control Board Kit

Includes:

- 1 - Housing base, Motor Control Board
- 2 - #8-10 x 3/4" full thread, Phillips, pan head, stainless steel screws

| Handing | PN |
|---------|----------|
| LH | 11852560 |
| RH | 11852561 |



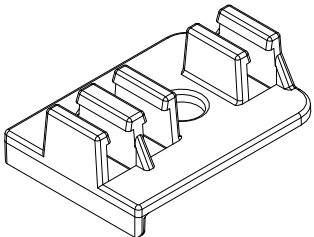
LH shown

Wire Holder Kit

Includes:

- 1 - Wire holder
- 2 - #8-10 x 3/4" full thread, Phillips, pan head, stainless steel screws

| PN |
|----------|
| 11852562 |

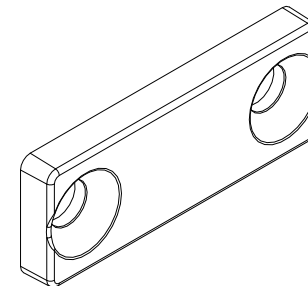


Track Stop Kit

Includes:

- 1 - Track stop
- 2 - #8-15 x 1/2" type AB, Phillips, flat head screws

| PN |
|----------|
| 11852563 |

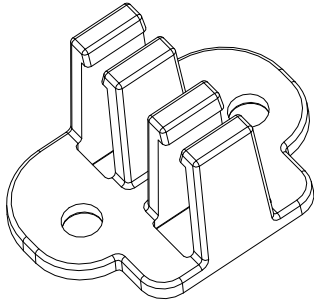


Motor and Harness Wire Organizer Kit

Includes:

- 1 - Motor and harness wire organizer
- 2 - #8-10 x 3/4" full thread, Phillips, pan head, stainless steel screws

| PN |
|----------|
| 11852564 |

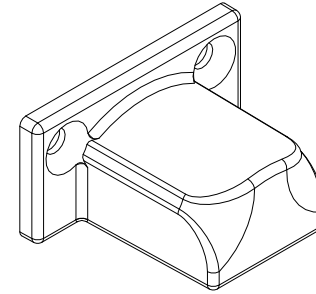


Motorized Bumper Kit, Sash

Includes:

- 1 - Bumper
- 2 - #8-15 x 1/2" Phillips, flat head screws

| PN |
|----------|
| 11852565 |

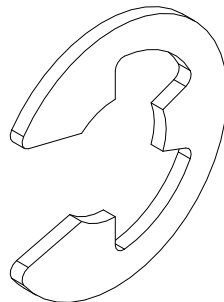
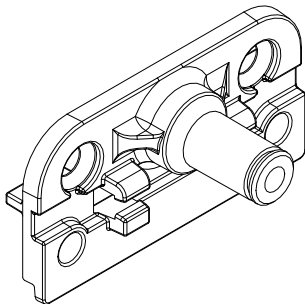


Sash Actuator Bracket Kit, Frame

Includes:

- 1 - Bracket
- 1 - E-Clip, 3/8 shaft
- 1 - Flange bushing
- 2 - #8-10 x 3/4" full thread, Phillips, pan head, stainless steel screws
- 2 - #10-12 x 3" Torx, pan head 2/3 thread screws
- 2 - #8-32 x 1 1/4" Trilobular screws

| PN |
|----------|
| 11852566 |

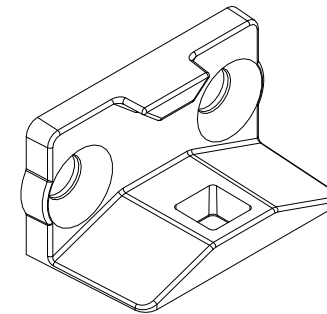


Bracket Kit, Sash

Includes:

- 1 - Bracket
- 2 - #8-15 x 1/2" type AB, Phillips, flat head screws

| PN |
|----------|
| 11852567 |

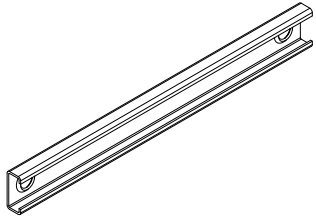


Operator Track Kit

Includes:

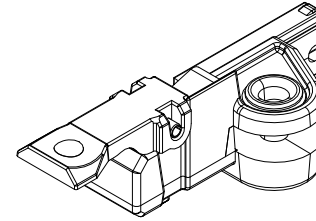
- 1 - Awning operating track
- 2 - #8-15 x 1/2" full thread, Phillips, flat head screws

| Length | PN |
|----------|----------|
| 5" (127) | 11852568 |



Sash Connector

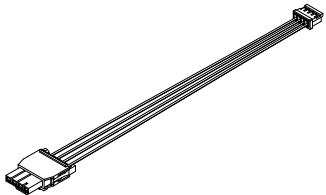
| Handing | PN |
|---------|----------|
| LH | 10501794 |
| RH | 10501795 |



NOTE: Handing follows the unit handing. LH shown

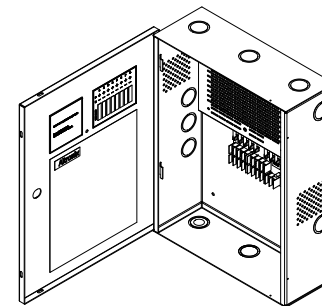
Supercapacitor Wire Harness

| Length | Frame Width | PN |
|-----------|---------------------|----------|
| 4" (102) | 36.125" to 108.000" | 10810026 |
| 23" (584) | 23.500" to 27.499" | 10810027 |
| 31" (787) | 27.500" to 36.124" | 10810033 |



Power Supply Box

| PN |
|----------|
| 02066143 |



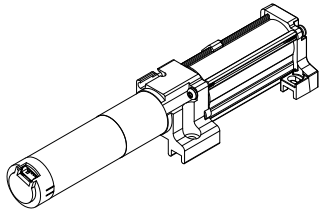
Manual or Non Manual Actuator Lock Kit

Includes:

- 1 - Manual or Non Manual lock actuator*
- 2 - #8-10 x 3/4" full thread, Phillips, pan head, stainless steel screws

*Parts are handed and or change length for Manual vs. Non Manual capable actuators

| Description | Handing | Frame Width | PN |
|-------------|---------|--------------------|----------|
| Manual | LH | 38.500" to 96.000" | 11852577 |
| | RH | | 11852578 |
| Non Manual | LH | 23.500" to 38.499" | 11852575 |
| | RH | | 11852576 |

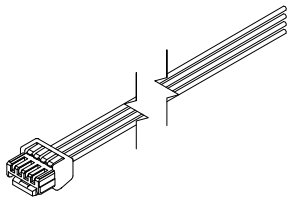


NOTE: Handing of lock actuator follows the unit handing. RH Non Manual shown.

Y Branch Wire Harness

NOTE: Wire harness replacement also requires a 4" Cable Tie (ordered separately)

| Length | Frame Height | PN |
|------------|--------------------|----------|
| 31" (787) | 18.000" to 21.999" | 10810023 |
| 37" (940) | 22.000" to 27.999" | 10810024 |
| 44" (1118) | 28.000" to 34.999" | 10810025 |
| 53" (1346) | 35.000" to 44.000" | 10810053 |

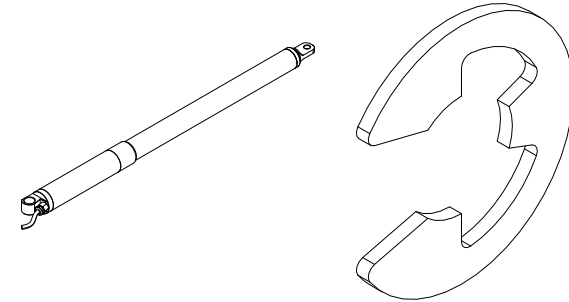


Sash Actuator Kit

Includes:

- 1 - Sash actuator
- 1 - E-Clip, 3/8 shaft
- 1 - 4" cable tie
- 1 - 1/4-20 x 5/8" Phillips, flat head screw

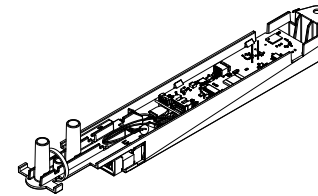
| Length | Frame Height | PN |
|---------------------|--------------------|----------|
| 4" short wire (127) | 18.000" to 29.749" | 11852573 |
| 4" long wire (127) | 29.750" to 44.000" | 11852572 |



Wireless Control Board

NOTE: Wire harness replacement also requires a 4" Cable Tie (ordered separately)

| PN |
|----------|
| 10810028 |

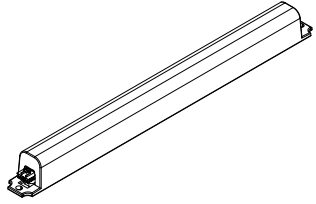


Supercapacitor Kit

Includes:

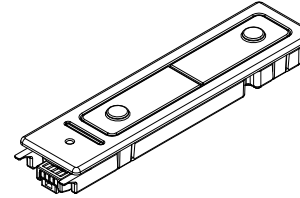
- 1 - Supercapacitor subassembly
- 2 - #8-10 x 3/4" full thread, Phillips, pan head, stainless steel screws

| PN |
|----------|
| 11852579 |



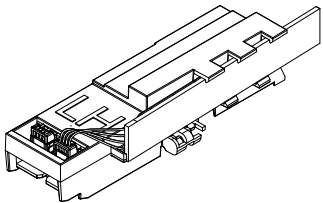
On Unit Control

| Color | PN |
|-------------|----------|
| Matte Black | 10810032 |
| Stone White | 10810031 |



Motor Control Board

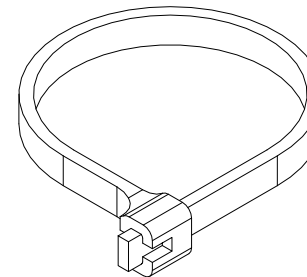
| Handing | PN |
|---------|----------|
| LH | 10810029 |
| RH | 10810030 |



NOTE: Handing follows the unit handing. LH shown

Tie Cable Kit, Narrow, 4"

| Color | PN |
|-------|----------|
| Black | 11852525 |



Tie Bar Assembly

Automated

Includes:

#8-10 x 3/4" full thread, Phillips, pan head stainless steel screws

NOTE: Tie Bars for Automated units must be ordered by configured part to have the proper hardware applied to them.



CLiC Glass Controller, Single Channel, Kit

Includes:

- 1 - Gen1 Controller (10700214)
- 1 - Power Supply (10700024)

| |
|-----------|
| PN |
| 10700238 |



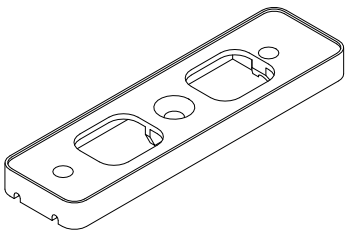
CLiC Glass Controller, 8-Channel Hub

| |
|-----------|
| PN |
| 10700198 |



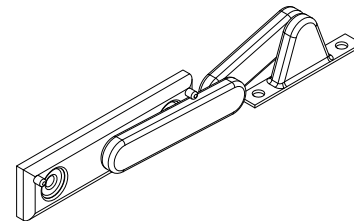
Powerlink Spacer

| |
|-----------|
| PN |
| 10503550 |



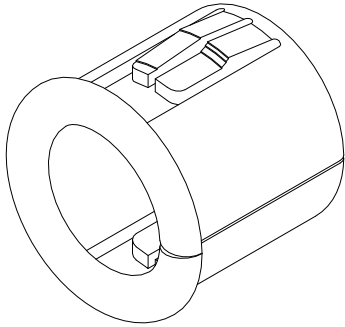
CLiC Powerlink

| |
|-----------|
| PN |
| 10703380 |



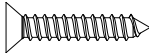
Grommet, 3/8"

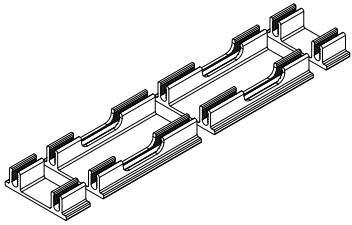
| Color | PN |
|-------|----------|
| Black | 10892865 |



#6-18 x 3/4" Type A, Full Thread Screw

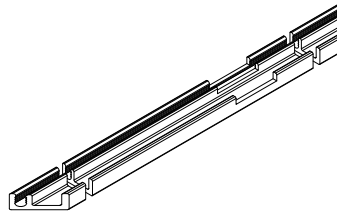
| PN |
|----------|
| 11801531 |





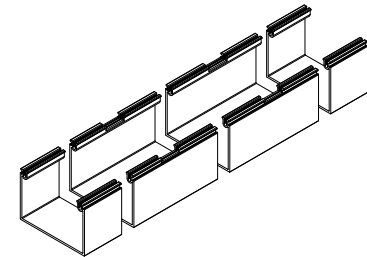
A3315

Mull Cover, w/CLiC Route



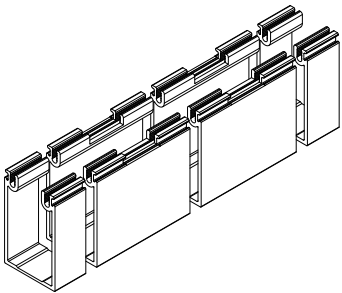
A3316

Trim, Interior, Vertical, w/CLiC Route



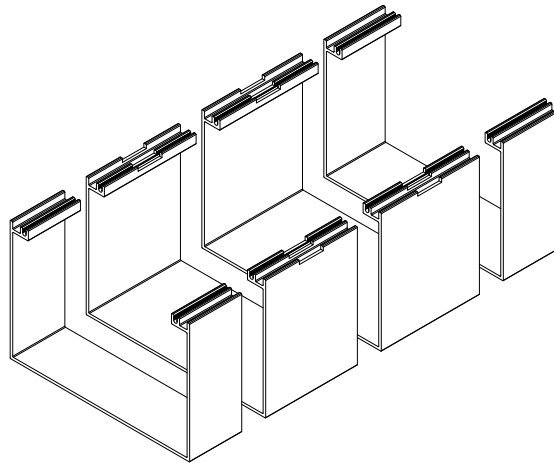
A3512

Mull Cover, Interior, 2" x 4", Vertical Jamb, w/CLiC Route



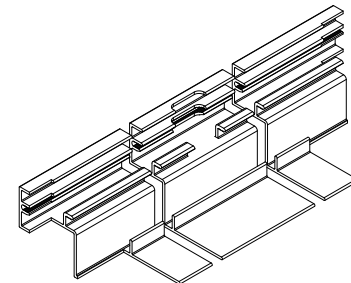
A3513

Mull Cover, Interior, 5" x 4", Vertical Jamb, w/CLiC Route



A3567

Mull Cover, Interior, 4 1/2", Vertical, w/CLiC Route

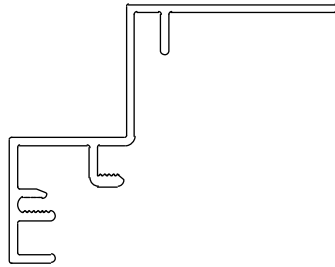


A3390

Interior Cover, Jamb, w/CLiC Route

Replacement Interior Covers are available as a configured part in OMS.

NOTE: If a new escutcheon cover is needed when ordering a new interior cover for an Awning Push Out, it must be ordered separately. See "Push Out Escutcheon Kit" in the Handle pages of this section for part numbers.



A3390

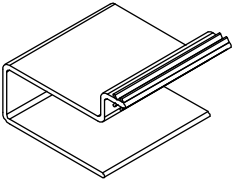
Interior Cover

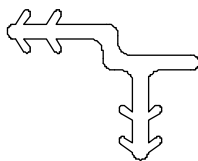
Frame Cover Support

V3126

Crank Out, Push Out, Picture and Automated

| Length | Color | PN |
|-------------|---------|----------|
| 1 1/2" (38) | Natural | 16219325 |





Connecting Barb, V087

Crank Out, Push Out and Picture

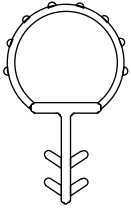
No longer available - use current part

Sash Weather Strip

V147

Crank Out, Push Out, Picture and Automated

| Length | Color | PN |
|-------------|-------|----------|
| 150" (3810) | Black | 17002299 |

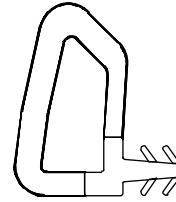


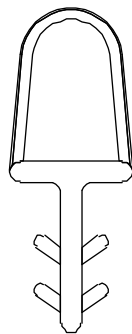
Sash Weather Strip

V2808

Crank Out, Push Out, Picture and Automated

| Length | Color | PN |
|----------------|-------|----------|
| Specify Length | Black | 15356397 |





**Sash Weather Strip
V2803**

Crank Out and Push Out

No longer available - use current part

Replacement Sash: Replacement sash are available through Configured Parts in OMS.

NOTE: Sash is not reglazable; replacement glass will require a new sash.

Replacement Screens: Screens are available through Configured Parts in OMS.

NOTE: If a screen is being added to an existing product, stops must also be ordered.

Screen Latch Kit

Crank Out, Push Out and Automated

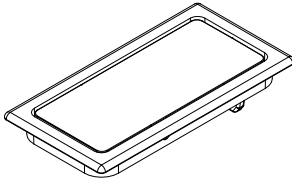
Includes:

- 1 - Screen latch assembly
- 2 - Rivets

Usage dates:

2/26/2024 to present

| Color | PN |
|--------------|----------|
| Matte Black | 11852585 |
| Matte Bronze | 11852586 |
| Stone White | 11852587 |
| Gunmetal | 11852588 |
| Silver | 11852589 |



Screen Latch Receiver Kit

Crank Out, Push Out and Automated

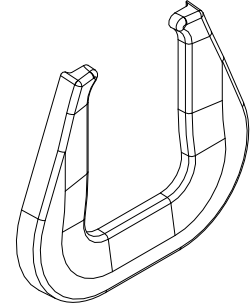
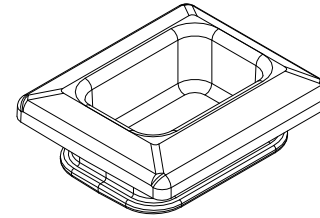
Includes:

- 1 - Screen latch receiver
- 1 - Screen latch receiver retainer

Usage dates:

2/26/2024 to present

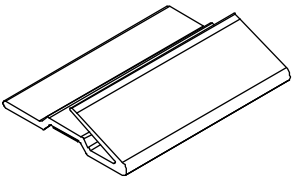
| Color | PN |
|--------------|----------|
| Matte Black | 11852590 |
| Matte Bronze | 11852591 |
| Stone White | 11852592 |
| Gunmetal | 11852593 |
| Silver | 11852594 |



Screen Alignment Bumper

Crank Out, Push Out and Automated

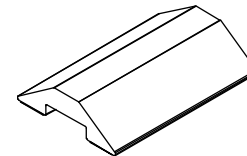
| Color | PN |
|-------|----------|
| Black | 15709427 |



Screen Bottom Rail Bumper

Crank Out, Push Out and Automated

| Color | PN |
|-------|----------|
| Black | 15709428 |



Screen Latch Assembly Kit

Crank Out and Push Out

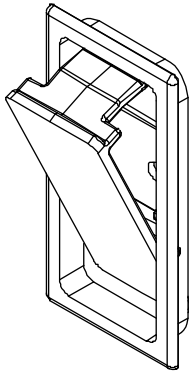
Includes:

- 1 - Screen latch assembly
- 2 - Rivets

Usage dates:

Prior to 2/26/2024

| Color | PN |
|-------------|----------|
| Ebony | 11862481 |
| Bronze | 11862482 |
| Stone White | 11862483 |
| Gunmetal | 11862484 |
| Silver | 11862485 |



Screen Latch Receiver Assembly Kit

Crank Out and Push Out

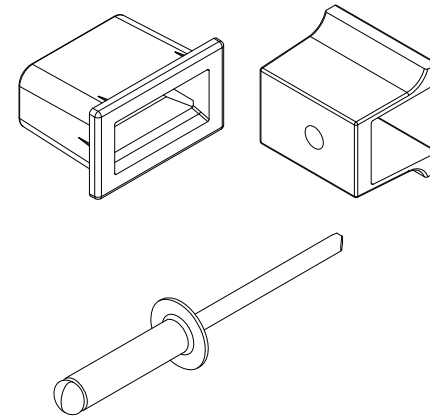
Includes:

- 1 - Screen hardware latch receiver
- 1 - Screen hardware receiver back
- 1 - Rivet

Usage dates:

Prior to 2/26/2024

| Color | PN |
|-------------|----------|
| Ebony | 11862486 |
| Bronze | 11862487 |
| Stone White | 11862488 |
| Gunmetal | 11862489 |
| Silver | 11862490 |



T20 Torx Tamper-Proof Custodial Bit

Crank Out, Push Out and Automated

| |
|----------|
| PN |
| 02071481 |

