

Essential Direct Glaze Polygon

Unit Features.....	1
Certified Sizes and Rating.....	2
Section Details - Direct Glaze - 2" Jambs	3
Section Details - Direct Glaze - 4 9/16" Jambs	4
Section Details - Direct Glaze - 6 9/16" Jambs	5
Section Details - Direct Glaze Door Transom - 3 3/8" Jambs	6
Section Details - Direct Glaze Door Transom - 4 9/16" Jambs	7
Section Details - Direct Glaze Door Transom - 6 9/16" Jambs	8
Direct Glaze Rectangle Casement/Awning	9
Measurement Information	10
Slope to Angle and Angle to Pitch Conversion.....	12
Installation Suggestion - Frame Expander	13
Installation Suggestion - Brick Veneer with Steel Frame Construction	14
Installation Suggestion - Vinyl Siding with 2x4 Frame Construction	15
Installation Suggestion - Vinyl Siding with 2x6 Frame Construction	16
Installation Suggestion - Stucco with 2x6 Frame Construction	17

Unit Features

Essential Direct Glaze Polygon: ESDGP (P3, P4, P5, P8)

For applicable certification and code information, refer to the Introduction and Product Performance chapter.

Frame:

- The frame is made of Ultrex, an advanced fiber reinforced material that is resistant to thermal conductance.
- Exterior colors: Stone White, Pebble Gray, Bronze, Cashmere, Gunmetal, or Ebony.
- The interior coating meets all the requirements of 00022716 in Stone White, Bronze, Gunmetal, and Ebony.
- Split finishes are not available for Dark Interior options. Only Bronze interior/Bronze exterior, Gunmetal interior/Gunmetal exterior, and Ebony interior/Ebony exterior combinations are available.
- Composite frame thickness is 1 23/32" (44). Frame width is 3 3/32" (79). Ultrex wall is .065" - .070" (2) thick.

Jamb Extension:

- 2" (51) is standard. 4 9/16" (116) and 6 9/16" (167) maintenance free jamb extension available.
- Available in Stone White, Bronze, Gunmetal, or Ebony. Default color will match the unit interior selection. Split finishes not available for Dark Interior options. Stone White jamb extension is available for all interior color selections.

Installation:

- Nailing fin.
- Through jamb installation.
- Structural brackets.

Glazing:

- All units are manufactured with a 7/8" (22) IG with Low E2, E3, E1, E3/ERS, or no coating including argon gas fill. Tempered glass and/or obscure glass, and California Fire glass (annealed exterior and tempered interior glazing configuration) are available as an option. The glazing seal is a beige silicone bedding on the exterior surface and the interior utilizes a rigid vinyl glazing stop. The perimeter spacer default color is mill finish (stainless). An optional black perimeter spacer color is available for all interior color selections. Optional 3.1/4.7 glass is available. See the Product Performance chapter for STC and OITC ratings. Decorative glass options include glue chip, rain, reed, narrow reed, frost, and tinted (bronze, gray or green). Decorative glass is not available with Low E1, Low E3/ERS, or STC/OITC.

GRILLES-BETWEEN-THE-GLASS (GBG) size limitations may apply (rectangles only):

- Interior bar: 23/32" (18) contoured aluminum bar placed between two pieces of glass. Color: Stone White, Pebble Gray, Bronze, Cashmere, Gunmetal, or Ebony exterior; Stone White, Bronze, Gunmetal, or Ebony interior (matches unit interior color). Pattern: rectangular, 6 or 9 Prairie cut, or Cottage style cut. Due to size limitation, 6 or 9 lite may apply. Default is for stand-alone units. GBG not available with tinted glass.

Exterior Casing (rectangles only):

- Non-integral to the unit. Fastened to the exterior wall with barb and kerf 2" brick mould as a full surround or with sill nosing. 3 1/2" flat casing available as full surround or with sill nosing. Also available with 1" ranch style sill and header overhang

Accessories:

- Field applied: J-channel, a 1" (25) or a 3" (76) frame expander, or flush fin installation kit
- Factory applied: sheet rock return for 1/2" (13) or 5/8" (16) drywall
- 3/4" (19) receiver
- Frame filler or a flush fin installation kit. Sheet rock return and 3/4" receiver color options: Stone White, Bronze, Gunmetal, or Ebony. Default color will match unit interior selection. Stone White sheet rock return and 3/4" receivers are available for all interior color selections.

NOTE: NFRC Values are now located on www.marvin.com

Mulling:

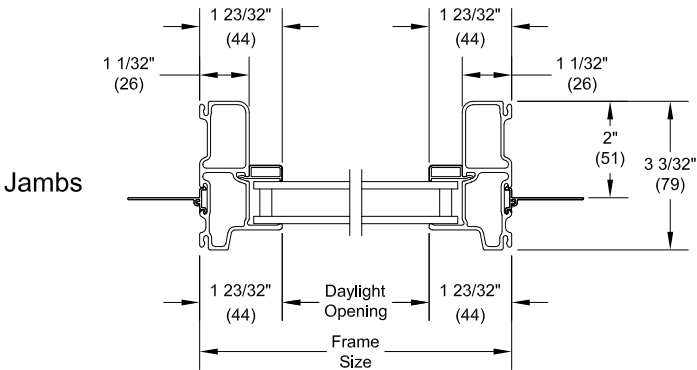
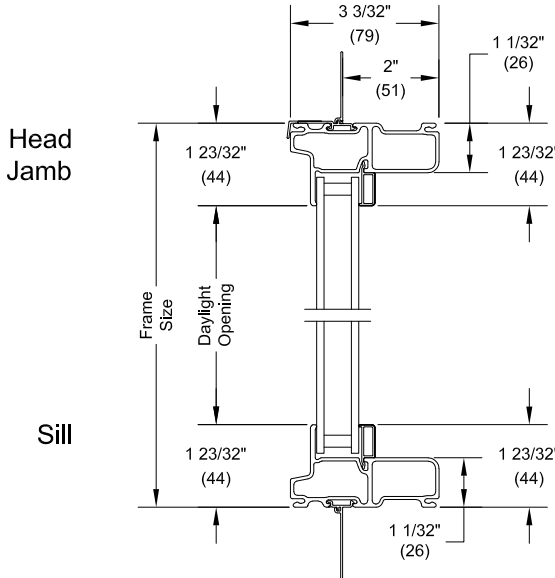
- For mull performance, refer to the Essential Mulling Chapter of the ADM.
- Mull kits are available for field assembly. Kits include instructions, mull covers, mull plugs and brackets.

Certified Sizes and Rating

Product	Air Tested to PSF	Water Tested to psf	Design Pressure (DP)	Certification Rating	Max Overall Width		Max Overall Height	
					in	mm	in	mm
Essential Direct Glaze	1.57	8.36	50	LC-PG50-FW	83	(2108)	83	(2108)
Essential Direct Glaze	1.57	8.36	50	LC-PG50-FW	73	(1854)	73	(1854)

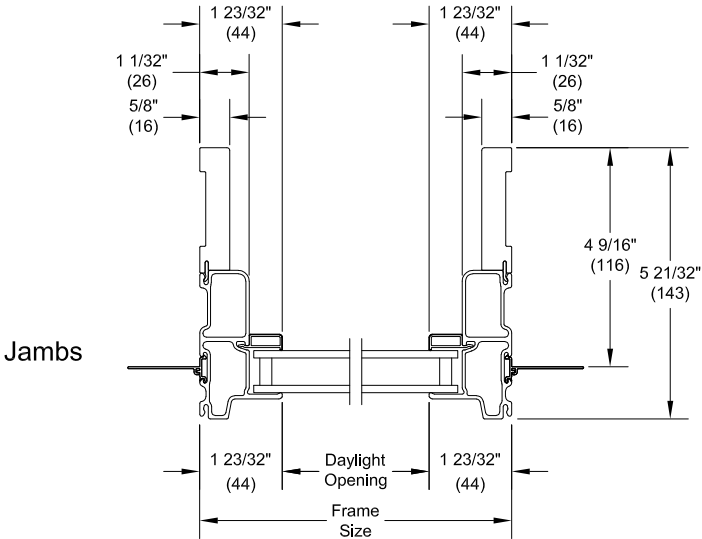
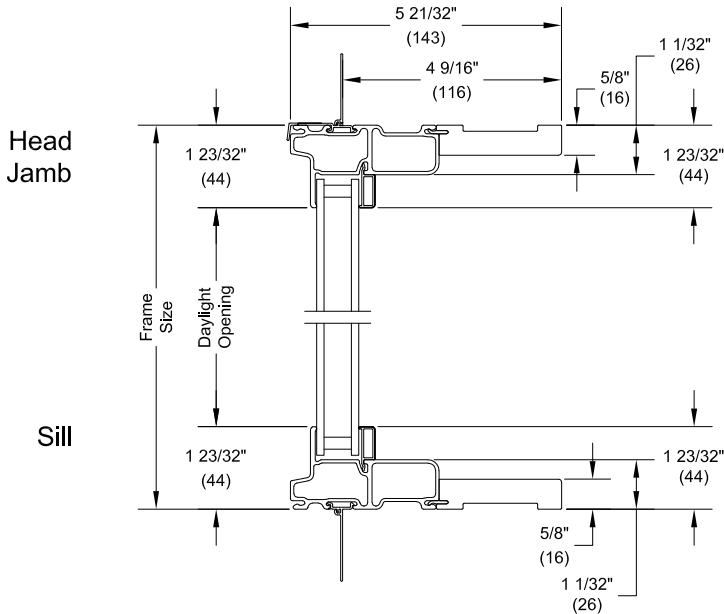
Section Details - Direct Glaze - 2" Jamb

SCALE: Not to Scale



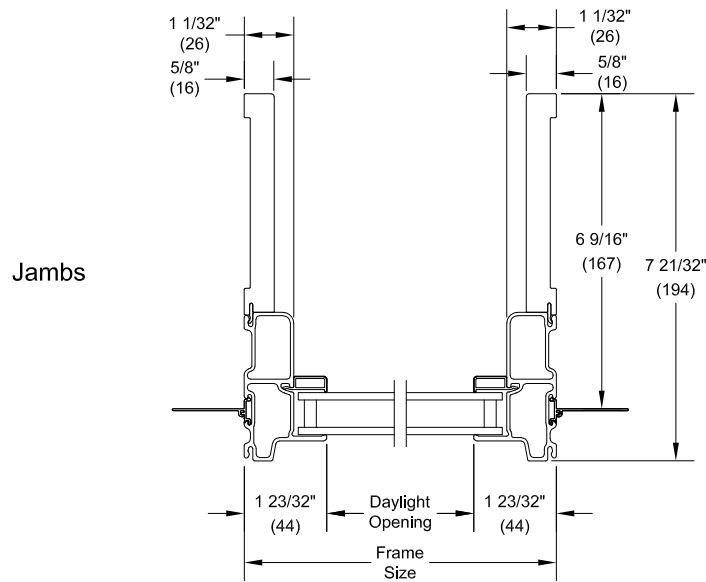
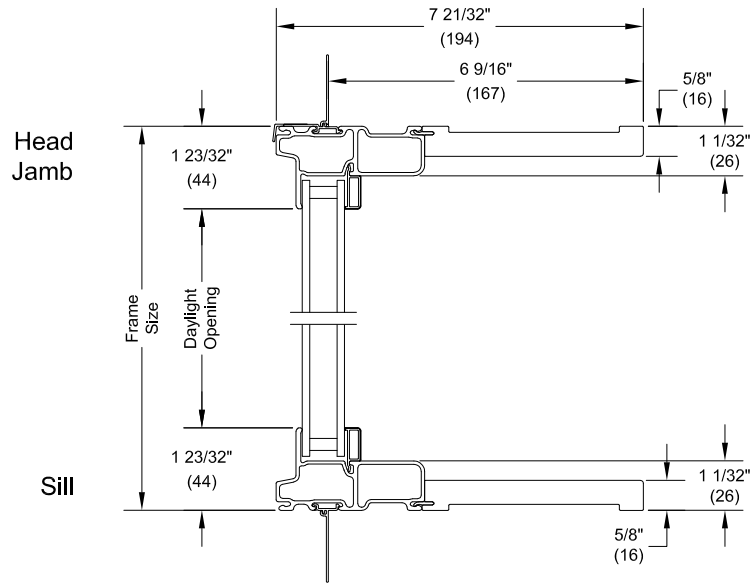
Section Details - Direct Glaze - 4 9/16" Jamb

SCALE: Not to Scale



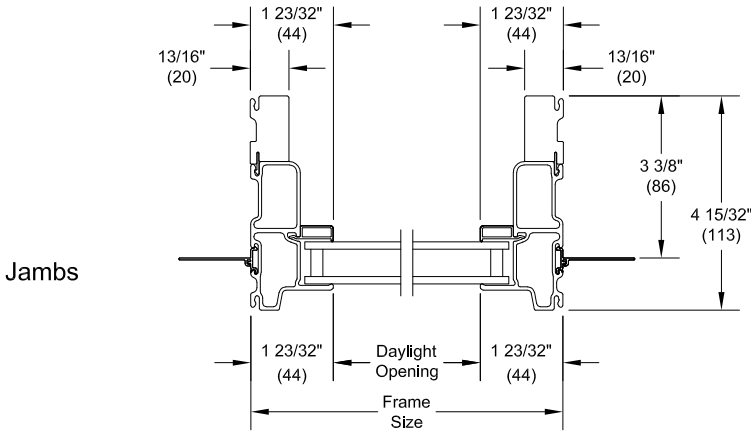
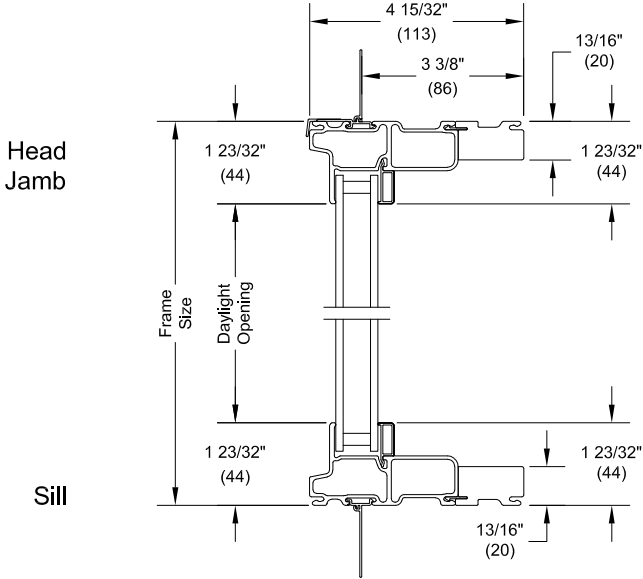
Section Details - Direct Glaze - 6 9/16" Jamb

SCALE: Not to Scale



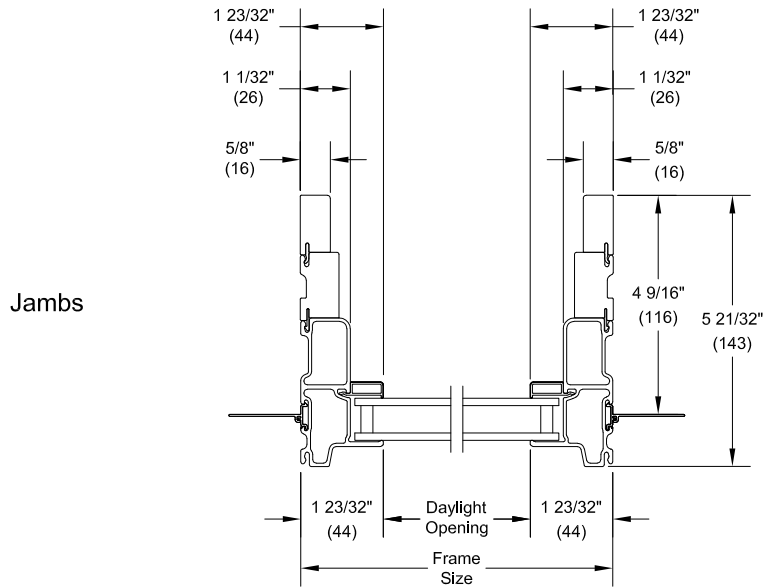
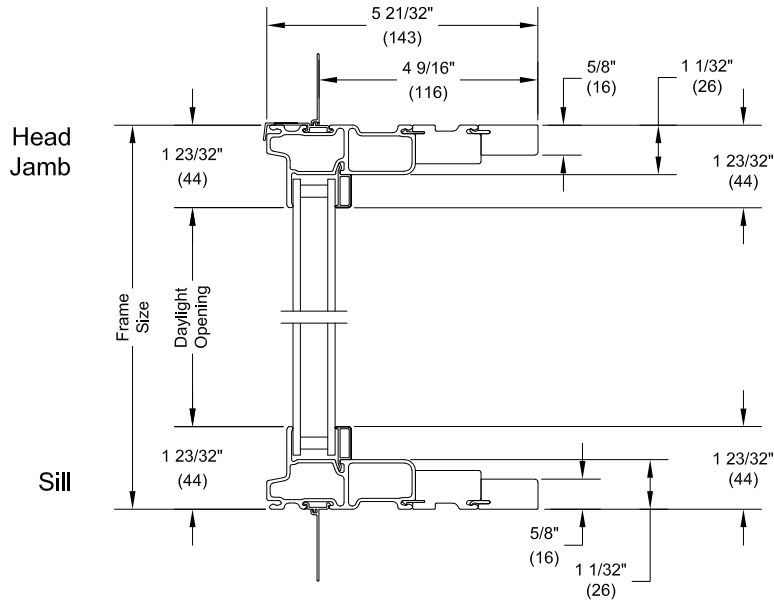
Section Details - Direct Glaze Door Transom - 3 3/8" Jamb

SCALE: Not to Scale



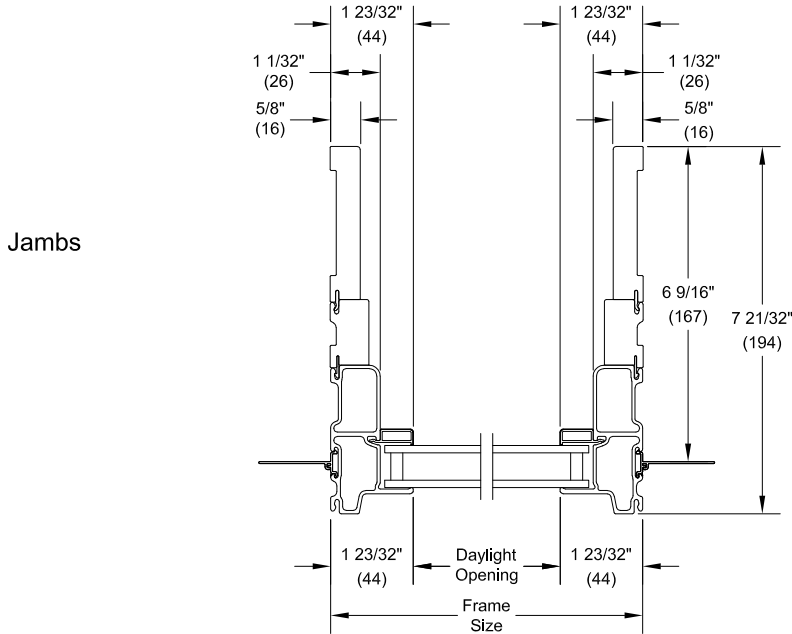
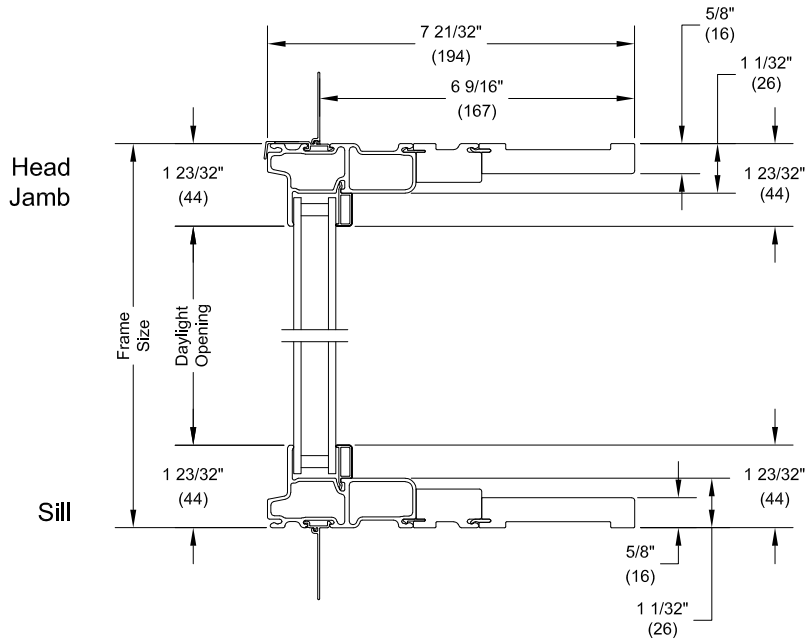
Section Details - Direct Glaze Door Transom - 4 9/16" Jamb

SCALE: Not to Scale

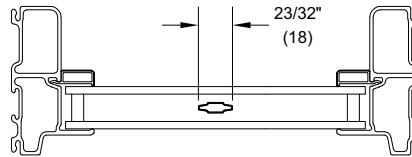


Section Details - Direct Glaze Door Transom - 6 9/16" Jamb

SCALE: Not to Scale



Direct Glaze Rectangle Casement/Awning

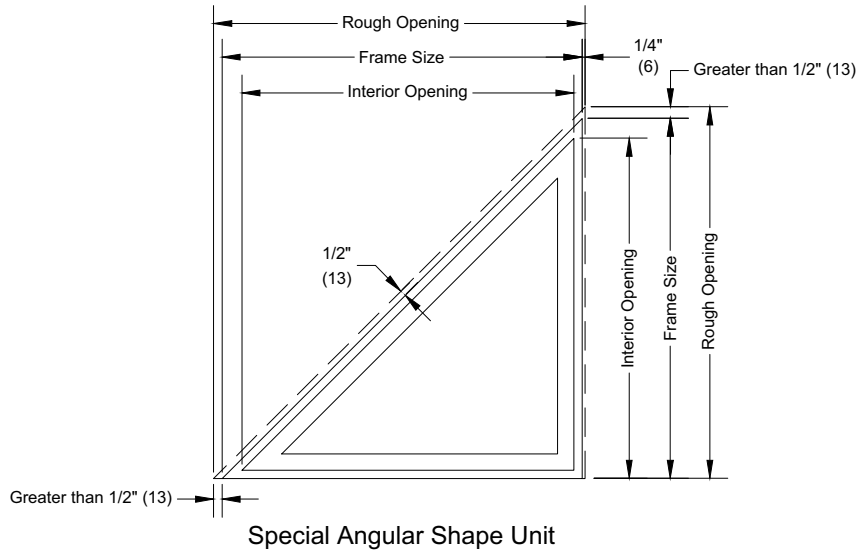


Aluminum Grilles Between Glass
(Available In Rectangles Only)

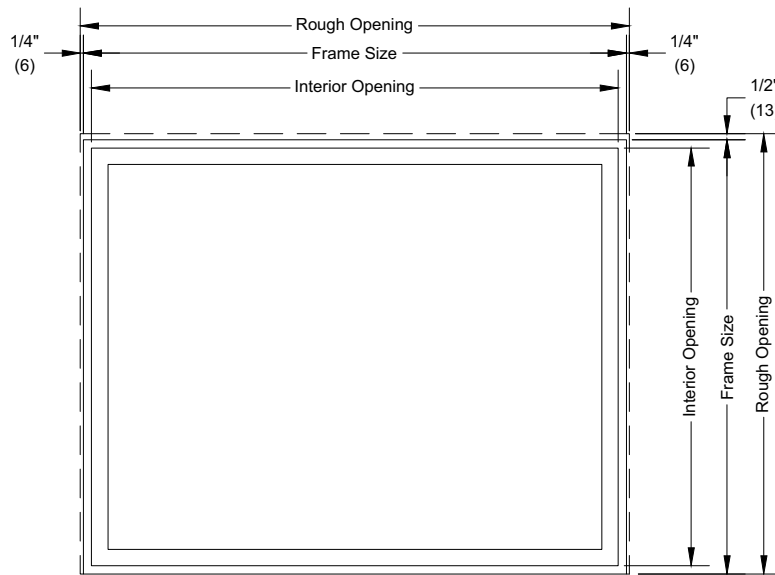
Lite Pattern	Minimum DLO	Minimum		Maximum	
		R.O. Width	R.O. Height	R.O. Width	R.O. Height
Rectangular	4 1/2"	>24"	>24"	85 1/4"	85 1/4"
9-Lite Prairie	4"	>24"	>24"	85 1/4"	85 1/4"
6-Lite Top Prairie	4"	16"	16"	85 1/4"	24"
6-Lite LH or RH Prairie	4"	16"	16"	24"	85 1/4"

- GBGs are available on Rectangle shape Polygons only.
- Available GBG lite cuts are rectangular equal lites, Prairie patterns, and Cottage Style patterns.
- Special size direct glaze rectangle units with rectangular lite patterns will have equally spaced lites and may not align with the standard unit GBGs unless specified at the time of the order.
- Prairie available in 9 lite and 6 lite top, bottom, left, and right patterns.
- Special size direct glaze rectangle units with Prairie lite patterns will default to 4" Daylight Opening (DLO) corners and may not align with the standard unit Prairie GBGs unless specified at the time of the order.
- Special size direct glaze rectangle with Cottage lite cuts will default to 10" Daylight Opening (DLO) height and may not align with the standard unit Cottage GBG unless specified at the time of the order.
- GBGs are not available with an unsupported bar length > 72"

Measurement Information



Special Angular Shape Unit

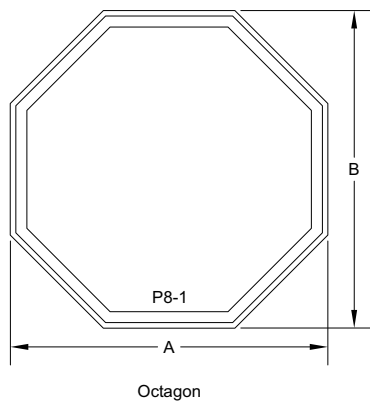
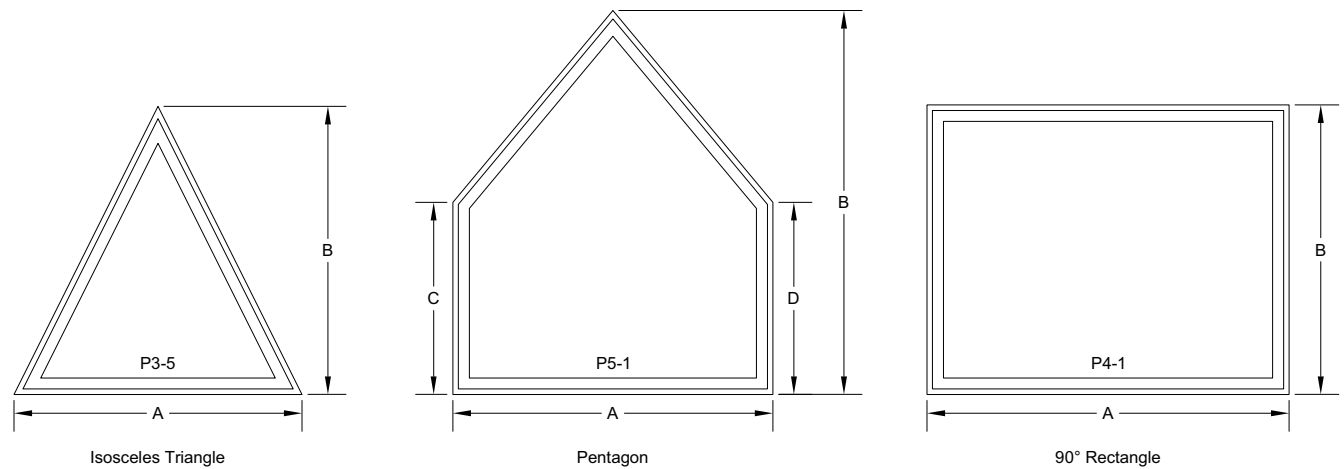
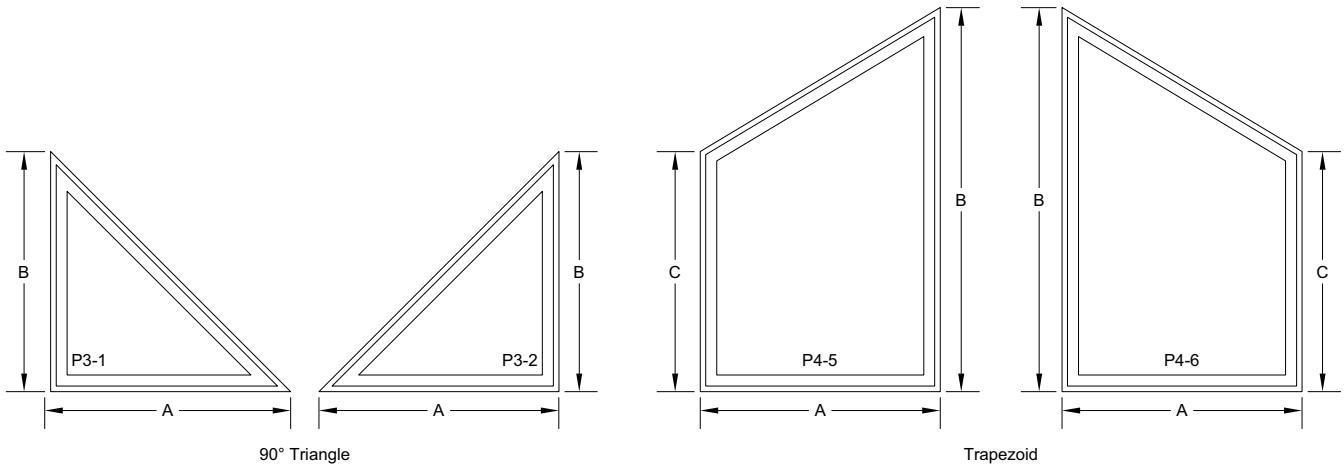


Rectangular Unit

NOTES:

- On all units, we maintain our clearance or conversion dimension perpendicular to the frame. For this reason, standard rectangular conversions cannot be used for any unit involving angles. These must be calculated on an individual basis. If any dimension is critical (such as frame measurement to match lower unit) then order should be placed with that dimension. The order will be converted to the accurate rough opening. When calculating Angular shapes, contact your Marvin Architectural Representative.
- Rough opening tolerance is 1/2 (13) perpendicular to frame, except on sill.
- Masonry opening tolerance is 0 on width and 1/4 (6) on height perpendicular to frame, except on sill.
- Minimum angle on any shape is 15 degrees.

Measurement Information



How to Specify Dimensions:

When ordering a trapezoid, triangle, or rectangle window, provide a sketch of the unit as viewed from the exterior, also include key rough opening dimensions.

Example:

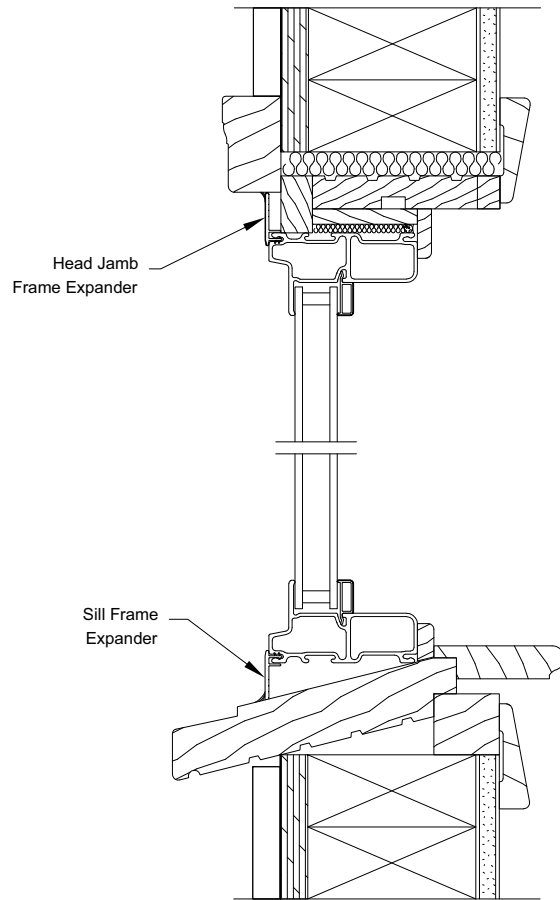
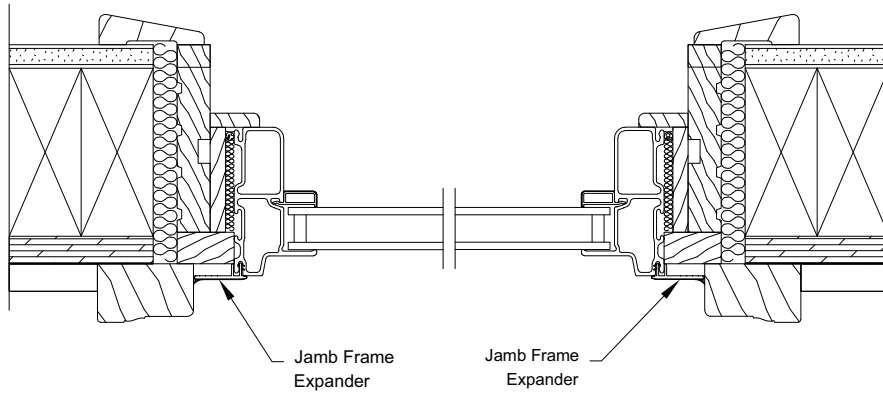
To order a window of a trapezoid opening, provide the measurements of A, B, and C as indicated. For other shapes, give the dimensions shown.

Slope to Angle and Angle to Pitch Conversion

Slope to Angle / Degree Conversions					
Slope	Angle	Degree / Minutes	Slope	Angle	Degree / Minutes
1/12	4.76	4 degree 46'	13/12	47.29	47 degrees 14'
2/12	9.46	9 degree 28'	14/12	53.13	49 degrees 24'
3/12	14.04	14 degree 2'	15/12	54.78	51 degrees 20'
4/12	18.43	18 degree 26'	16/12	56.3111	53 degrees 8'
5/12	22.62	22 degree 37'	17/12	54.78	54 degrees 47'
6/12	26.57	26 degree 34'	18/12	56.31	56 degrees 19'
7/12	30.26	30 degree 15'	19/12	57.72	57 degrees 43'
8/12	33.69	33 degree 41'	20/12	59.04	59 degrees 2'
9/12	36.87	36 degree 52'	21/12	60.26	60 degrees 15'
10/12	39.81	39 degree 48'	22/12	61.39	61 degrees 23'
11/12	42.51	42 degree 31'	23/12	62.45	62 degrees 27'
12/12	45.00	45 degree 0'	24/12	63.43	63 degrees 26'

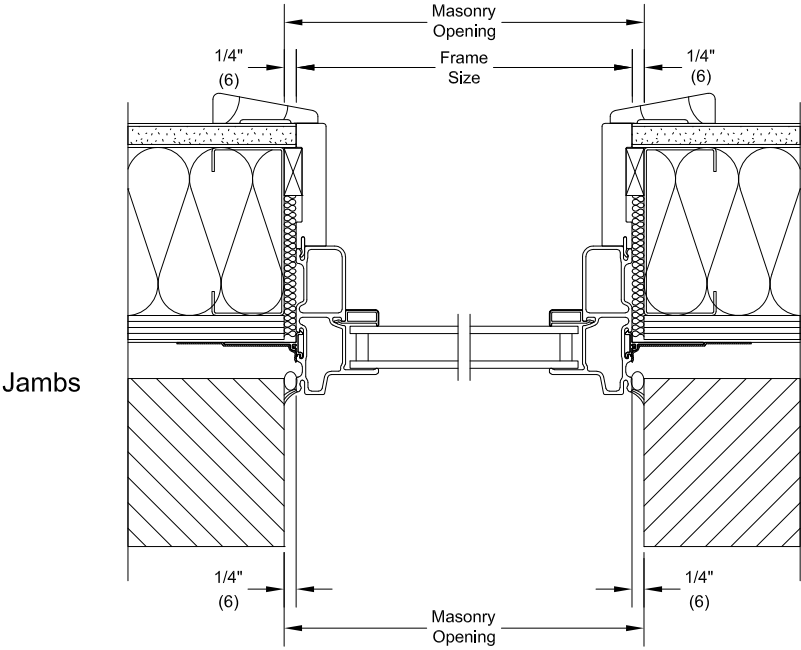
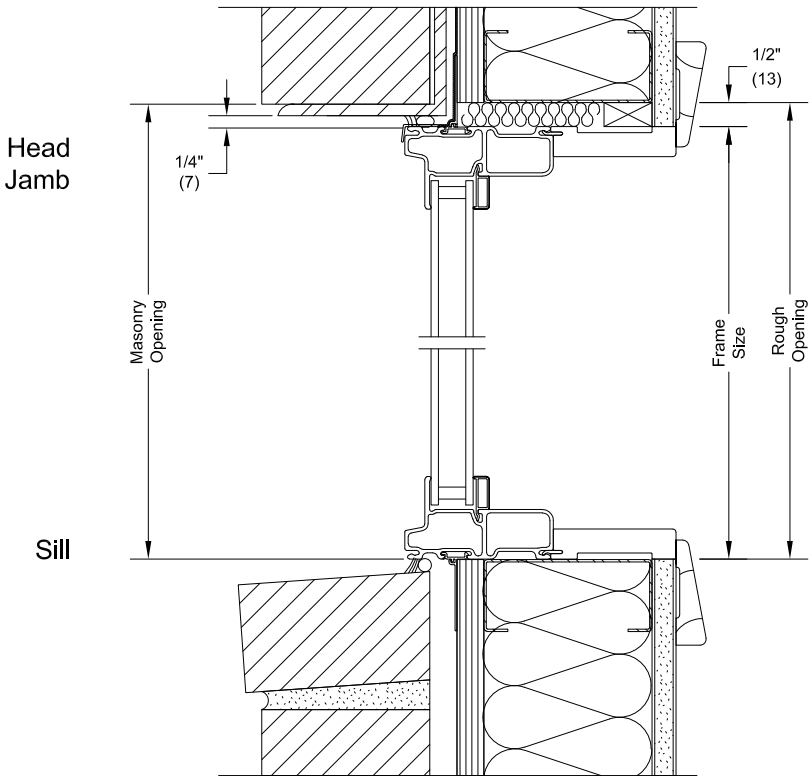
Angle to Pitch Conversions							
Angle	Pitch	Angle	Pitch	Angle	Pitch	Angle	Pitch
1	0.21/12	26	5.85/12	51	14.82/12	76	48.13/12
2	0.42/12	27	6.11/12	52	15.36/12	77	51.98/12
3	0.63/12	28	6.38/12	53	15.92/12	78	56.92/12
4	0.84/12	29	6.65/12	54	16.52/12	79	61.73/12
5	1.05/12	30	6.93/12	55	17.14/12	80	68.06/12
6	1.26/12	31	7.21/12	56	17.79/12	81	75.77/12
7	1.47/12	32	7.50/12	57	18.48/12	82	85.38/12
8	1.69/12	33	7.79/12	58	19.20/12	83	97.73/12
9	1.90/12	34	8.09/12	59	19.97/12	84	114.17/12
10	2.12/12	35	8.40/12	60	20.78/12	85	137.16/12
11	2.33/12	36	8.72/12	61	21.65/12	86	171.61/12
12	2.55/12	37	9.04/12	62	22.57/12	87	228.97/12
13	2.77/12	38	9.38/12	63	23.55/12	88	343.64/12
14	2.99/12	39	9.72/12	64	24.60/12	89	687.48/12
15	3.22/12	40	10.07/12	65	25.73/12		
16	3.44/12	41	10.43/12	66	26.95/12		
17	3.67/12	42	10.80/12	67	28.27/12		
18	3.90/12	43	11.19/12	68	29.70/12		
19	4.13/12	44	11.59/12	69	31.26/12		
20	4.37/12	45	12.00/12	70	32.97/12		
21	4.61/12	46	12.43/12	71	34.85/12		
22	4.85/12	47	12.87/12	72	36.93/12		
23	5.09/12	48	13.33/12	73	39.25/12		
24	5.34/12	49	13.80/12	74	41.85/12		
25	5.60/12	50	14.30/12	75	44.78/12		

Installation Suggestion - Frame Expander



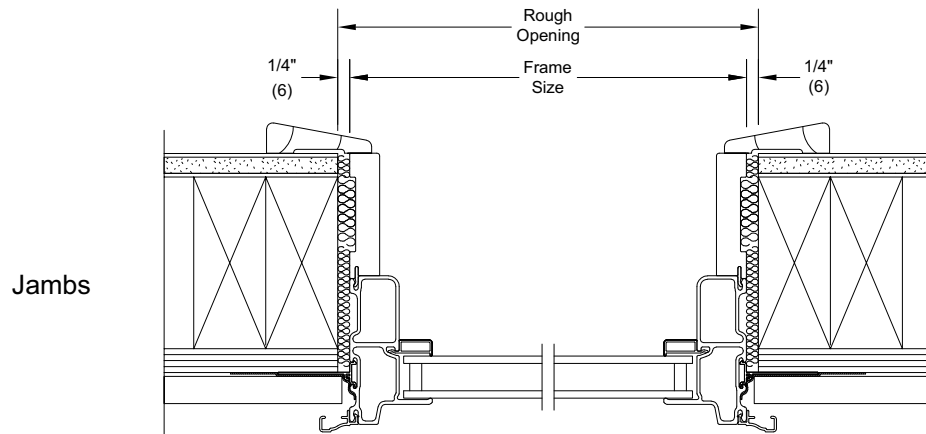
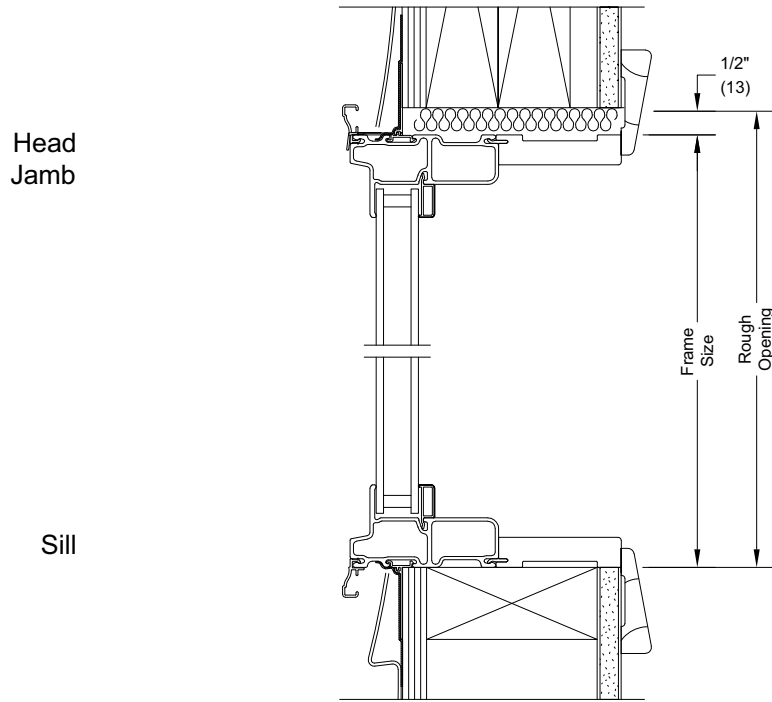
Installation Suggestion - Brick Veneer with Steel Frame Construction

SCALE: 3" = 1'0"



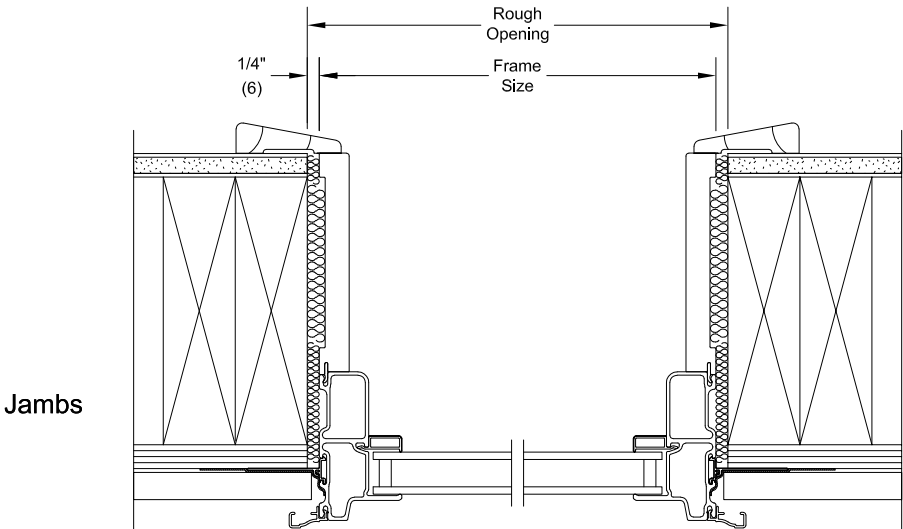
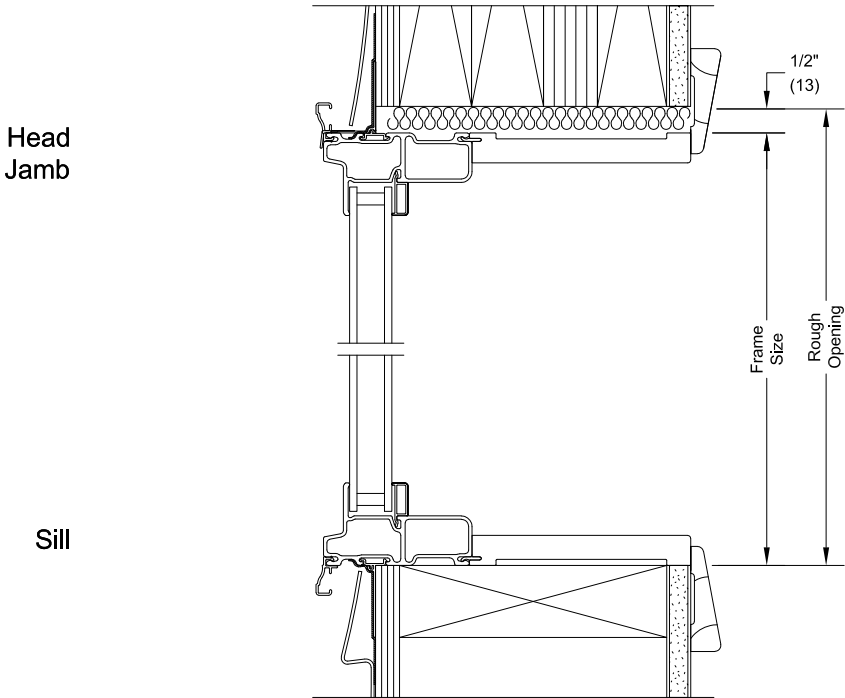
Installation Suggestion - Vinyl Siding with 2x4 Frame Construction

SCALE: 3" = 1'0"



Installation Suggestion - Vinyl Siding with 2x6 Frame Construction

SCALE: 3" = 1'0"



Installation Suggestion - Stucco with 2x6 Frame Construction

SCALE: 3" = 1'0"

