



Ultimate Sliding French Door G2

Replacement Parts

Specifications and technical data are subject to change without notice.

Numbers listed in () parentheses are metric equivalents in millimeters rounded to the nearest whole number.

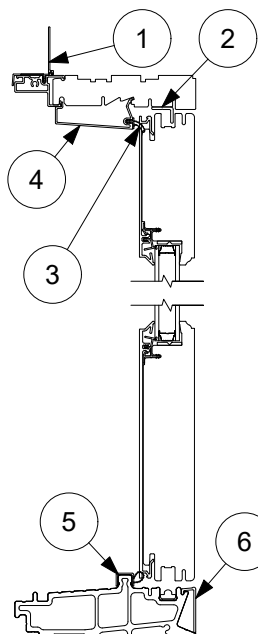
Suggested fasteners are not included and must be ordered separately.

Illustrations are not to scale.

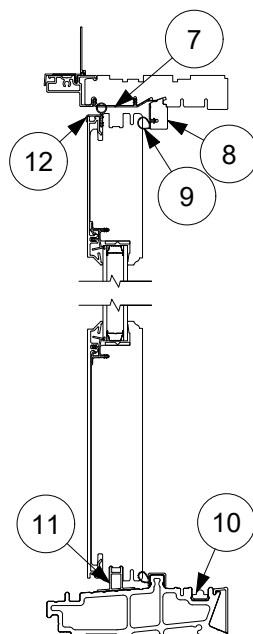
Contents

Product History.....	2
Part Identification - Head Jamb and Sill Details	3
Part Identification - 1 and 2 Panel - Jamb Details	4
Part Identification - 3 and 4 Panel - Jamb Details	5
Part Identification - Transom.....	6
Part Identification - Transom Jamb.....	7
Panel Options.....	8
Harp Handle	9
Vertical Handle	14
Flush Pull.....	17
Handle Parts	20
Miscellaneous Parts	21
Miscellaneous Parts - Accessibility Sill	30
Lock Status Sensor Parts.....	32
Aluminum Parts	33
Vinyl Parts.....	35
Vinyl Parts - Fabricated	36
Wood Parts.....	37
Weather Strip	38
Sill Replacement - Configured Parts in OMS.....	41
Panel Replacement - Configured Parts in OMS	42
Screen Replacement - Configured Parts in OMS	43
Service Only Parts.....	44

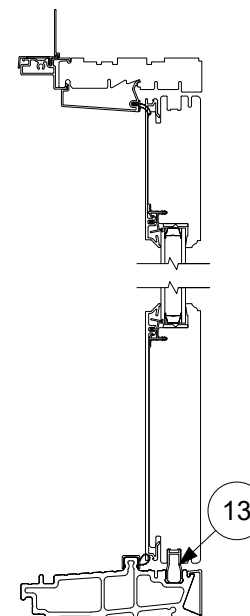
Produced	Unit Type	Features and Changes
2024	Ultimate Sliding Door	02/26/2024: Introduced the Ultimate Sliding French Door G2. See Product Bulletin 907 for more information. 04/29/2024: Replacement Sills were made available in Configured Parts in OMS. 10/28/2024: Accessibility Sill became available. See Product Bulletin 938 for more information.



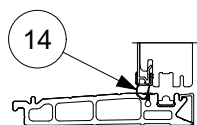
Active/Inactive Head Jamb and Performance Sill Detail



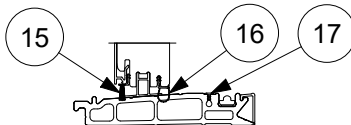
Exterior Stationary Head Jamb and Performance Sill Detail



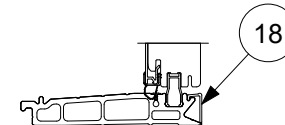
Interior Stationary Head Jamb (OXO) and Performance Sill Detail



Active/Inactive Accessibility Sill Detail



Exterior Stationary Accessibility Sill Detail



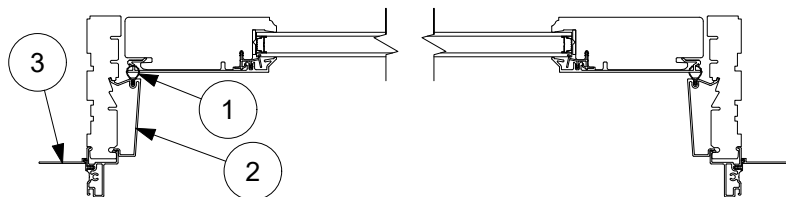
Interior Stationary (OXO) Accessibility Sill Detail

- 1. Head Jamb Nailing Fin, V119
- 2. Header Track, A03858
- 3. Weather Strip, V1194
- 4. Parting Stop, A3637
- 5. Sill Weather Strip, V03276
- 6. Sill Liner, A3727

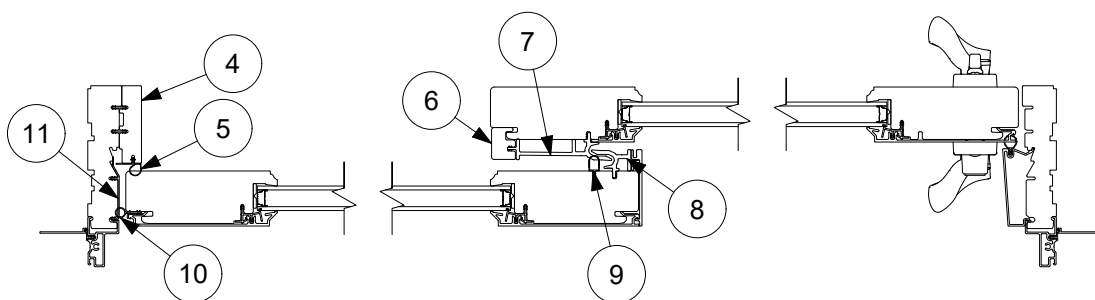
- 7. Exterior Vinyl Jamb Cover, V3224
- 8. Header Parting Stop, W15342
- 9. Header Parting Stop Weather Strip, V3117
- 10. Roller Track Assembly, V03251
- 11. Stationary Block, Exterior Sill, A3638
- 12. Top Rail Weather Strip, V3241

- 13. Stationary Block, Interior Sill, A3757
- 14. Weather Strip, Accessibility Sill, V03406
- 15. Pile Weather Strip, Accessibility Sill, V03381
- 16. Weather Strip, Accessibility Sill, V03405
- 17. Kerf Filler, Accessibility Sill, V03427
- 18. Sill Liner, Accessibility Sill, A03955

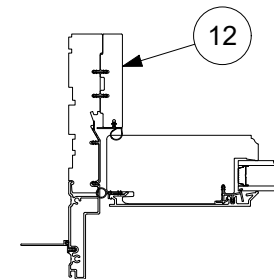
NOTE: All parts are used on 1 3/4 panel (4 9/16) doors and 2 1/4" panel (6 9/16) doors unless otherwise noted.



O - 4 9/16" Jambs - 1 3/4" Panel



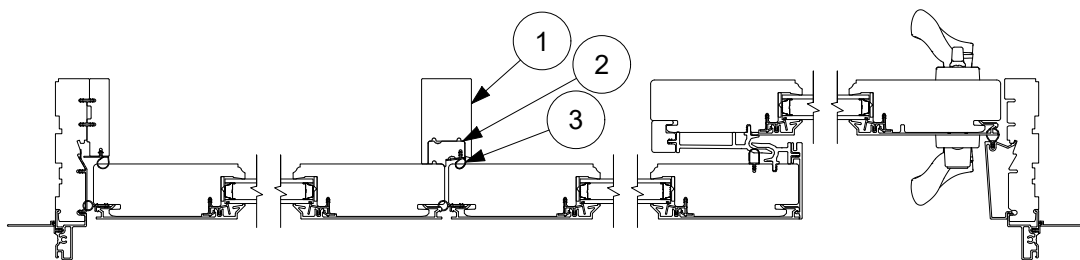
OX - 4 9/16" Jambs - 1 3/4" Panel



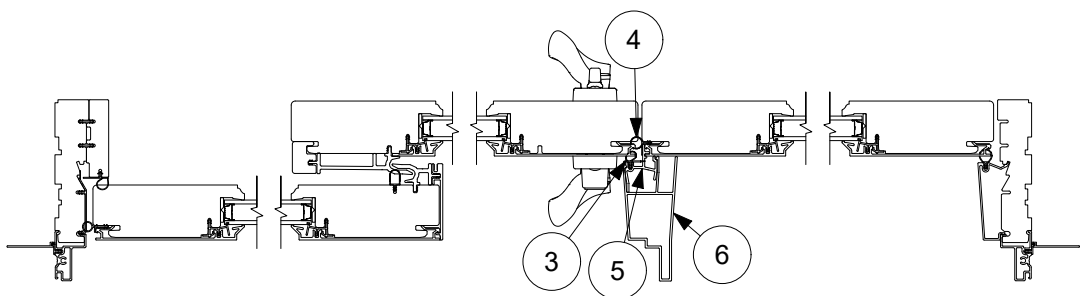
6 9/16" Jambs - 2 1/4" Panel

- | | |
|--|--|
| 1. Frame Weather Strip, V3200 | 7. Interlock, Operating Stile, V03255 |
| 2. Parting Stop, A3637 | 8. Interlock, V3086 |
| 3. Jamb Nailing Fin, V104 | 9. Interlock Weather Strip, Stationary Stile, V03419 |
| 4. Parting Stop, 4 9/16, W13541 | 10. Stile Weather Strip, V3243 |
| 5. Parting Stop Weather Strip, V3117 | 11. Exterior Vinyl Jamb Cover, V3224 |
| 6. Interior Meeting Stile Filler, W13393 | 12. Parting Stop, 6 9/16, W13543 |

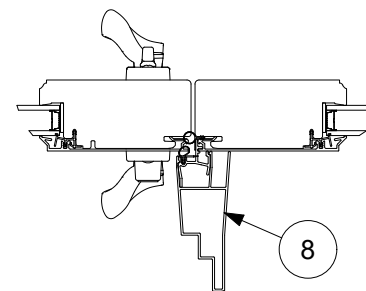
NOTE: All parts are used on 1 3/4 panel (4 9/16) doors and 2 1/4" panel (6 9/16) doors unless otherwise noted.



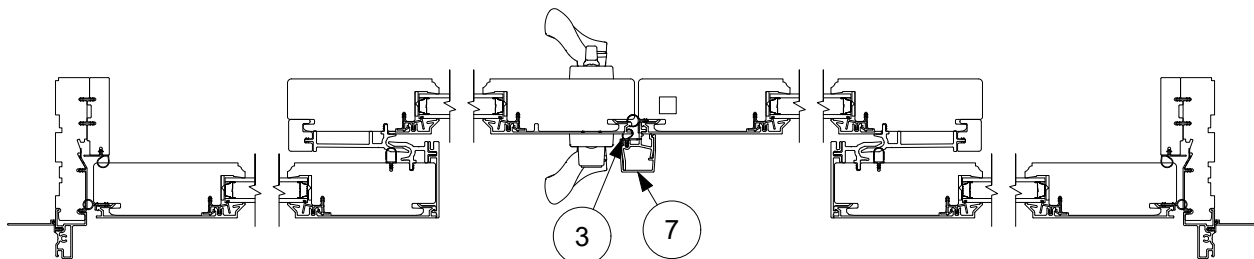
OOX - 4 9/16 Jamb - 1 3/4" Panel



OXO - 4 9/16" Jamb - 1 3/4" Panel



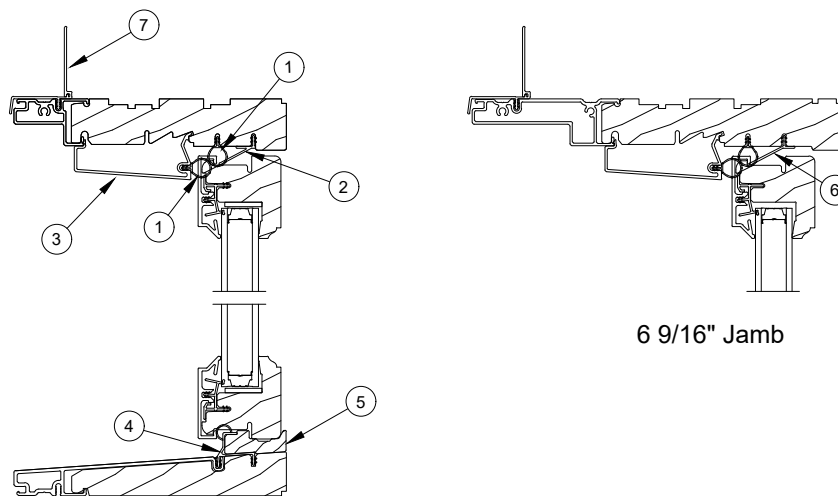
6 9/16" Jamb - 2 1/4" Panel



OXXO - LH - 4 9/16" Jamb - 1 3/4" Panel

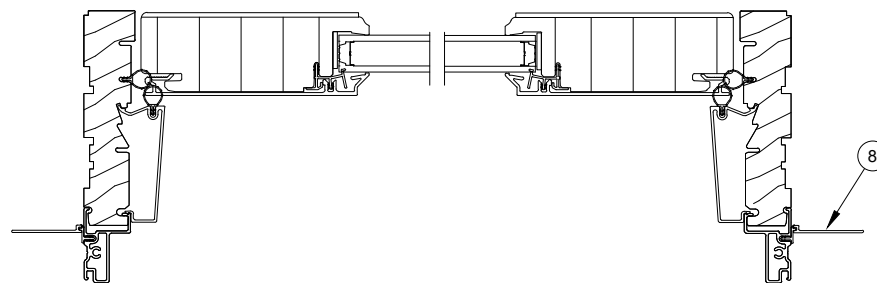
- | | |
|---|-------------------------------|
| 1. Mull Cover, OOX/XOO, W13985 | 5. Mull Base, A3633 |
| 2. Astragal Base, W13639 | 6. Screen Stop, 4 9/16, A3644 |
| 3. Weather Strip, Astragal Base, V3208 | 7. Astragal Cover, A3634 |
| 4. Weather Strip. Astragal Panel, V3173 | 8. Screen Stop, 6 9/16, A3645 |

NOTE: All parts are used on 1 3/4 panel (4 9/16) doors and 2 1/4" panel (6 9/16) doors unless otherwise noted.



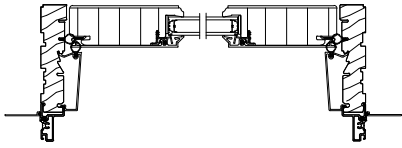
Head Jamb and Sill

6 9/16" Jamb

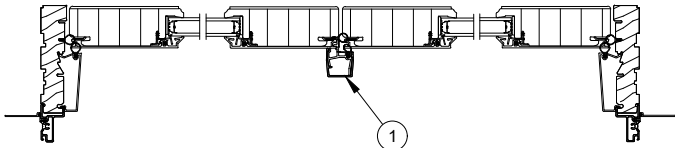


Jamb

- | | |
|--|---|
| 1. Frame/Parting Stop Weather Strip, V3200 | 5. Interior Sill Filler, 1 3/4", W13565 |
| 2. Sash Retainer, 4 9/16" Jamb, V3122 | 6. Sash Retainer, 6 9/16" Jamb, V3141 |
| 3. Jamb/Head Jamb Parting Stop, A3637 | 7. Head Jamb Nailing Fin, V119 |
| 4. Sill Weather Strip, Transom, V3121 | 8. Jamb Nailing Fin, V104 |

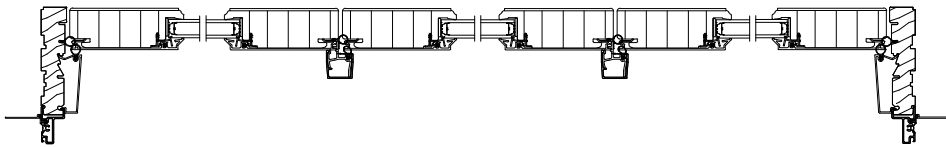


Single Panel Transom Jamb

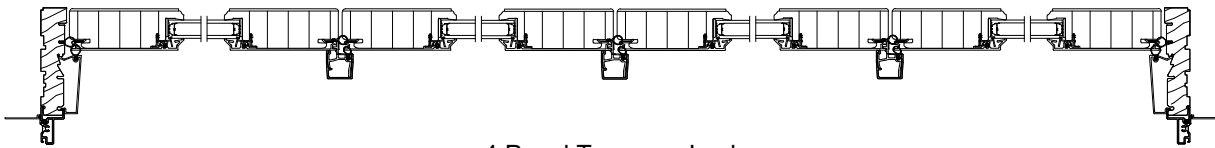


2 Panel Transom Jamb

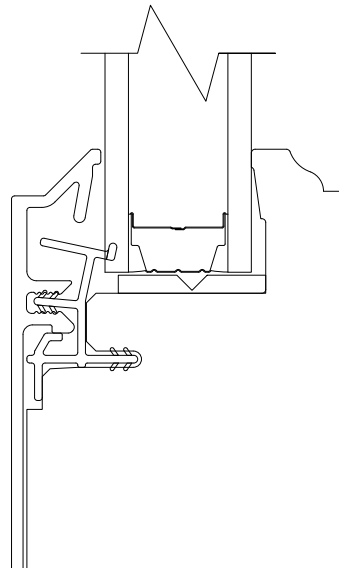
1. Astragal Cover, A3634



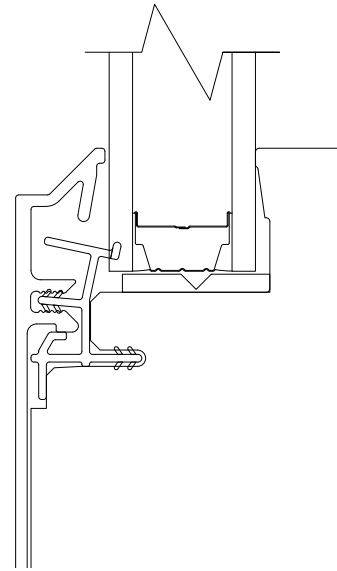
3 Panel Transom Jamb



4 Panel Transom Jamb



Standard
Ogee Interior
Putty Exterior



Option
Square Interior
Putty Exterior

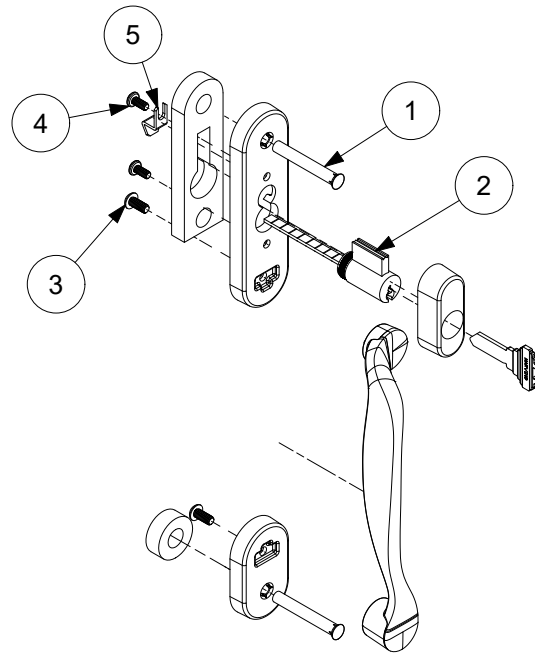
Harp Handle, Exterior, Keyed

Includes:

- 1 - Handle
- 1 - Top escutcheon with key cylinder and gasket
- 1 - Bottom escutcheon with gasket
- 2 - Binding posts (1)
- 1 - Keyed cylinder w/2 keys (2)
- 2 - Hex head screws (3)
- 2 - Button head screws (4)
- 1 - Key clip, Harp (5)
- 1 - Hex wrench

Door Configuration for PN Usage	LH PN	RH PN
	OX, OOX	XO, XOO
	OXO L OXXO L	OXO R OXXO R

Color	LH PN	RH PN
Oil Rubbed Bronze	11871690	11871689
Antique Brass	11871692	11871691
Polished Chrome	11871694	11871693
Satin Chrome	11871696	11871695
Brass PVD	11871698	11871697
Satin Nickel PVD	11871700	11871699
Oil Rubbed Bronze PVD	11871702	11871701
Satin Taupe	11871704	11871703
Dark Bronze	11871706	11871705
White	11871708	11871707
Matte Black	11871710	11871709



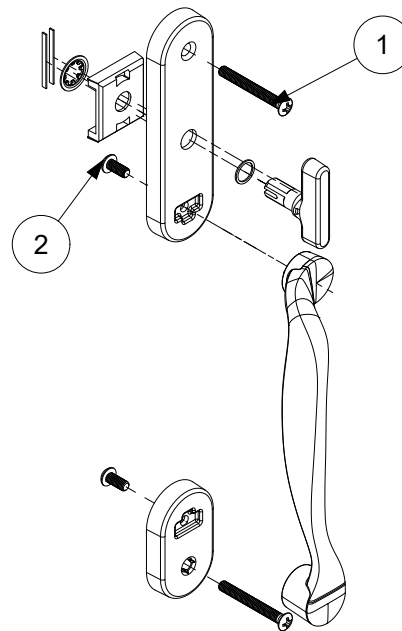
Harp Handle, Interior, Keyed

Includes:

- 1 - Handle
- 1 - Top escutcheon with thumb turn assembly
- 1 - Bottom escutcheon
- 2 - Phillips oval head screws (1)
- 2 - Hex head screws (2)
- 1 - Hex wrench
- 1 - Installation instruction

Door Configuration for PN Usage	LH PN	RH PN
	XO, XOO OXO R OXXO R	OX, OOX OXO L OXXO L

Color	LH PN	RH PN
Oil Rubbed Bronze	11871646	11871645
Antique Brass	11871648	11871647
Polished Chrome	11871650	11871649
Satin Chrome	11871652	11871651
Brass PVD	11871654	11871653
Satin Nickel PVD	11871656	11871655
Oil Rubbed Bronze PVD	11871658	11871657
Satin Taupe	11871660	11871659
Dark Bronze	11871662	11871661
White	11871664	11871663
Matte Black	11871666	11871665



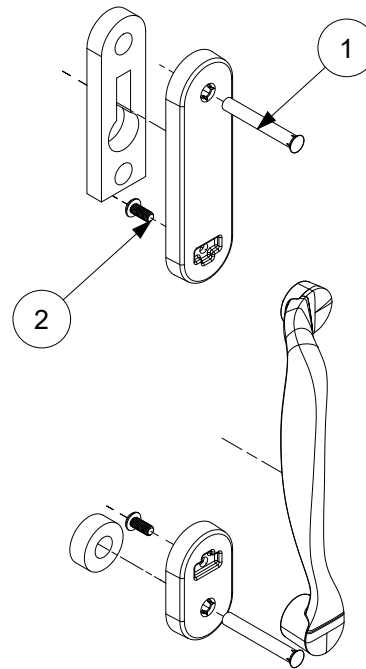
Harp Handle, Exterior, Non-Keyed/Dummy

Includes:

- 1 - Handle
- 1 - Top escutcheon with gasket
- 1 - Bottom escutcheon with gasket
- 2 - Binding posts (1)
- 2 - Hex head screws (2)
- 1 - Hex wrench

Door Configuration for PN Usage	LH PN	RH PN
	OX, OOX OXO L	XO, XOO OXO R
	OXXO L (Active LH) (Inactive RH)	OXXO R (Inactive LH) (Active RH)

Color	LH PN	RH PN
Oil Rubbed Bronze	11871668	11871667
Antique Brass	11871670	11871669
Polished Chrome	11871672	11871671
Satin Chrome	11871674	11871673
Brass PVD	11871676	11871675
Satin Nickel PVD	11871678	11871677
Oil Rubbed Bronze PVD	11871680	11871679
Satin Taupe	11871682	11871681
Dark Bronze	11871684	11871683
White	11871686	11871685
Matte Black	11871688	11871687



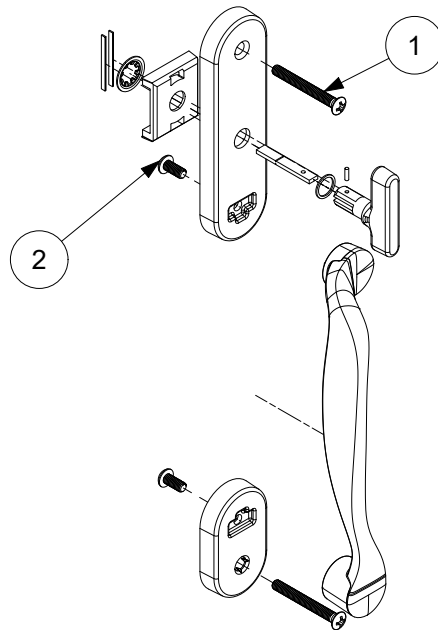
Harp Handle, Interior, Non-Keyed

Includes:

- 1 - Handle
- 1 - Top escutcheon with thumb turn assembly
- 1 - Bottom escutcheon
- 2 - Phillips oval head screws (1)
- 2 - Hex head screws (2)
- 1 - Hex wrench
- 1 - Installation instruction

Door Configuration for PN Usage	LH PN	RH PN
		XO, XOO OXO R OXXO R

Color	LH PN	RH PN
Oil Rubbed Bronze	11871602	11871601
Antique Brass	11871604	11871603
Polished Chrome	11871606	11871605
Satin Chrome	11871608	11871607
Brass PVD	11871610	11871609
Satin Nickel PVD	11871612	11871611
Oil Rubbed Bronze PVD	11871614	11871613
Satin Taupe	11871616	11871615
Dark Bronze	11871618	11871617
White	11871620	11871619
Matte Black	11871622	11871621



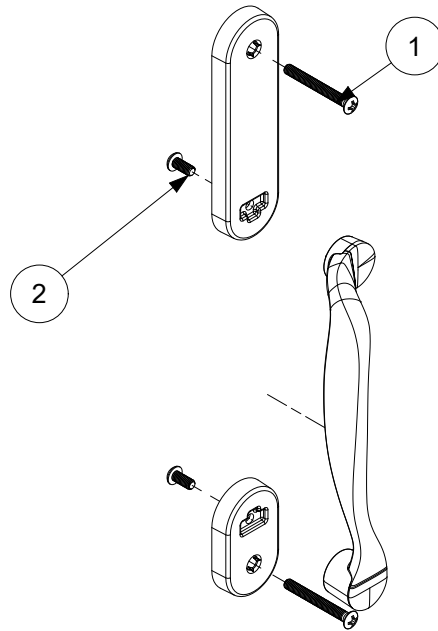
Harp Handle, Interior, Dummy

Includes:

- 1 - Handle
- 1 - Top escutcheon
- 1 - Bottom escutcheon
- 2 - Phillips oval head screw (1)
- 2 - Hex head screws (2)
- 1 - Hex wrench
- 1 - Installation instruction

Door Configuration for PN Usage	LH PN	RH PN
		OXXO L

Color	LH PN	RH PN
Oil Rubbed Bronze	11871624	11871623
Antique Brass	11871626	11871625
Polished Chrome	11871628	11871627
Satin Chrome	11871630	11871629
Brass PVD	11871632	11871631
Satin Nickel PVD	11871634	11871633
Oil Rubbed Bronze PVD	11871636	11871635
Satin Taupe	11871638	11871637
Dark Bronze	11871640	11871639
White	11871642	11871641
Matte Black	11871644	11871643

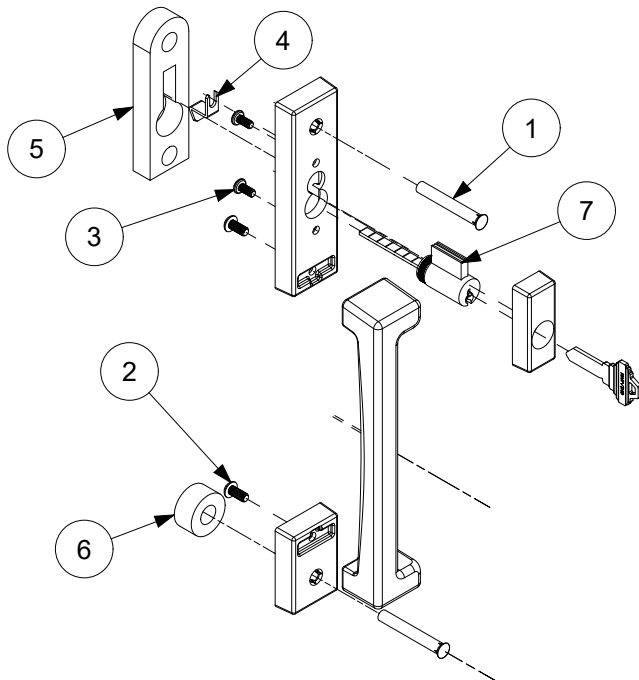


Vertical Handle, Exterior, Keyed

Includes:

- 1 - Handle
- 1 - Top escutcheon with keyed cylinder and gasket
- 1 - Bottom escutcheon with gasket
- 2 - Binding posts (1)
- 2 - Button head screws (2)
- 2 - Hex head screws (3)
- 1 - Key clip, vertical handle (4)
- 1 - Top foam gasket (5)
- 1 - Bottom foam gasket (6)
- 1 - Keyed cylinder with keys (7)
- 1 - Hex wrench

Color	PN
Matte Black	11871568
Dark Bronze	11871569
Oil Rubbed Bronze PVD	11871570
Satin Nickel PVD	11871571

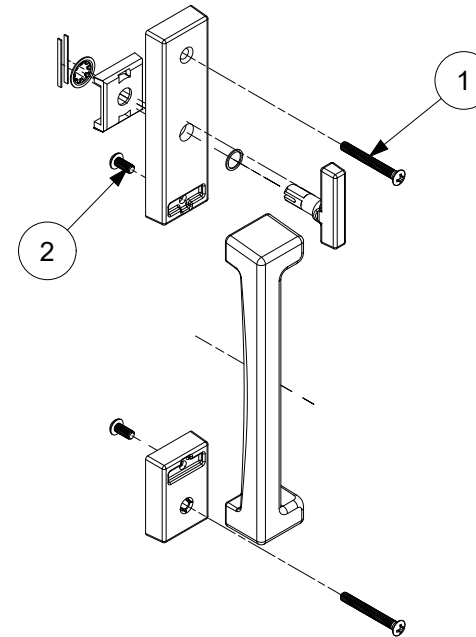


Vertical Handle, Interior, Keyed

Includes:

- 1 - Handle
- 1 - Top escutcheon with thumb turn assembly
- 1 - Bottom escutcheon
- 2 - Phillips oval head screws (1)
- 2 - Hex head screws (2)
- 1 - Hex wrench
- 1 - Installation instruction

Color	PN
Matte Black	11871572
Dark Bronze	11871573
Oil Rubbed Bronze PVD	11871574
Satin Nickel PVD	11871575

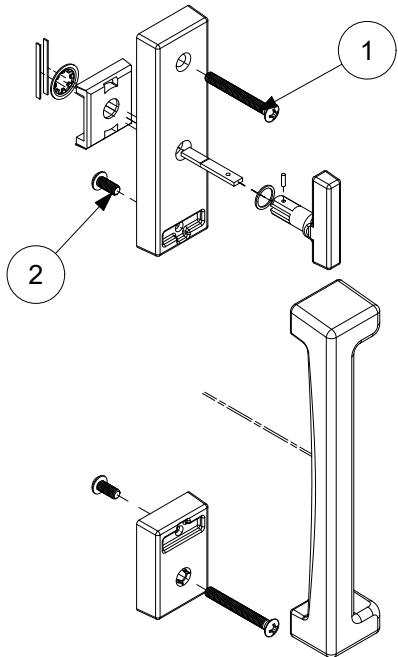


Vertical Handle, Interior, Non-Keyed

Includes:

- 1 - Handle
- 1 - Top escutcheon with thumb turn assembly
- 1 - Bottom escutcheon
- 2 - Phillips oval head screws (1)
- 2 - Hex head screws (2)
- 1 - Hex wrench
- 1 - Installation instruction

Color	PN
Matte Black	11871560
Dark Bronze	11871561
Oil Rubbed Bronze PVD	11871562 </td
Satin Nickel PVD	11871563

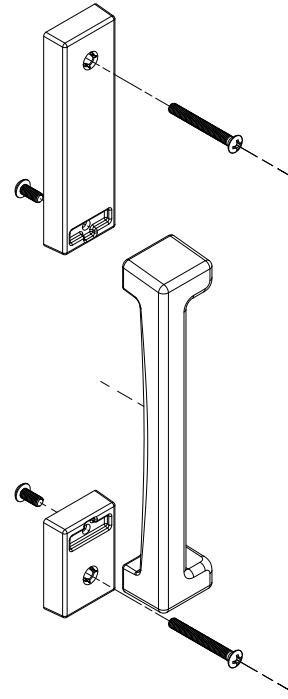


Vertical Handle, Interior, Dummy

Includes:

- 1 - Handle
- 1 - Top escutcheon
- 1 - Bottom escutcheon
- 2 - Phillips oval head screws (1)
- 2 - Hex head screws (2)
- 1 - Hex wrench
- 1 - Installation instruction

Color	PN
Matte Black	11871576
Dark Bronze	11871577
Oil Rubbed Bronze PVD	11871578
Satin Nickel PVD	11871579

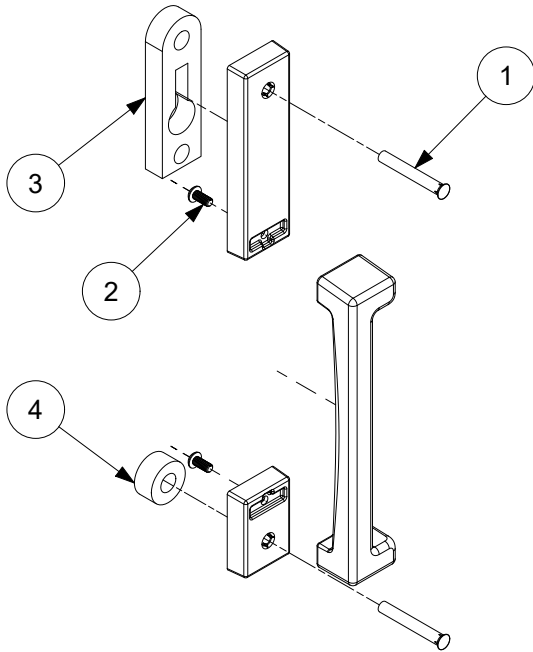


Vertical Handle, Exterior, Non-Keyed/Dummy

Includes:

- 1 - Handle
- 1 - Top escutcheon
- 1 - Bottom escutcheon
- 2 - Binding posts (1)
- 2 - Hex head screws (2)
- 1 - Top foam gasket (3)
- 1 - Bottom foam gasket (4)
- 1 - Hex wrench

Color	PN
Matte Black	11871564
Dark Bronze	11871565
Oil Rubbed Bronze PVD	11871566
Satin Nickel PVD	11871567



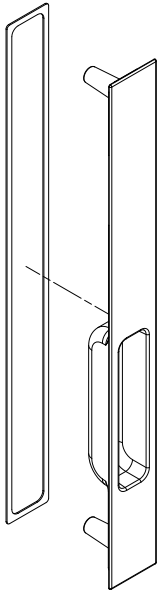
Flush Pull, Exterior

Includes:

- 1 - Handle
- 1 - Gasket

NOTE: Use with Interior Harp or Vertical Handle

Color	PN
Matte Black	11871580
Dark Bronze	11871581
Oil Rubbed Bronze PVD	11871582
Satin Nickel PVD	11871583



Keyed Cylinder

(Schalge "C" keyway)

For service replacement only.

Includes:

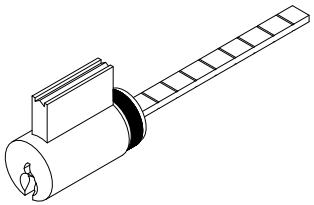
2 - Keys

NOTE: For Keyed Alike orders, use program C87P2

Polished Chrome, White, Satin Nickel PVD, Matte Black use Chrome Face

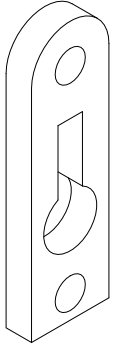
Satin Taupe, Antique Brass, Satin Chrome, Oil Rubbed Bronze, Oil Rubbed Bronze PVD, Brass PVD, Dark Bronze use Brass Face

Color	PN
Brass Face	10148223
Chrome Face	10833000



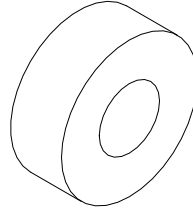
Top Foam Gasket, Harp Handle

PN
11869990



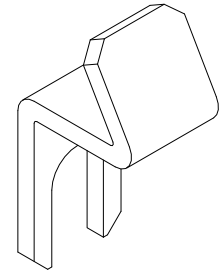
Bottom Foam Gasket, Harp Handle

PN
11869991



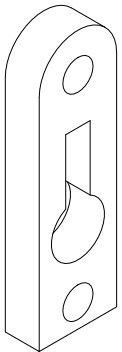
Key Clip, Harp Handle

PN
11871586



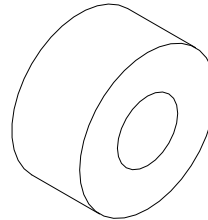
Top Foam Gasket, Vertical Handle

PN
11869992



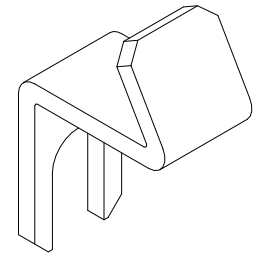
Bottom Foam Gasket, Vertical Handle

PN
11869993



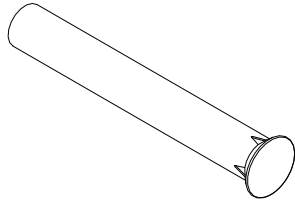
Key Clip, Vertical Handle

PN
11871587



Binding Post

Color	PN
Oil Rubbed Bronze	10830523
Antique Brass	10830524
Polished Chrome	10830525
Satin Chrome	10830526
Brass PVD	10830527
Satin Nickel PVD	10830528
Oil Rubbed Bronze PVD	10830529
Satin Taupe	10830530
Dark Bronze	10830531
White	10830532
Matte Black	10830533



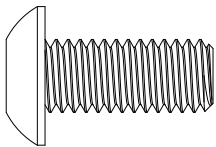
#10-32 x 1 3/4" Oval Head Screw

Color	PN
Oil Rubbed Bronze	11800582
Antique Brass	11800583
Polished Chrome	11800584
Satin Chrome	11800585
Brass PVD	11800586
Satin Nickel PVD	11800587
Oil Rubbed Bronze PVD	11800588
Satin Taupe	11800589
Dark Bronze	11800590
White	11800591
Matte Black	11800592



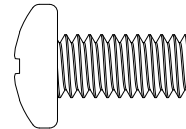
#10-32 x 7/16" Hex Head Screw

PN
11800708



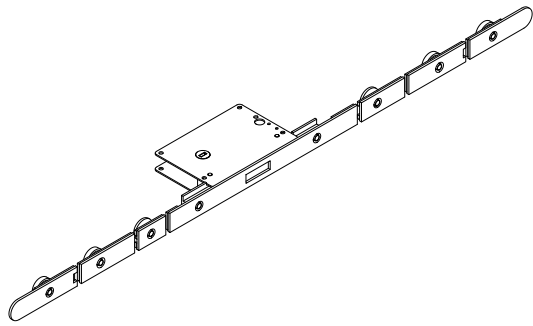
#8-32 x 1 1/32" Phillips Button Head Screw

PN
10501993



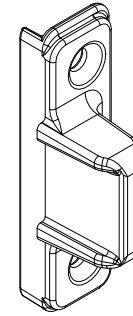
Lock Box, 2pt, Wide Stile

PN	Suggested Fasteners
05700105	5 - #8-18 x 1 1/4" Phillips flat head screw, Type A/B
PN	11808118



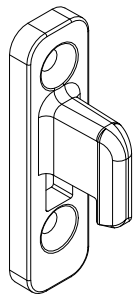
Frame Alignment Bolt

PN	Suggested Fasteners
10501932	2 - #8-15 x 3" Type A/TF, 2/3 thread screw
PN	11800918



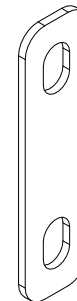
Keeper

PN	Suggested Fasteners
10501934	2 - #8-15 x 3" Type A/TF, 2/3 thread screw
PN	11800918



Keeper Shim

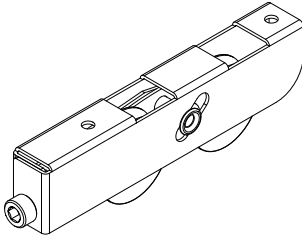
PN
10501937



Adjustable Roller

PN
10501990

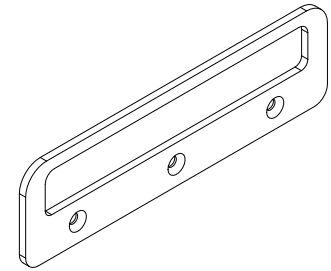
Suggested Fasteners	
5 - #8-18 x 1" Phillips pan head screw, Type A	
PN	11805185



Roller Reinforcement Plate

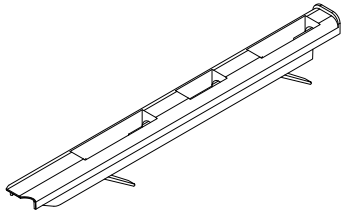
PN
10820005

Suggested Fasteners	
3 - #8-18 x 1 1/4" Type AB 2/3 thread screw	
PN	11808118



Roller Adjustment Guide

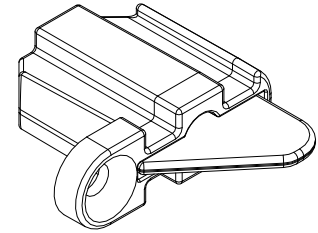
PN
11871600



Meeting Stile Guide Assembly

PN
11863269

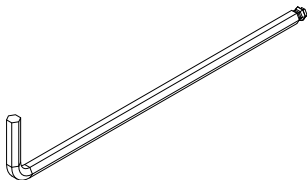
Suggested Fasteners	
1 - #8-18 x 5/8" Type A/AB, full thread screw	
PN	11806154



Hex Key/Allen Wrench 6 1/2"

NOTE: Used with the Roller Adjustment Guide

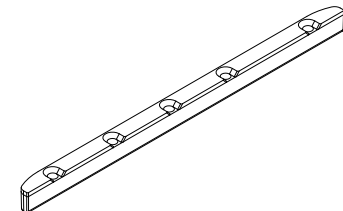
PN
10501939



Top Rail Guide Block

PN
11869673

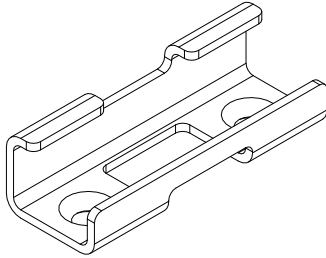
Suggested Fasteners	
5 - #7-16 x 2" Type A/TF, 2/3 thread screw	
PN	11800731



Sliding Stile End Plate, OXXO, 4 3/4"

PN
02101709

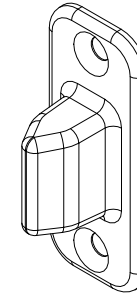
Suggested Fasteners	
1 - #8-18 x 1 1/4" Phillips flat head screw, Type A/B	
PN	11808118



Panel Alignment Bolt

Color	PN
Black	11102456

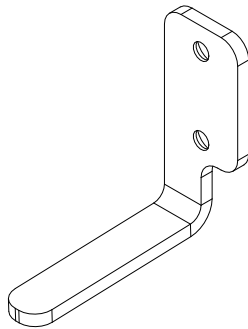
Suggested Fasteners	
2 - #8-18 x 1 1/2", Type A/AB, full thread screw	
PN	11865178



Panel to Sill Bracket

LH PN	RH PN
11841025	11841024

Suggested Fasteners	
5 - #8-18 x 1/2" Torx, full thread, pan head screw	
Color	PN
Ebony	11800224

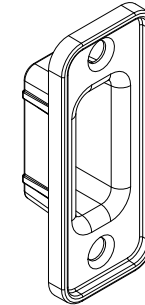


LH shown

Panel Alignment Receiver

Color	PN
Black	11869887

Suggested Fasteners	
2 - #8 x 1 1/2" Type A/AB full thread screw	
Color	PN
Matte Black	11865178

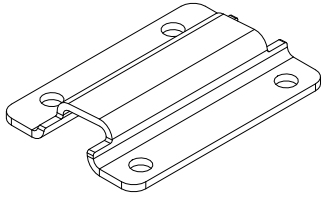


Sill Bracket, Stationary

Used on 1 3/4" panels

PN
11841023

Suggested Fasteners	
2 - #8-15 x 3" Type A/TF, Phillips, 2/3 thread screw	
Color	PN
Stainless Steel	11800903

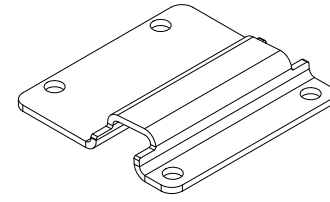


Sill Bracket, Stationary

Used on 2 1/4" panels

PN
11841022

Suggested Fasteners	
2 - #8-15 x 3" Type A/TF, Phillips, 2/3 thread screw	
Color	PN
Stainless Steel	11800903

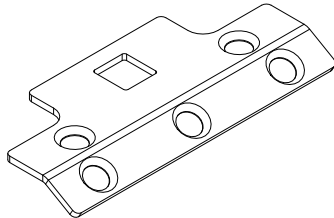


Header Bracket, Stationary

Used on 1 3/4" panels

PN
11841129

Suggested Fasteners	
3 - #10-16 x 7/8" full thread undercut screw	
Color	PN
Stainless Steel	11800284

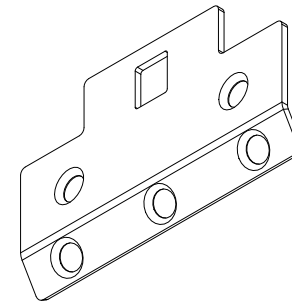


Header Bracket, Stationary

Used on 2 1/4" panels

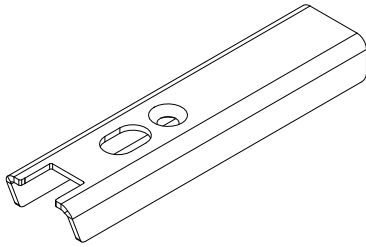
PN
11841128

Suggested Fasteners	
3 - #10-16 x 7/8" full thread undercut screw	
Color	PN
Stainless Steel	11800284



Stationary Bracket Reinforcement, 4 3/4"

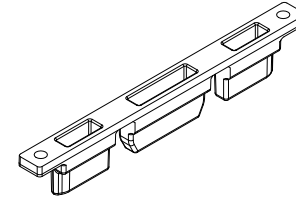
PN
10502071



Sill Reinforcement, OXXO

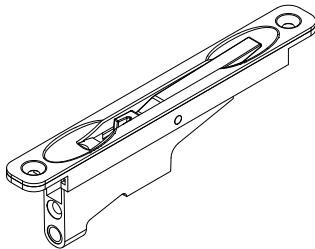
Color	PN
Black	10899025

Suggested Fasteners	
1 - #8-15 x 3" Type A/TF, Phillips, 2/3 thread screw	
Color	PN
Matte Black	11800918



Head or Foot Flush Bolt Assembly, Inactive Panel

Color	PN
Black	11101780

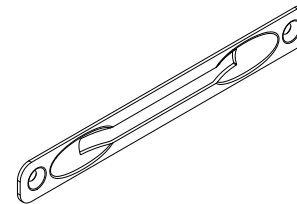


Cover Plate for Flush Bolt

Includes:

- 1 - Cover plate
- 2 - #8 x 1" screws

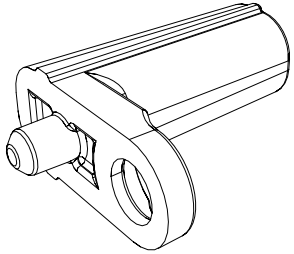
PN
11860402



Flush Bolt Adapter

Color	PN
Black	10840269

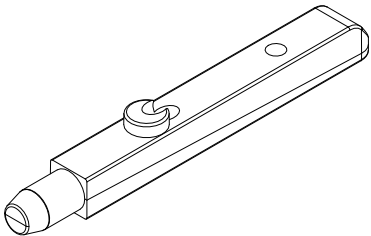
Suggested Fasteners	
1 - #8-15 x 3" Type A/TF, Phillips, 2/3 thread screw	
Color	PN
Matte Black	11800918



Stationary Bolt, Stile

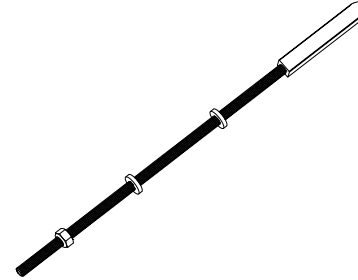
Color	PN
Black	10899024

Suggested Fasteners	
1 - #8-15 x 3" Type A/TF, Phillips, 2/3 thread screw	
Color	PN
Matte Black	11800918



Shoot Bolt Assembly

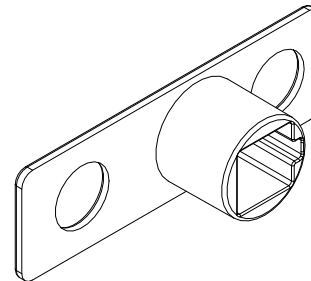
PN
11101740



Shoot Bolt Guide

PN
11869674

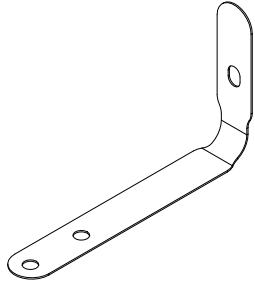
Suggested Fasteners	
3 - #10-16 x 7/8" full thread undercut screw	
Color	PN
Stainless Steel	11800284



Stationary Panel Strap, OOX/XOO

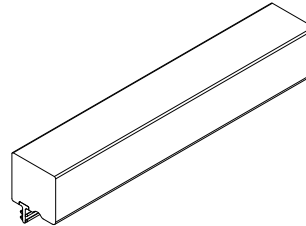
Color	PN
Black	11844040

Suggested Fasteners	
1 - #8-15 x 3", Type A/T 2/3 thread screw	
Color	PN
Stainless Steel	11800903



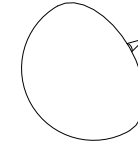
Sill Bumper

PN
16221109



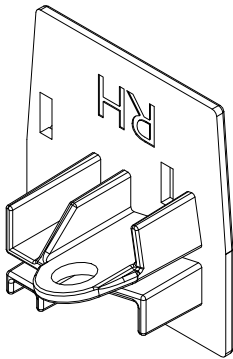
Thumb Tack Bumper

PN
02101006



Astragal End Cap

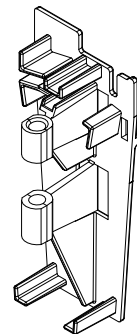
Color	LH PN	RH PN
Black	11869941	11869940



RH shown

Astragal End Cap, IZ3

Color	LH PN	RH PN
Black	10840271	10840270

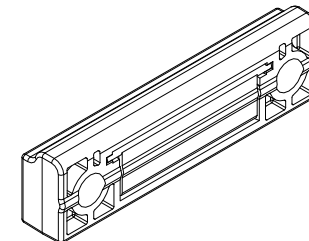


RH shown

Sill Drain Assembly

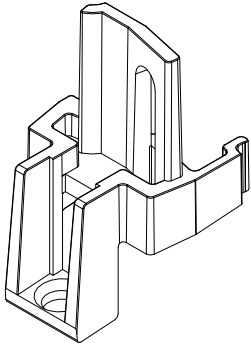
Color	PN
Ebony	10840264

Suggested Fasteners	
2 - #8-18 x 1/2" Torx, full thread, pan head screw	
Color	PN
Ebony	11800224



Mull Post, Sill Reinforcement

LH PN	RH PN
10899019	10899020



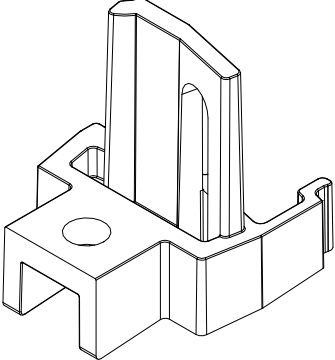
LH shown

Suggested Fasteners	
1 - #8 x 1 1/4" Type A, Phillips pan head screw	
Color	PN
Stainless Steel	11800806

Suggested Fasteners	
1 - #8-16 x 3/8" Type AB, Phillips pan head screw (into sill)	
Color	PN
Stainless Steel	11800222

Mull Post, Header Reinforcement

LH PN	RH PN
10899021	10899022



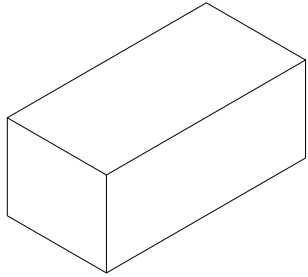
RH shown

Suggested Fasteners	
1 - #8 x 1 1/4" Type A, Phillips pan head screw	
Color	PN
Stainless Steel	11800806

Suggested Fasteners	
1 - #8-18 x 1 7/8" Type AB, Phillips pan head screw (into header)	
Color	PN
Stainless Steel	02058017

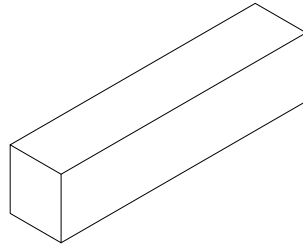
Pad, Head Jamb Parting Stop

Color	PN
Black	11102149



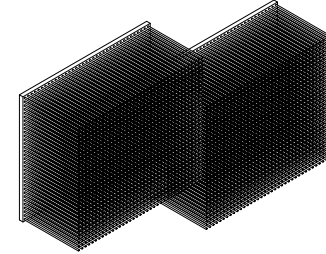
Lower Jamb Pad

PN
10501024



Sill Fuzzy

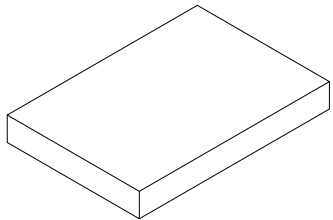
LH PN	RH PN
10501146	10501145



RH shown

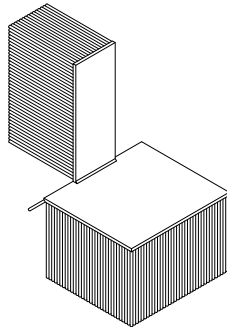
Gasket, Sill to Jamb Stop

PN
11866265



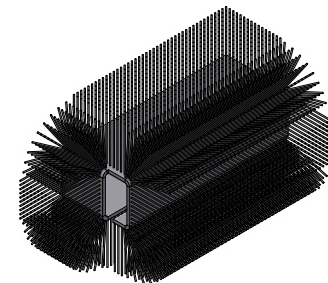
Dust Block, Astragal End

PN
10500573



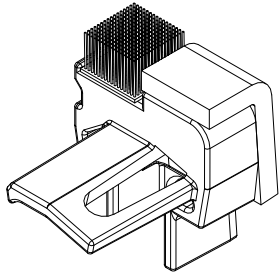
Parting Stop Fuzzy

PN
10501147



Mull Post Accessibility, Sill Reinforcement

LH PN	RH PN
11869939	11869938



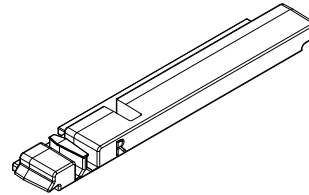
LH shown

Suggested Fasteners	
1 - #8 x 1 1/4" Type A, Phillips pan head screw	
Color	PN
Stainless Steel	11800806

Suggested Fasteners	
1 - #8-16 x 3/8" TRHF, Phillips, flat head screw (into sill)	
Color	PN
Stainless Steel	11800222

Stile End Plug, 4 3/4", Accessibility Sill

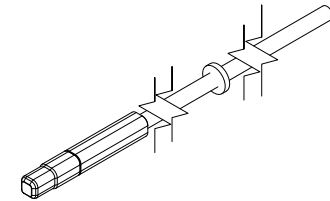
LH PN	RH PN
11869946	11869947



RH shown

Shoot Bolt Sub Assembly, Accessibility Sill

Description	Length	PN
Flush Bolt	8 25/32" (223)	10501948
Bottom Multi-Point	33 13/32" (849)	10501995

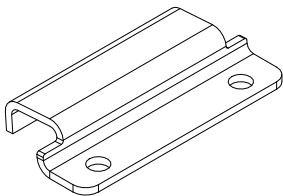


Sill Bracket, Exterior Panel, Accessibility Sill

Used on 1 3/4" panels only

PN
11100216

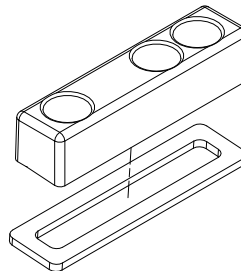
Suggested Fasteners	
2 - #8-18 x 1/2" Torx, full thread, pan head screw	
Color	PN
Ebony	11800224



Interlock Sill Bump, Accessibility Sill

PN
11869698

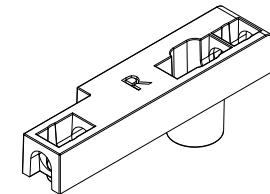
Suggested Fasteners	
3 - #8-18 x 1/2" Torx, full thread, pan head screw	
Color	PN
Ebony	11800224



Shoot Bolt Guide, OXXO, Accessibility Sill

Color	LH PN	RH PN
Black	10501998	10501997

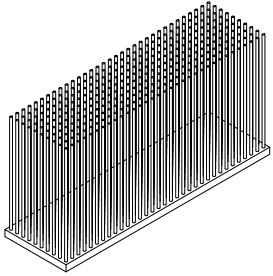
Suggested Fasteners	
2 - #8-18 x 1 1/4" , Type AB, Phillips, flat head screw	
Color	PN
Stainless Steel	11808118



RH shown

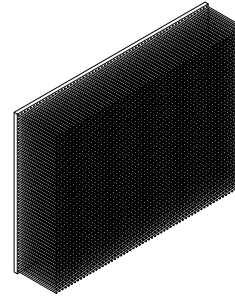
Sill Key Fuzzy, Accessibility Sill

PN
10501143



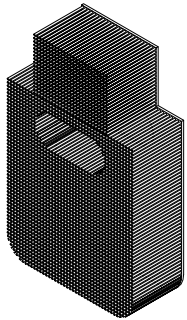
Sill Fuzzy, Accessibility Sill

PN
10501141



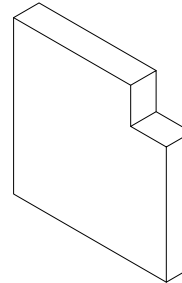
Dust Block, OXXO, Accessibility Sill

PN
10500398



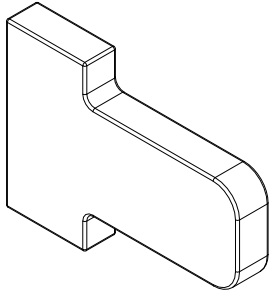
Sill Gasket, Accessibility Sill

PN
05700009



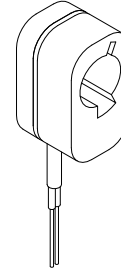
Tailpiece, Non-keyed, Button Switch

Color	PN
Stainless Steel	10501844



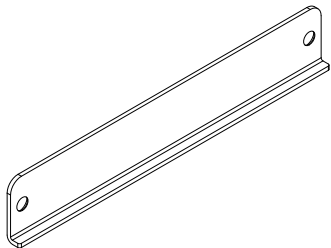
Micro Switch Assembly

Color	PN
Black	10501844



Cover, Transmitter

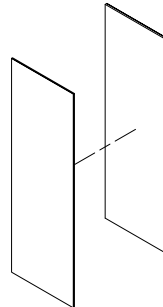
Color	PN
Brushed Stainless Steel	10501821



Thin Loop and Hook

Used with Transmitter Cover

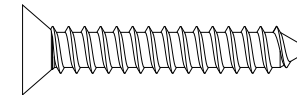
PN
10501851



#8-18 x 1" Type AB, Full Thread

Used with Transmitter Cover
Need quantity of 2 for each part

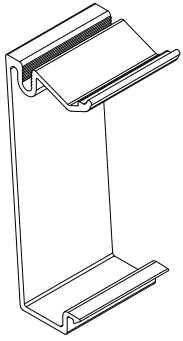
PN
11800769



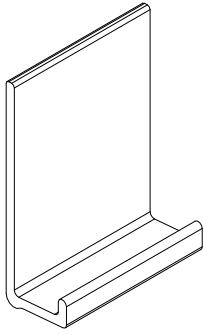
Aluminum Parts

Ordering specifications (use all that apply):

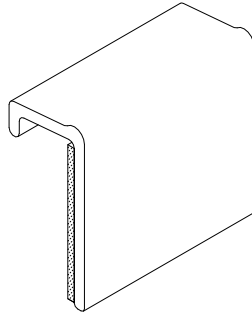
1. Original order number/line number (if available)
2. Call number or rough opening
3. Profile
4. Length
5. Handing
6. Color/finish



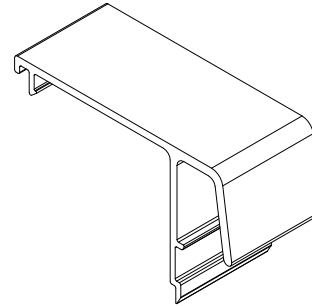
A3637
Jamb/Head Jamb
Parting Stop



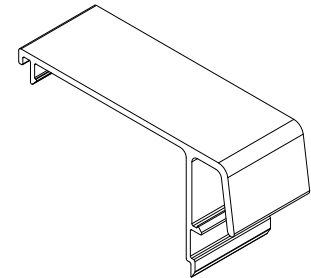
A3727
Sill Liner



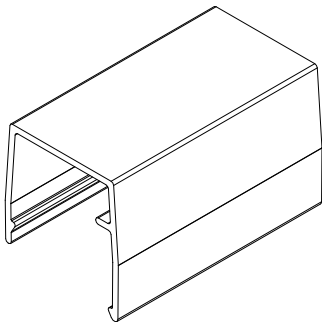
A03955
Sill Liner, Accessibility Sill



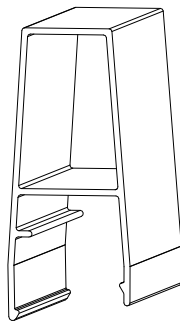
A3553
Stationary Stile Edge Cover,
1 3/4 Panels



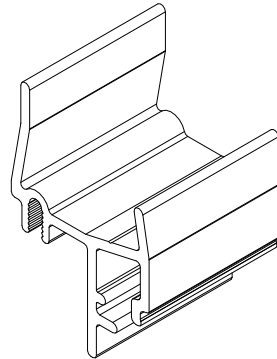
A3554
Stationary Stile Edge Cover,
2 1/4 Panels



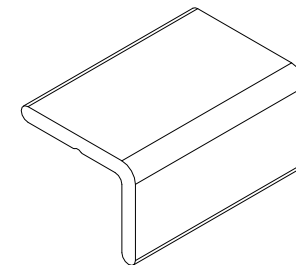
A3634
Astragal Cover



A3635
Mull Post



A3633
Mull Base



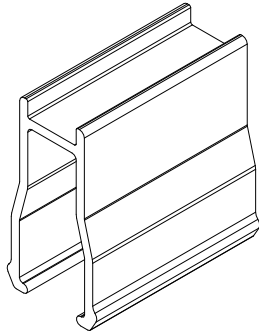
A03858
Header Track

Stationary Block, Interior Sill

A3757

Length	Panel Width	PN
5 1/2" (140)	Under 18 1/2"	18903807
9" (230)	18 1/2" and larger	18903806

Suggested Fasteners	
3-6 - #8-18 x 1/2" Torx, full thread, pan head screw	
Color	PN
Ebony	11800224

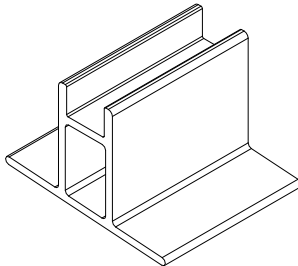


Stationary Block, Exterior Sill

A3638

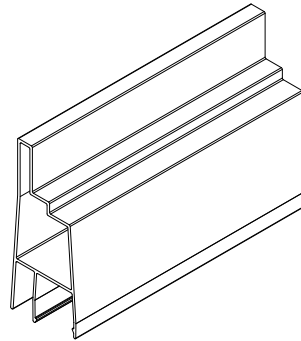
Length	Panel Width	PN
5" (127)	Under 18 1/2"	18903809
9" (230)	18 1/2" and larger	18903808

Suggested Fasteners	
5 - #8-18 x 1/2" Torx, full thread, pan head screw	
Color	PN
Ebony	11800224

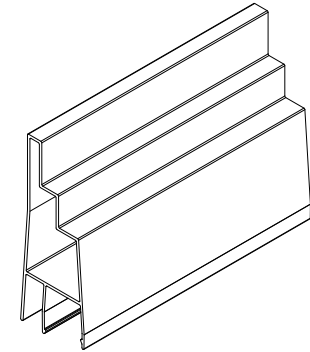


Ordering specifications (use all that apply):

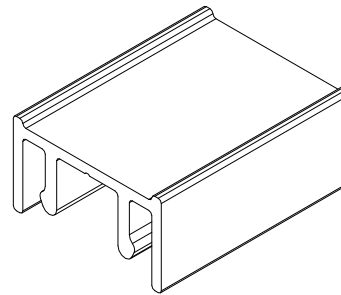
1. Profile number;
2. call number or rough opening;
3. handing;
4. length;
5. finish.



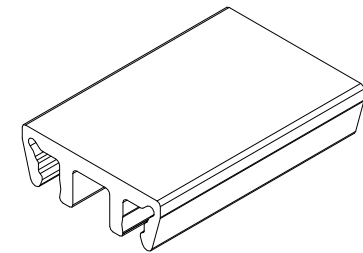
A3644
Screen Mull Casing 4 9/16"



A3645
Screen Mull Casing 6 9/16"



A3646, Mull Casing Screen Extension
NOTE: Used on 6 9/16" Jambs



A3490, Mull Cap, Mull Casing Screen Extension
NOTE: Used on 6 9/16" Jambs

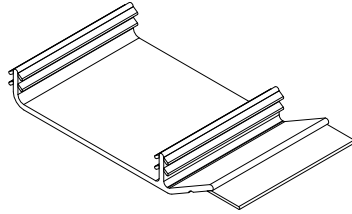
Suggested Fasteners	Quantity	PN
#8-18 x 7/16" TEK 2, Phillips pan head screw	Bag of 10	11800178

Exterior Vinyl Frame Cover

V3224

Header		
CN	Length	PN
2-6/2-6R	27 45/64" (704)	16224242
3-0/3-0R	33 45/64" (856)	16224243
4-0/4-0R	45 45/64" (1161)	16224244

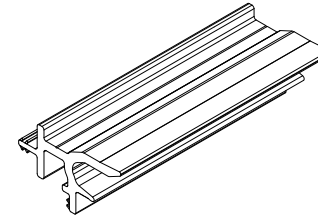
Jamb		
CN	Length	PN
6-6R	79 31/32" (2031)	16224231
6-8	79 15/32" (2019)	16224232
7-0	83 15/32" (2120)	16224233
8-0	95 15/32" (2425)	16224234
10-0	119 15/32" (3035)	16224236



Interlock

V3086

CN	Length	PN
6-6R	75 3/8" (1915)	16222767
6-8	79 7/8" (2029)	16222768
7-0	83 7/8" (2131)	16222770
8-0	95 7/8" (2435)	16222780
10-0	119 7/8" (3045)	16222710

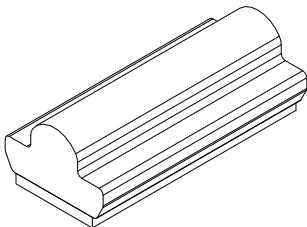


Roller Track Assembly

V03251

NOTE: Roller track includes tape.

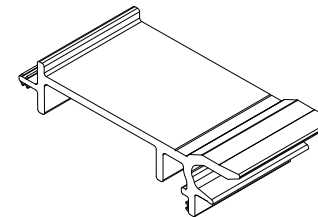
CN	Length	Operation	PN
2-6	53 1/2" (1359)	OX/XO/OXO	15901726
3-0	65 1/2" (1664)	OX/XO/OXO	15901730
30-R	63 7/8" (1622)	OXXO	15901731
4-0	89 1/2" (2273)	OX/XO/OXO	15901740
4-0R	87 7/8" (2232)	OXXO	15901741
5-0	115 7/16" (2932)	OOX/XOO	15901750



Interlock, Operator Stile, 4 3/4"

V03255

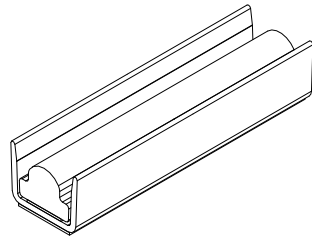
CN	Length	PN
6-6R	75 3/8" (1915)	16223267
6-8	79 7/8" (2029)	16223268
7-0	83 7/8" (2131)	16223270
8-0	95 7/8" (2435)	16223280
10-0	119 7/8" (3045)	16223210



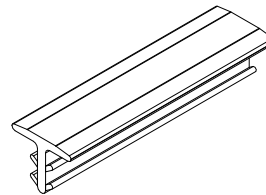
Vinyl Parts

Ordering specifications (use all that apply):

1. Original order number/line number (if available)
2. Call number or rough opening
3. Profile
4. Length
5. Handing
6. Color/finish



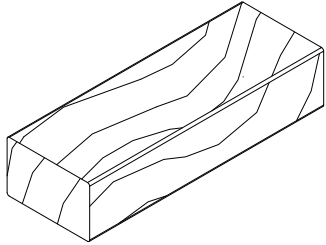
**Reinforced Roller Track
Assembly**



**V03427
Kerf Filler, Accessibility Sill**

Bumper, Header

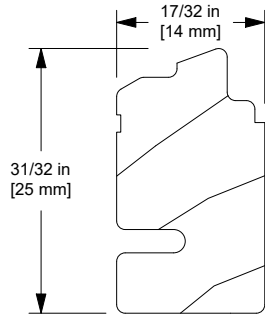
PN
32967098



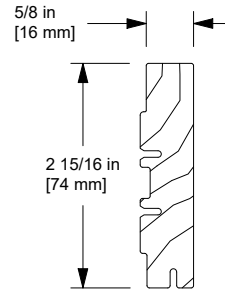
Ordering specifications (use all that apply):

1. Profile number;
2. call number or rough opening;
3. handing;
4. length;
5. finish.

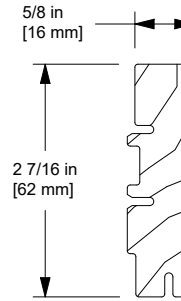
NOTE: Replacement wood parts are supplied with connecting barb (where applicable).



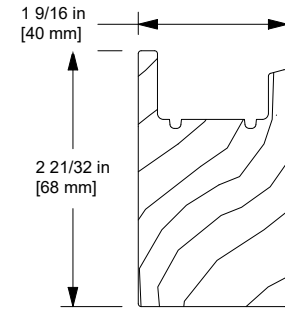
W13542
Parting Stop,
Header



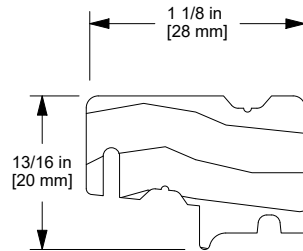
W13543
Parting Stop,
Jamb - 6 9/16"



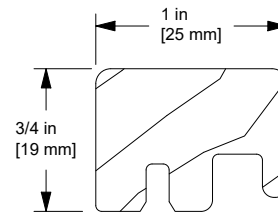
W13541
Parting Stop,
Jamb - 4 9/16"



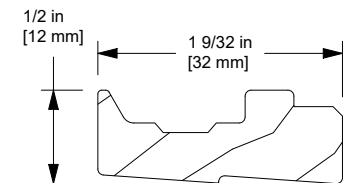
W13985
Mull Cover, OOX/XOO



W13639
Astragal Base



W13393
Meeting Stile Filler,
Interior

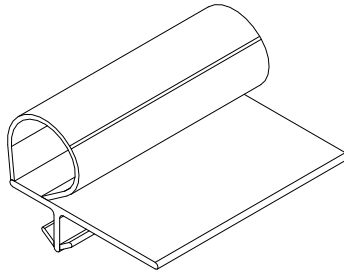


W13565
Interior Sill Filler, 1 3/4"
NOTE: Used on Transom

Parting Stop Weather Strip

V3117

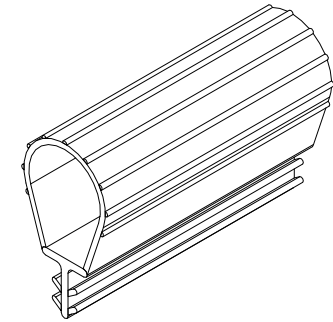
CN	Length	PN
2-6	28 13/16" (732)	16223426
3-0	34 13/16" (884)	16223430
4-0	46 13/16" (1189)	16223440
2-6R	28 1/16" (711)	16223427
3-0R	34 1/16" (864)	16223431
12-0	49 39/64" (1260)	16223412
Lineal	168" (4267)	16221499



Frame Weather Strip

V3200

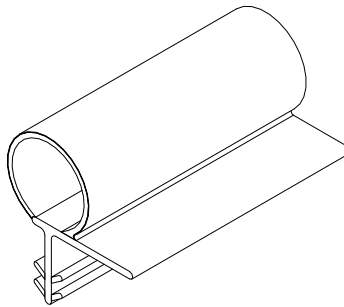
Color	Length	PN
Black	Specify length (LF)	16220010



Astragal Panel Weather Strip

V3173

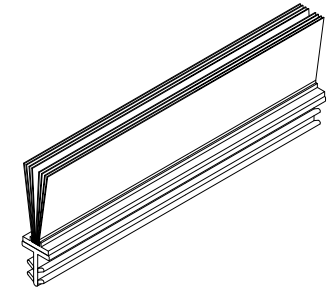
CN	Length	PN
6-8	79 5/64" (2009)	16220968
7-0	83 5/64" (2110)	16220970
8-0	95 5/64" (2415)	16220980
10-0	119 5/16" (3025)	16220910



Weather Strip, 1/2" Pile

V2493

Length	Color	PN
6" (152)	Black	11209997

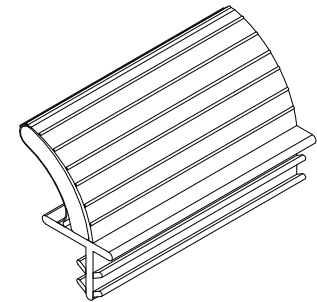


Weather Strip, Foam Leaf

V1194

Used on Clad Head Jamb Parting Stop

Length	Color	PN
Specify Length (LF)	Black	17003596

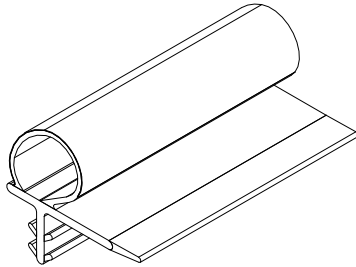


Astragal Base Weather Strip

V3208

NOTE: Part numbers shown below are for an OXO operation. OOX and OXXO usage will use the same part numbers, trimming in the field will be needed.

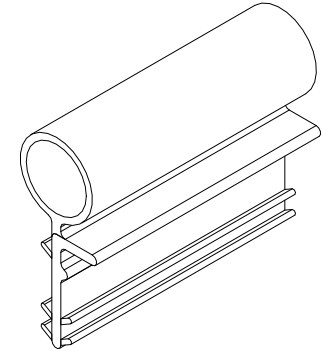
CN	Length	PN
6-6R	75 27/32" (1926)	16224066
6-8	78 11/32" (1990)	16224068
7-0	82 11/32" (2066)	16224070
8-0	94 11/32" (2396)	16224080
9-0	106 11/32" (2701)	16224090
10-0	118 11/32" (3006)	16224010



Stile Weather Strip

V3243

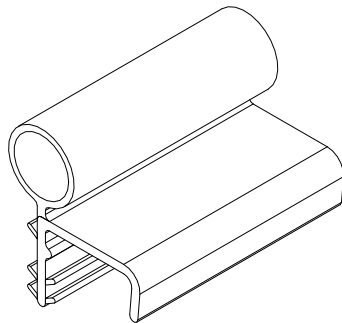
CN	Length	PN
6-8	79 47/64" (2025)	16224668
8-0	95 47/64" (2432)	16224680
10-0	120 7/64" (3051)	16224696



Top Rail Weather Strip

V3241

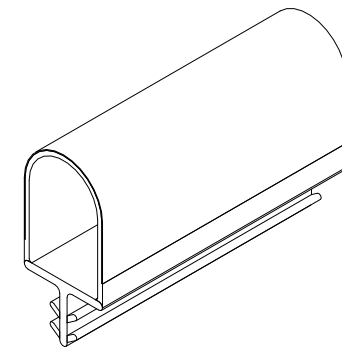
CN	Length	PN
2-6	32 5/32" (817)	16224526
3-0	38 5/32" (969)	16224530
4-0	50 5/32" (1274)	16224540
3-0R	37 11/32" (949)	16224532
4-0R	49 11/32" (12530)	16224542



Interlock Weather Strip, Stationary Stile

V03419

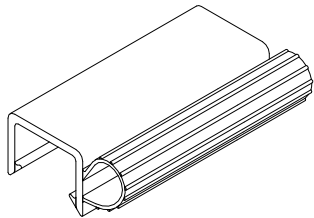
CN	Length	PN
6-6R	75 3/8" (1915)	16224866
6-8	77 7/8" (1978)	16224868
7-0	81 7/8" (2080)	16224870
8-0	93 7/8" (2385)	16224880
10-0	117 7/8" (2994)	16224810



Sill Weather Strip

V03276

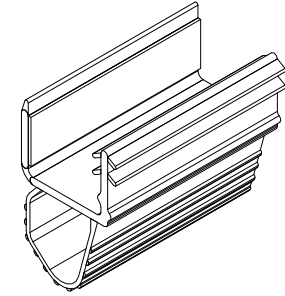
CN	Length	Operation	PN
3-0	36 19/64" (922)	OX/OXXO Stat OXO Ext Stat	16221536
4-0	48 19/64" (1227)	OX/OXXO Stat OXO Ext Stat	16221548
3-0	24 19/64" (617)	OX/OOX Act	16221534
4-0	46 19/64" (1176)	OX/OOX Act	16221546
3-0	68 5/16" (1735)	OXXO Act	16221568
Lineal	122" (3099)	--	16221522



Bottom Rail Weather Strip, Interior Panel, Accessibility Sill

V03406

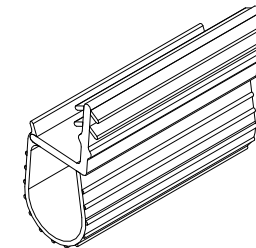
CN	Length	PN
3-0	36 9/16" (929)	16225530
5-0	61 9/32" (1557)	16225450



Bottom Rail Weather Strip, Exterior Panel, Accessibility Sill

V03405

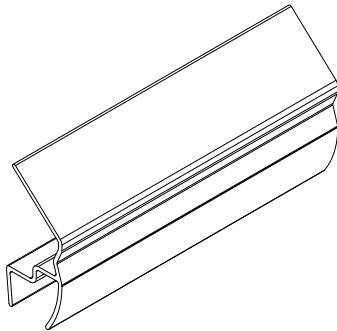
Length	PN
37 31/64" (952)	16229530
61 31/64" (1562)	16229550



Weather Strip Pull Back Jig

NOTE: Used to insert sill weather strip.

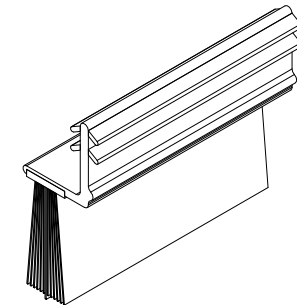
CN	Length	PN
NA	8" (203)	16220827
3-0	34" (864)	16220831
5-0	58" (1473)	16220850



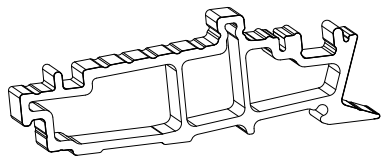
Bottom Rail Pile Weather Strip Accessibility Sill

V03381

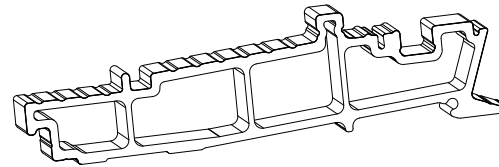
CN	Length	PN
5-0	61 5/16" (1558)	16224750



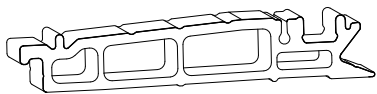
Refer to Configured Parts in OMS for sill replacement.



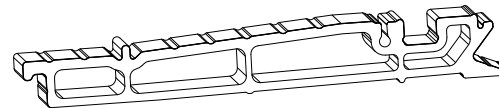
Performance Sill - 4 9/16"
F2055



Performance Sill - 6 9/16"
F2056



Accessibility Sill - 4 9/16"
F2057



Accessibility Sill - 6 9/16"
F2058

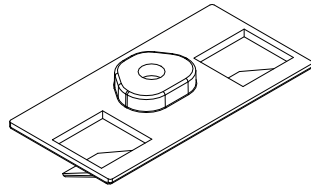
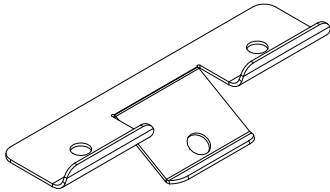
Refer to Configured Parts in OMS for panel replacement.

Refer to Configured Parts in OMS for full screen replacement.
Individual screen replacement parts are available in the Ultimate Screens G2 (Door Screens) section.

Replacement Panel Bracket Kits, Outswing

NOTE: Used on panels sitting to the exterior.

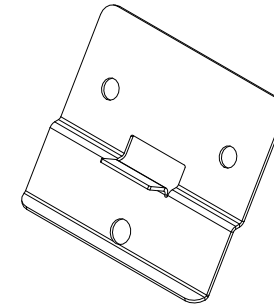
Description	Description	PN
5 Piece Kit	5 - Field service brackets, Outswing 10 - #8-18x1 1/2" Type A/AB, full thread screw 5 - #10-12 x 3", 2/3 thread screw 2 - Stationary panel alignment part 2 - #8-18x1" Type AB, full thread screw 1 - UOFD UIFD Stationary Panel Service Instruction	11102263
7 Piece Kit	7 - Field service brackets, Outswing 14 - #8-18x1 1/2" Type A/AB, full thread screw 7 - #10-12 x 3", 2/3 thread screw 2 - Stationary panel alignment part 2 - #8-18x1" Type AB, full thread screw 1 - UOFD UIFD Stationary Panel Service Instruction	11102264



Replacement Panel Bracket Kits, Inswing

NOTE: Used on panels sitting to the interior.

Description	Description	PN
5 Piece Kit	5 - Field service brackets, Inswing 10 - #8-18x1 1/2" Type A/AB, full thread screw 5 - #10-12 x 3", 2/3 thread screw 1 - UOFD UIFD Stationary Panel Service Instruction	11102261
7 Piece Kit	7 - Field service brackets, Inswing 14 - #8-18x1 1/2" Type A/AB, full thread screw 7 - #10-12 x 3", 2/3 thread screw 1 - UOFD UIFD Stationary Panel Service Instruction	11102262



Drill Jig, Interior Panel, Service Bracket

PN
11101738

