

# Ultimate Inswing Door & Inswing French Door G2 KD

## Installation Instruction

---

**ABSTRACT:** This instruction will show how to install a KD \*(knock down) Inswing Door. This is relevant for product produced from June 2021 to present and applies to the following products:

- Ultimate Inswing French Door G2 (UIFD G2)
- Ultimate Inswing French Door 2 1/4" G2 (UIFD2.25 G2)
- Ultimate Inswing Door G2 2.25 IZ3 (UID2.25 IZ3)
- Ultimate Inswing French Door G2 2.25 IZ3 (UIFD2.25 IZ3)
- Ultimate Inswing Door 2.25 (UID2.25)

### **WARNING!**

**Do NOT lift or move without proper equipment.**  
**Read, understand, and follow all lift equipment manufacturers' instructions and safety information.**

---

### **WARNING!**

Drilling, sawing, sanding or machining wood products can expose you to wood dust, a substance known to the State of California to cause cancer. Avoid inhaling wood dust or use a dust mask or other safeguards for personal protection. For more information go to [www.P65Warnings.ca.gov/wood](http://www.P65Warnings.ca.gov/wood).

---

### **WARNING!**

This product can expose you to chemicals including titanium oxide, which is known to the state of California to cause cancer. For more information, go to [www.P65Warnings.ca.gov](http://www.P65Warnings.ca.gov).

---

### **WARNING!**

This product can expose you to chemicals including methanol, which is known to the state of California to cause birth defects or other reproductive harm. For more information, go to [www.P65Warnings.ca.gov](http://www.P65Warnings.ca.gov).

---

### **WARNING!**

Older homes may contain lead-based paint, which may be disturbed when replacing windows or performing renovations. Consult state or local authorities for safe handling, disposal, or abatement requirements. For more information, go to [www.epa.gov/lead](http://www.epa.gov/lead).

---

*NOTE: Please consult with local waste management authorities regarding proper disposal and/or recycling of all waste materials generated during installation, including any product being replaced, packaging materials, and other waste.*

# Table of Contents

---

Sill to Jamb Assembly .....	3
Head Jamb to Jamb Assembly .....	5
Injecting the Unit .....	6
Sill Weather Strip on KD or Panels Shipped Separate .....	7
Panel Installation- Installing Stationary Panel .....	8
Panel Installation-Installing Operating Panel (Jamb Hinged).....	13
Panel Installation-Installing Operating Panel (Panel Hinged) .....	15

## Sill to Jamb Assembly

1. Align jamb sub assembly into sill key until fully seated. Once seated, use #8 x 1-1/2" pan head screw through the sill key into the jamb cladding. Use two #8 x 3" pan head screws to screw through the sill key into jamb wood. See Figure 1 (performance sill) and Figure 2 (accessibility sill).

On 6-9/16" jambs, each side will require two #8 x 1-1/2" screws (see insets in Figure 1 and Figure 2).

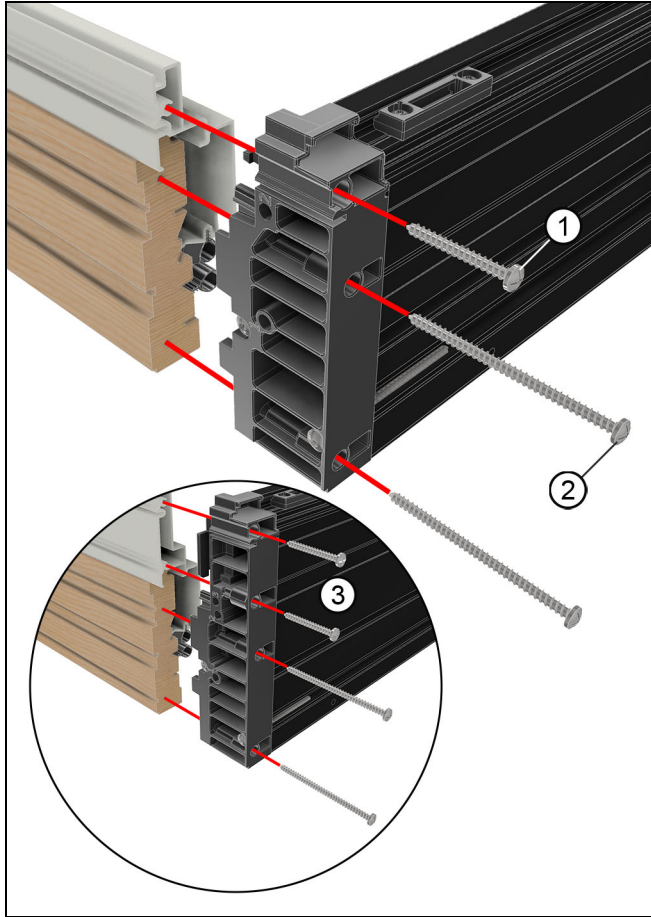


Figure 1 Performance sill

1	#8 x 1 1/2" pan head screw
2	#8 x 3" pan head screws
3	6 9/16" sill uses two screws into the cladding

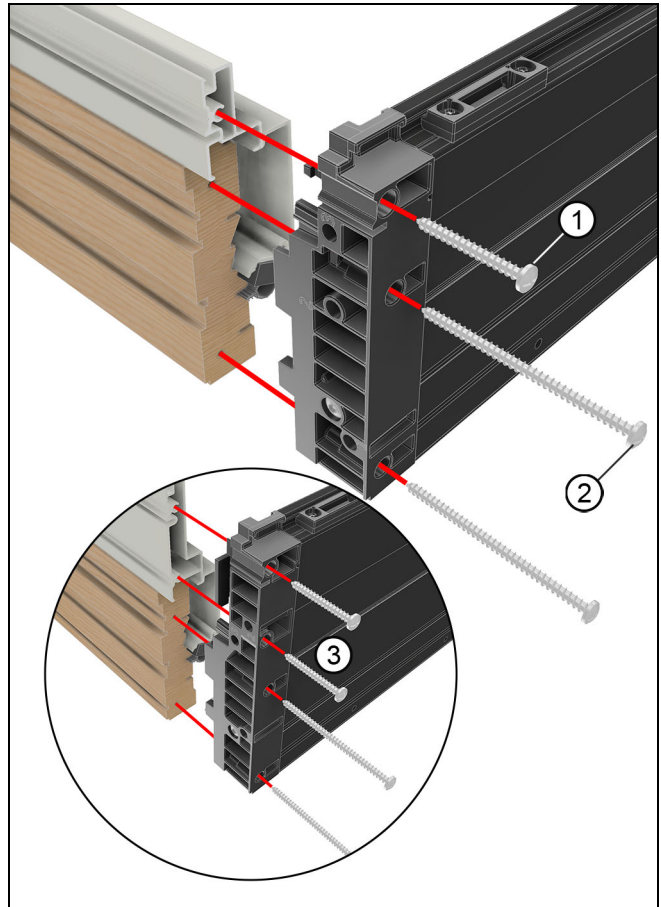


Figure 2 Accessibility sill

1	#8 x 1 1/2" pan head screw
2	#8 x 3" pan head screws
3	6 9/16" sill uses two screws into the cladding

**NOTE:** You may need a longer Philips bit to fully seat these screws. If a shorter bit is used, the screw may not fully seat and the screw could strip out.

2. Repeat for the opposing jamb.

## ATTENTION

Take care when assembling the jamb to the sill to not roll, or cut, the sill gasket. [See Figure 3.](#)

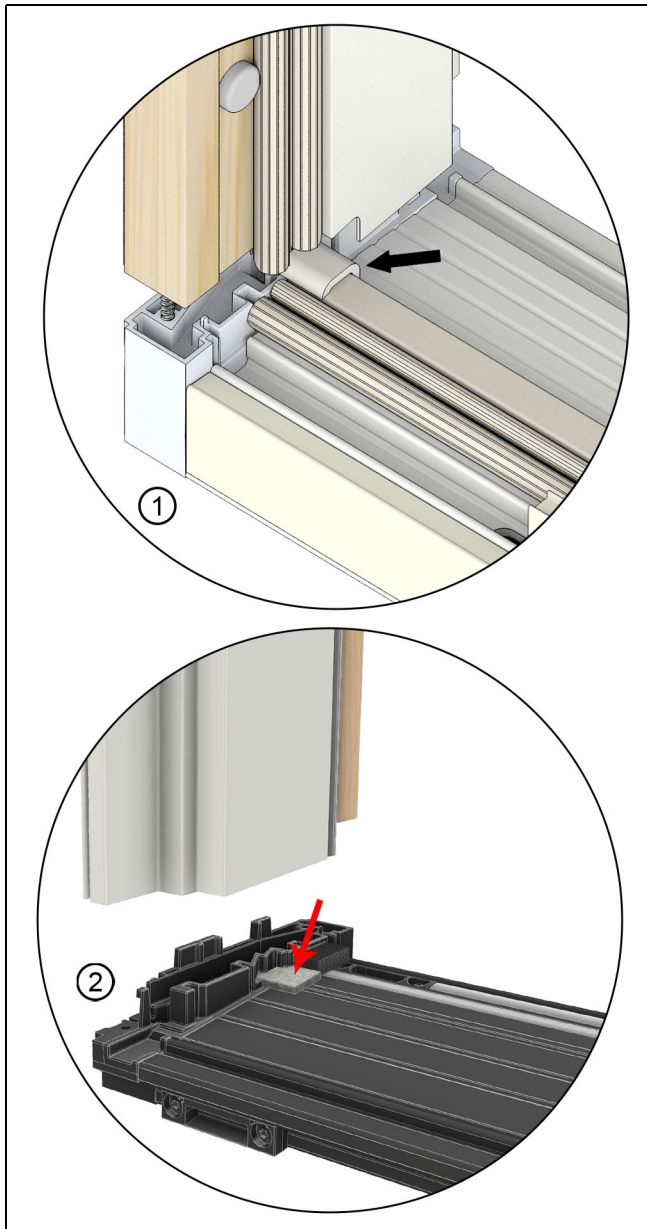


Figure 3

1	Performance sill
2	Accessibility sill

## Head Jamb to Jamb Assembly

1. Align both head jamb keys into the hollows of the jamb clad until fully seated. See [Figure 4](#).



Figure 4

2. Use #7 x 2" screw through the outer-most hole of the head jamb cladding into the screw boss of the jamb cladding (the interior holes on each side are used for injection). See [Figure 5](#).

*NOTE: On 6-9/16" jambs, each side will require two #7 x 2" screws through the head jamb cladding.*



Figure 5

3. Use two #7 x 2" screws to screw through the pre-drilled holes located on the side of the jamb wood into the head jamb wood. Make sure you are pushing the head jamb wood down towards the jamb wood to fully seat it prior to screwing. See [Figure 6](#).

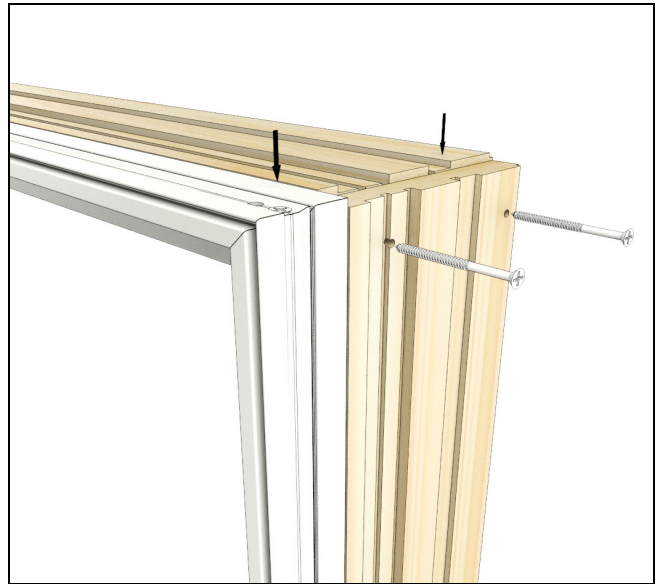


Figure 6

### ATTENTION

Take care when assembling the jamb to the head jamb to not roll, or cut, the sill gasket. See [Figure 7](#).

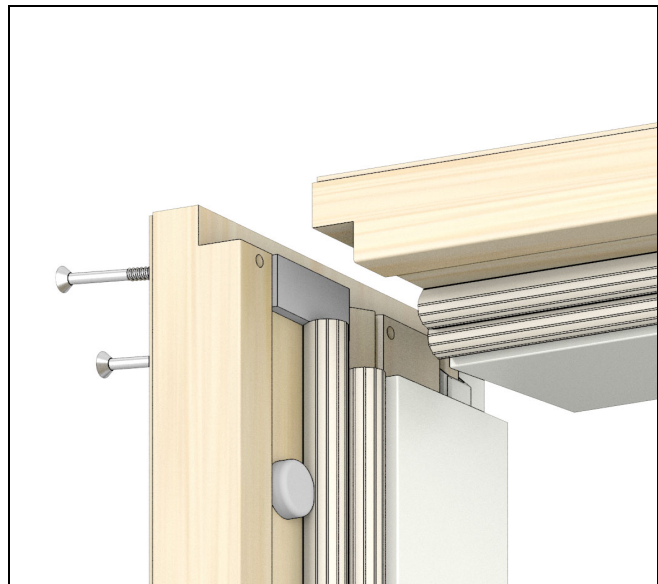


Figure 7

## Injecting the Unit

1. For performance sills, with 4-9/16" jambs, locate the injection hole on the side of the sill key labeled "2". Inject into the key until you see squeeze out in the inspection hole shown below. For accessibility sills, use the injection hole labeled #3. See Figure 8.

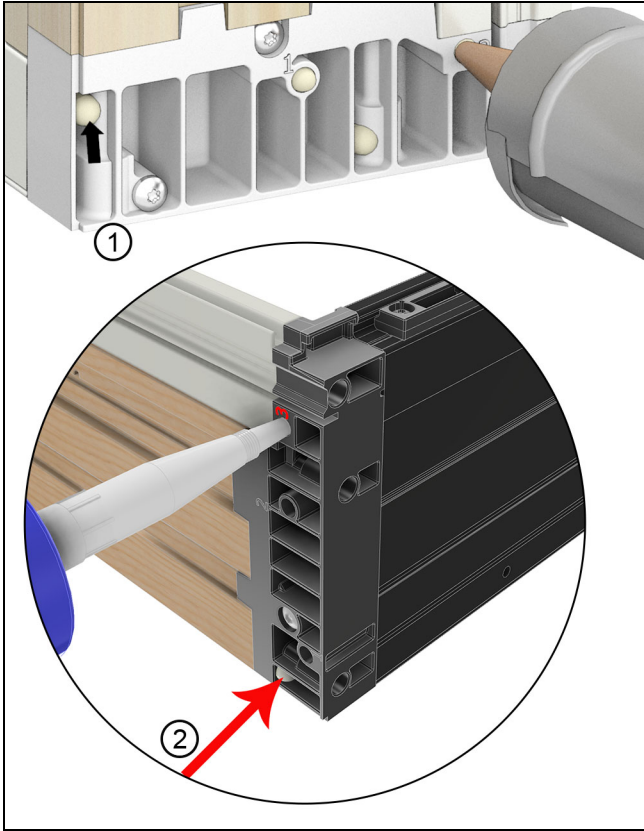


Figure 8 4 9/16"

1	Performance sill
2	Accessibility sill

2. For 6 9/16" Performance sills and all Accessibility sills locate the injection hole labeled "3". Inject into the key until you see squeeze out in the inspection hole shown below. See Figure 9.

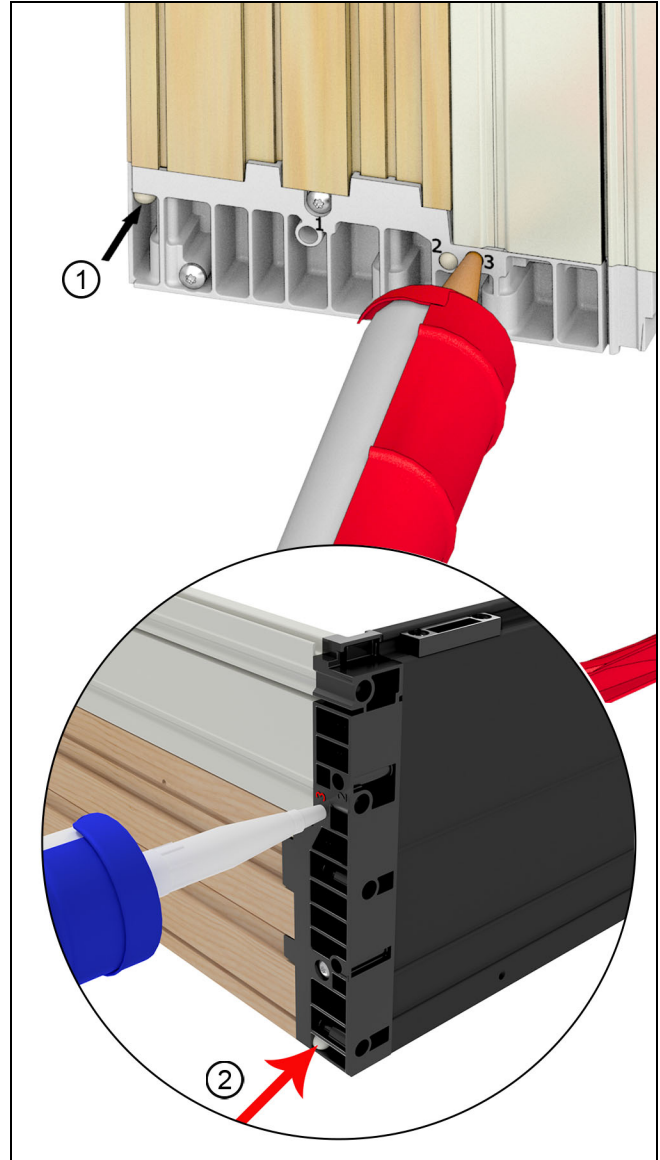


Figure 9 6 9/16"

1	Performance sill
2	Accessibility sill

3. Use the remaining holes in the head jamb cladding to inject the keys. Inject until you see squeeze out in the image shown below. [See Figure 10.](#)

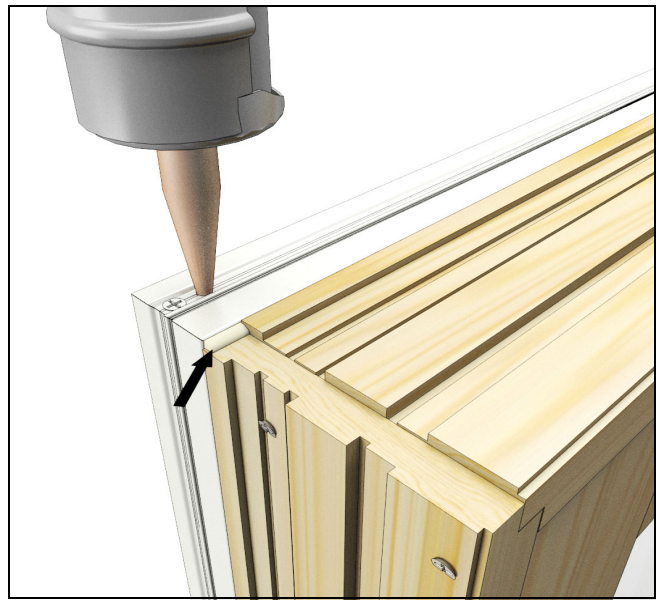


Figure 10

### ***Sill Weather Strip on KD or Panels Shipped Separate***

For doors with accessibility sills or doors sent with panels shipped separate, the sill weather strip will be shipped taped to the panel. The weather strip(s) run the full width of the panel.

1. On active and inactive operator panels as well as interior stationary panels, insert the barbed side of the sill weatherstrip into the bottom of the panel. Rotate the other side to the clad side of the panel and then remove the adhesive backing. Press the weather strip onto the cladding. [See Figure 11.](#)

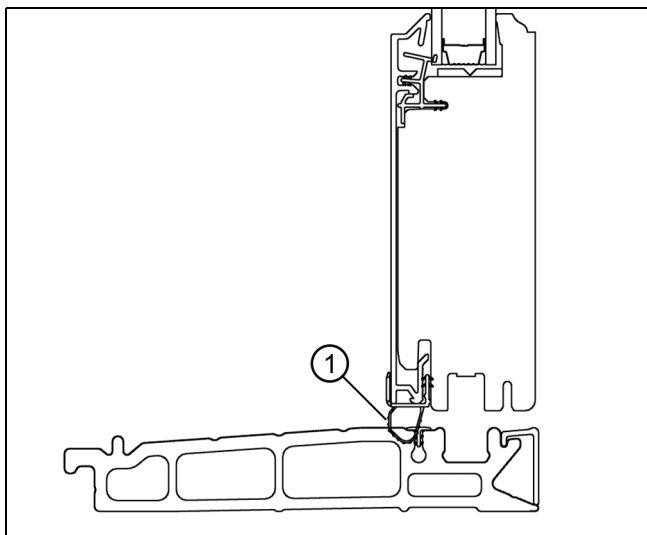


Figure 11

1	Sill weatherstrip
---	-------------------

## Panel Installation- Installing Stationary Panel

1. You will need to evaluate your panel configuration to determine which panel will be installed first into the newly assembled frame. Install stationary panels first, passive panels next, and finally active panels.

2. If the stationary panel is attached to a jamb of the frame, insert the panel into the frame by lining up the groove in the bottom of the panel onto the structural brackets that are screwed down onto the sill. See [Figure 12](#).



Figure 12

3. Slide the panel over to the jamb until it contacts the spacer tacks. Push panel in until it compresses the interior stop weather strip. See [Figure 13](#).

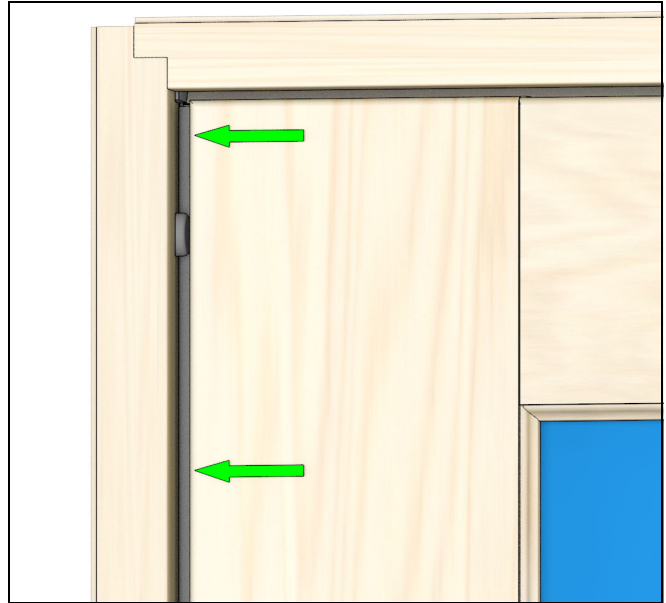


Figure 13

4. Insert the stationary bolt by inserting the top of the bolt into the hole located in the head jamb of the frame. Push the bottom of the bolt until it is flush with the side of the panel. Use two #8 X 3" screws to secure the stationary bolt to the panel. See [Figure 14](#) and [Figure 15](#).



Figure 14





Figure 15

5. Repeat for the bottom stationary bolt. **Do not install an angled screw in the bottom hole.** See [Figure 16](#) and [Figure 17](#).

*NOTE: XOX configurations will have bolts on both sides of the stationary panel.*



Figure 16



Figure 17

6. For doors with an OO panel configuration (such as OO, OOO, XOOX etc.) install the next stationary panel. Use combination squares to flush the panel in place with the frame and previous panel before fastening.

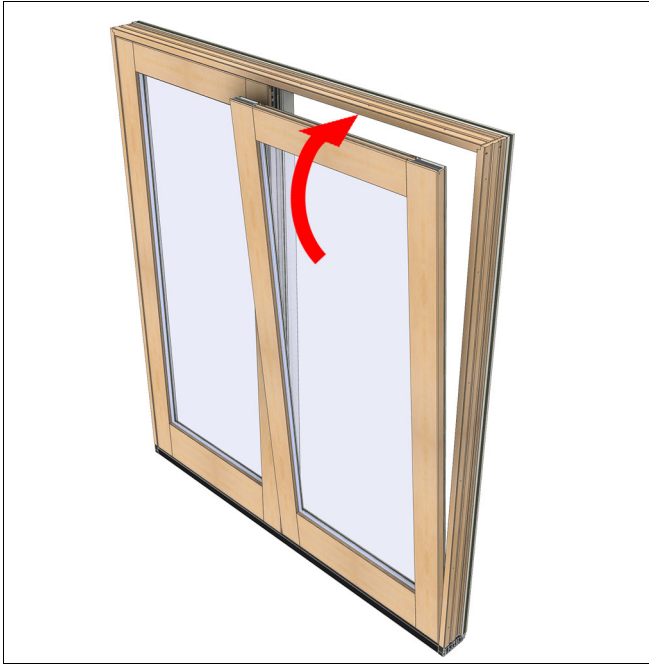


Figure 18

7. On all configurations, fasten the stationary panel to the frame. Locate the pre-drilled installation holes in the exterior of the jamb. While holding the panels in place, pre-drill through the frame and into the panel. Then use #8 X 3" screws to fasten the stationary panel through the jamb. See Figure 23.

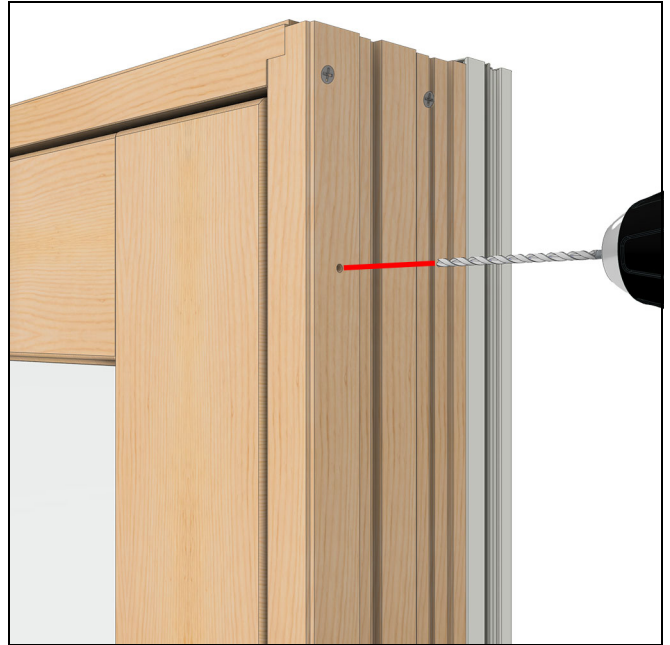


Figure 20



Figure 19



Figure 21



Figure 22

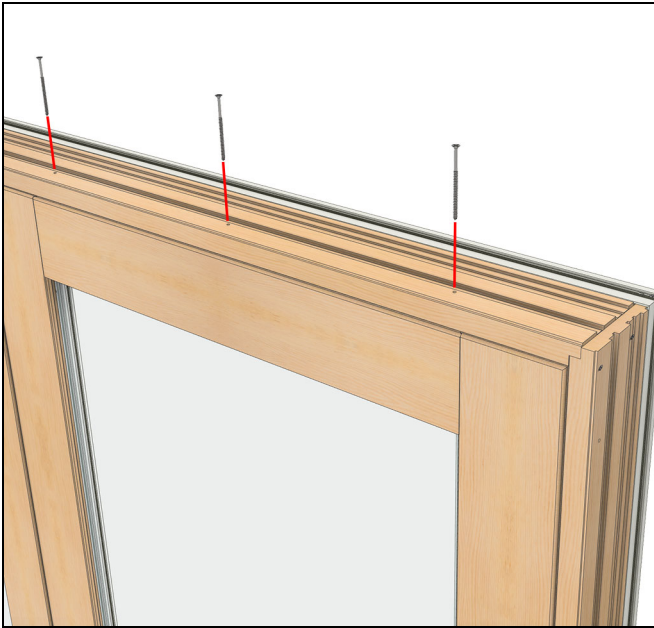


Figure 24

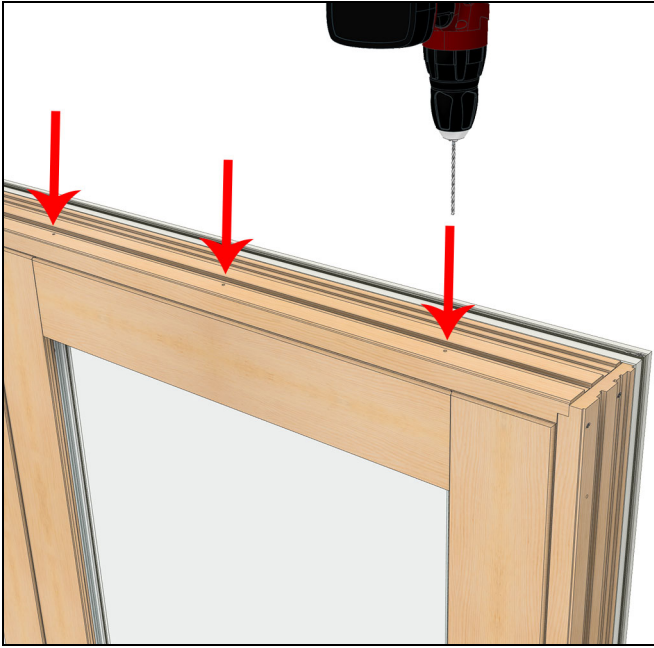


Figure 23

8. Install the sill post reinforcement by aligning it into the sill post base and sliding it down to rest against the sill. Use #8 x 3/8" screw to fasten sill post reinforcement to the sill. Use #8 x 1-7/8" screw to fasten the sill reinforcement to the stationary panel. See Figure 25.

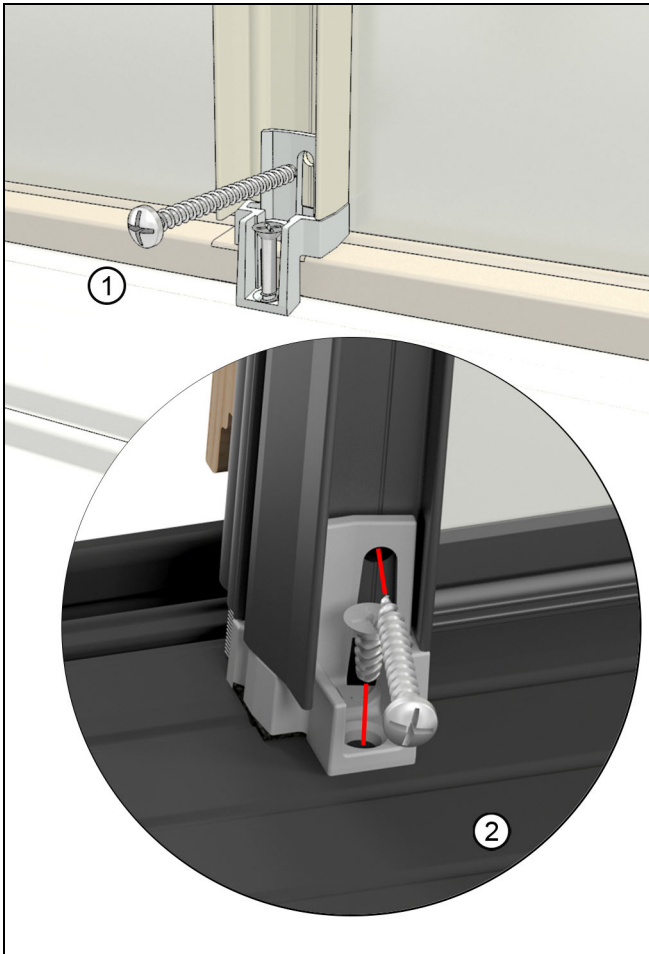


Figure 25

1	Performance sill
2	Accessibility sill

9. Install the head jamb mull post reinforcement by aligning it to the mull post base and sliding it up until it contacts the head jamb. Use #8 x 1-7/8" screw to fasten the mull post reinforcement to the head jamb. Use #8 x 1-7/8" screw to fasten mull post reinforcement to the stationary panel. See Figure 26

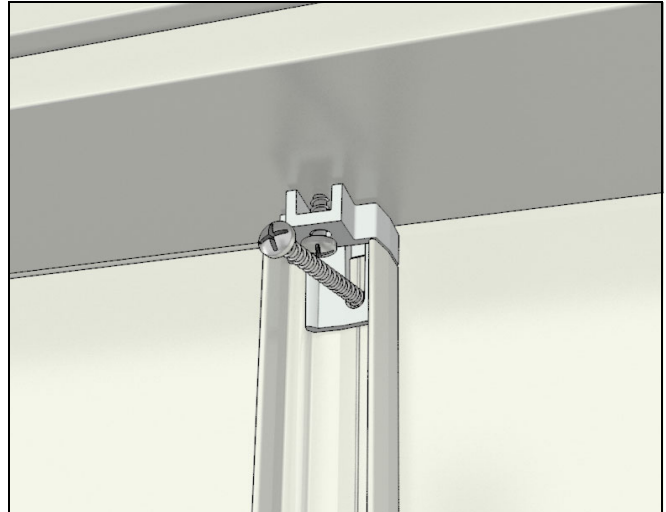


Figure 26

10. Install the mull post cover by centering it on the mull post base. Using a mallet to impact the outer edge of the cover, start from the top and work your way down until it is fully seated. See Figure 27.



Figure 27

11.

## Panel Installation-Installing Operating Panel (Jamb Hinged)

1. You will need to evaluate your panel configuration to determine which panel will be installed first into the newly assembled frame.
2. Stationary panels first, passive panels next and finally active panels
3. Insert jamb hinges into routs located on the jamb. Use #8 X 1-1/2" screws to secure the hinge to the jamb. See [Figure 28](#). Repeat for all hinges.

**NOTE:** You will install a 2 1/2" screw in the second hole from the top during installation.

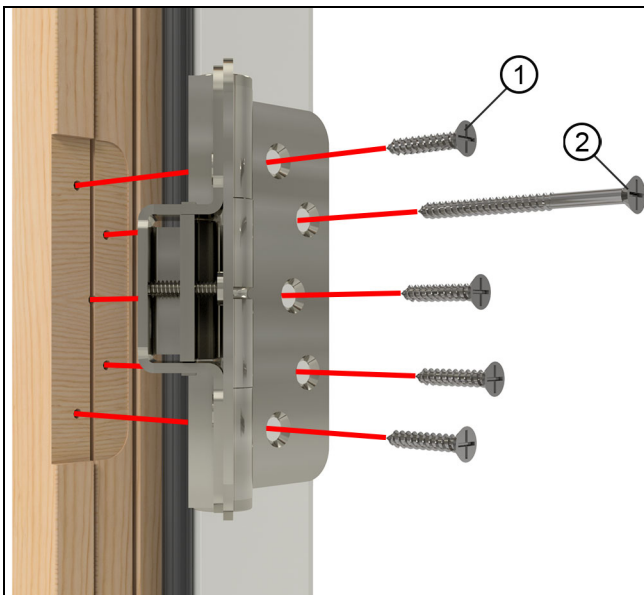


Figure 28

1	1 1/2" screws
2	2 1/2" screw driven into rough opening during installation

4. Fasten the panel leaf on the hinge to the panel with 1 1/2" screws. See [Figure 29](#).

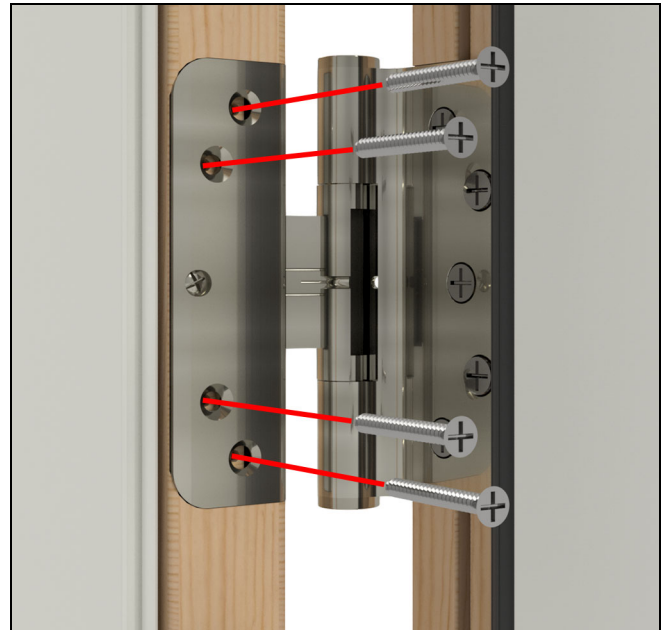


Figure 29

5. Close panel to ensure proper alignment with frame. See [Figure 30](#).

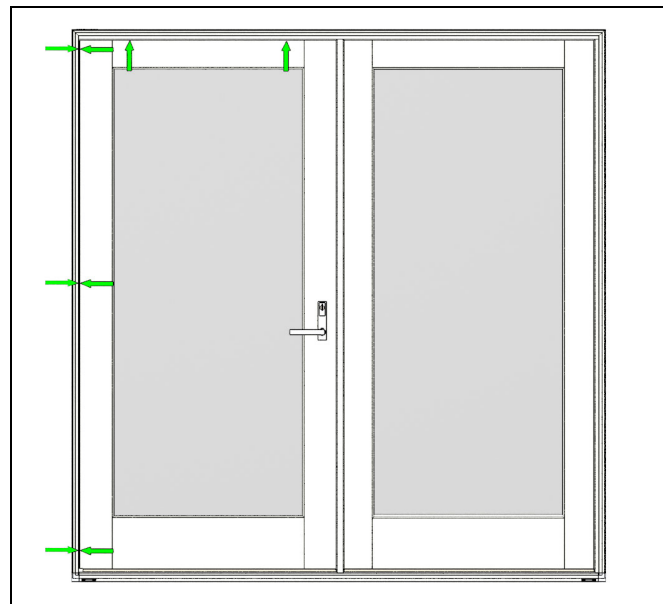


Figure 30

6. Fully lock your panel for installation. See [Figure 31](#).



**Figure 31**

7. For installation details, refer to the Ultimate Inswing Installation Instructions.

## Panel Installation-Installing Operating Panel (Panel Hinged)

1. You will need to evaluate your panel configuration to determine which panel will be installed first into the newly assembled frame.
2. Stationary panels first, passive panels next and finally active panels.
3. Insert stationary panel hinges into routs located on the stationary panel. Use #8 X 1" screws to secure the hinge to the panel. See [Figure 32](#). Repeat for all hinges.

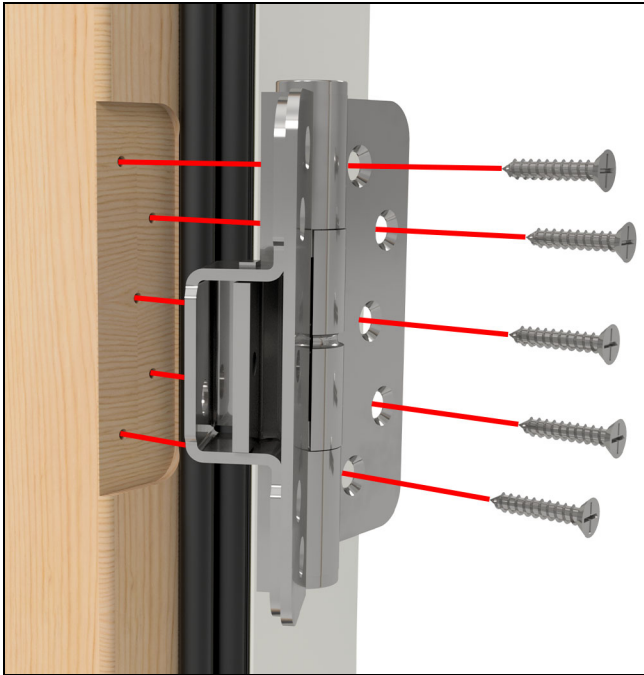


Figure 32 Exterior view

4. Fasten the hinge to the operating panel using #8 X 1" screws. See [Figure 33](#). Repeat for all hinges.

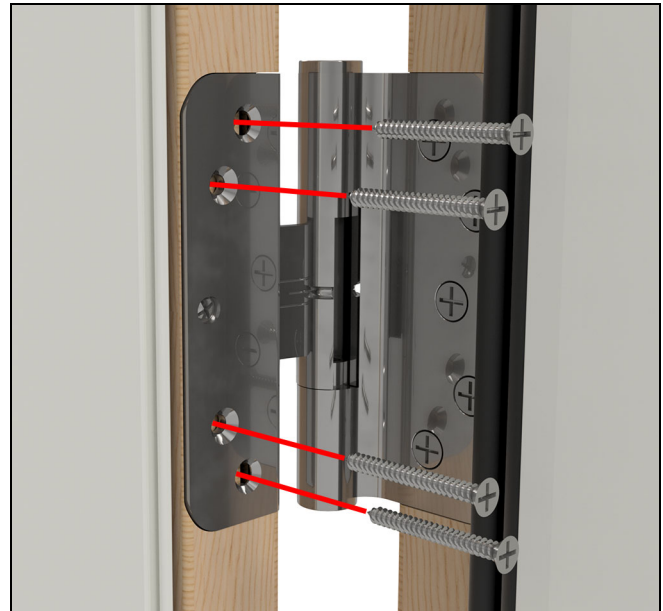


Figure 33

5. Close panel to ensure proper alignment with frame. See [Figure 34](#).

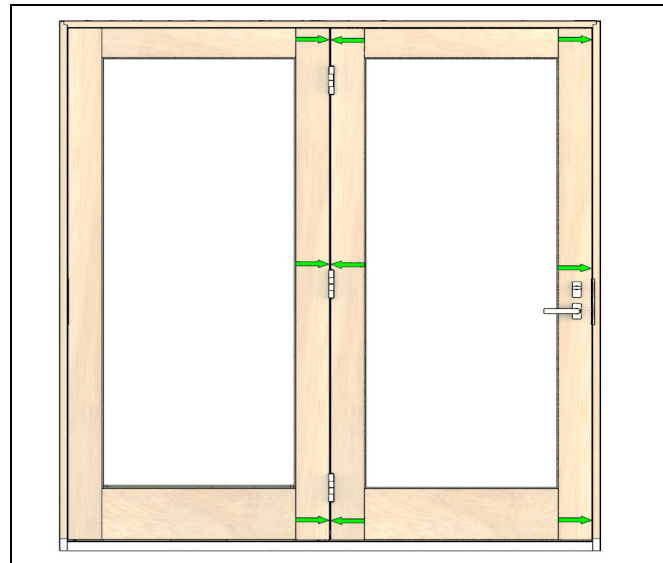
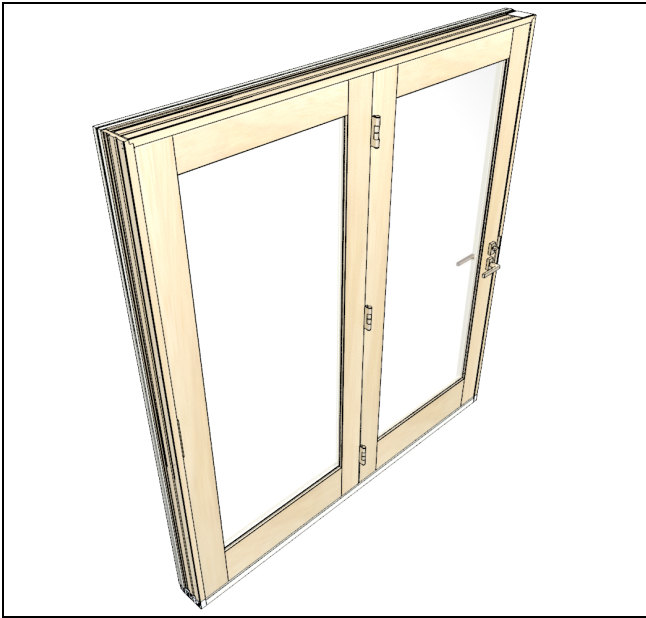


Figure 34

6. Fully lock your panel for installation. See [Figure 35](#).



**Figure 35**

7. For installation details, refer to the Ultimate Inswing Installation Instructions.